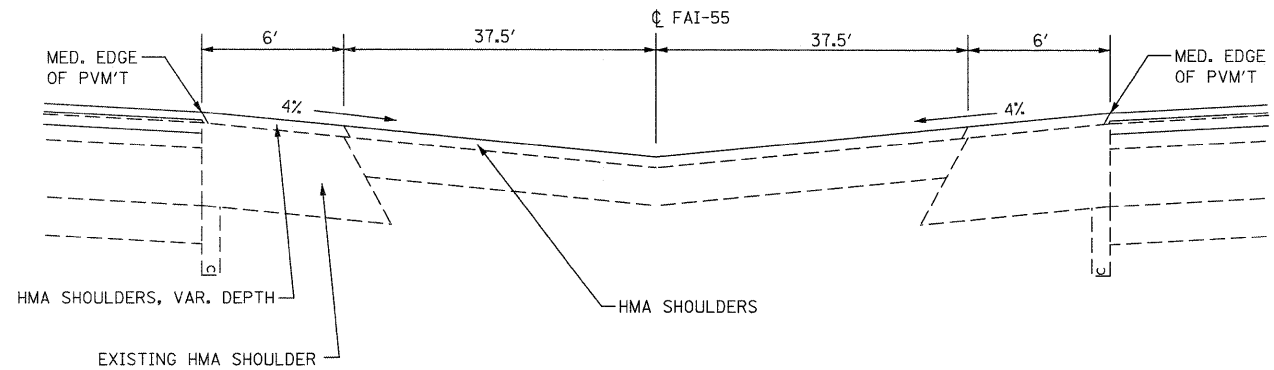
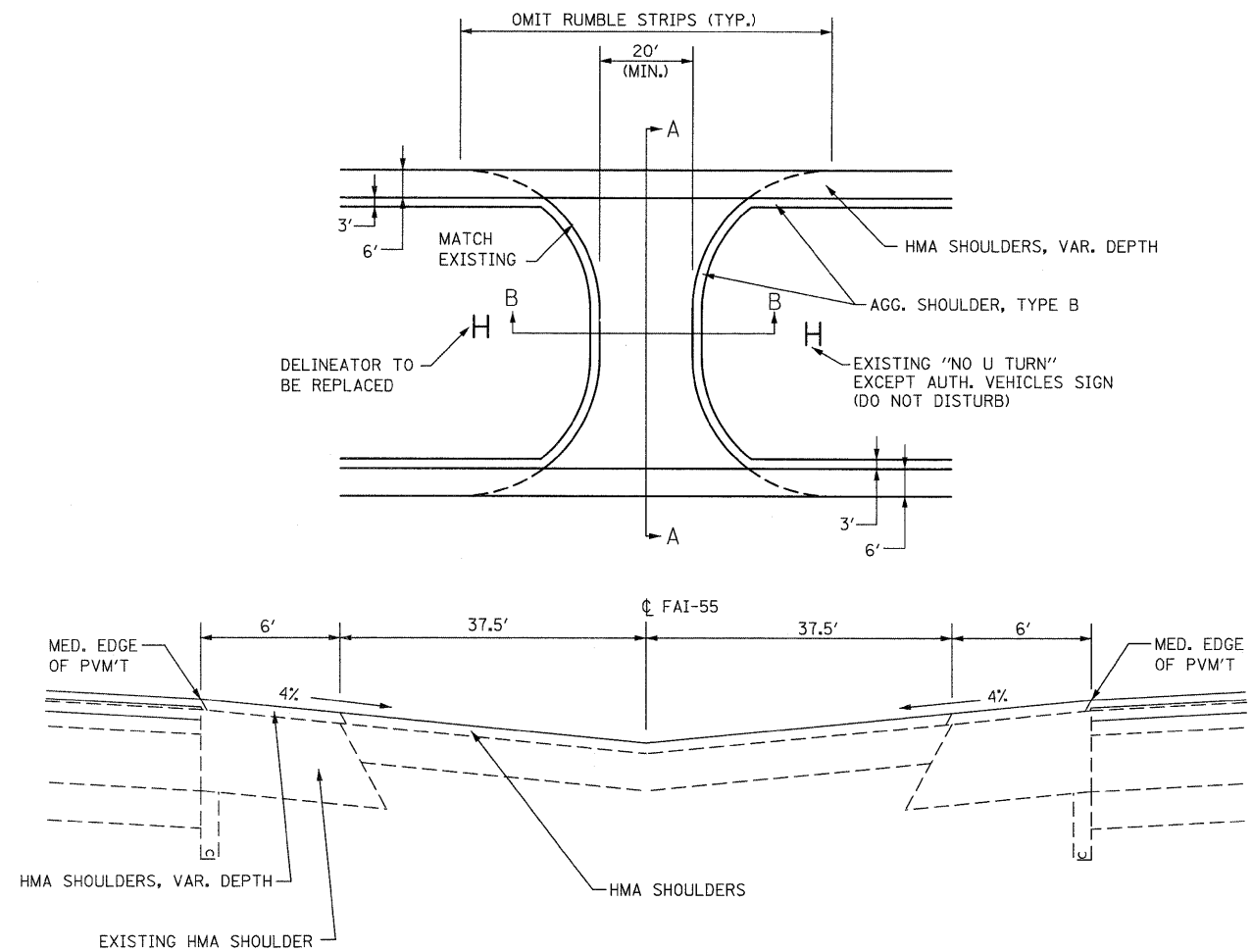
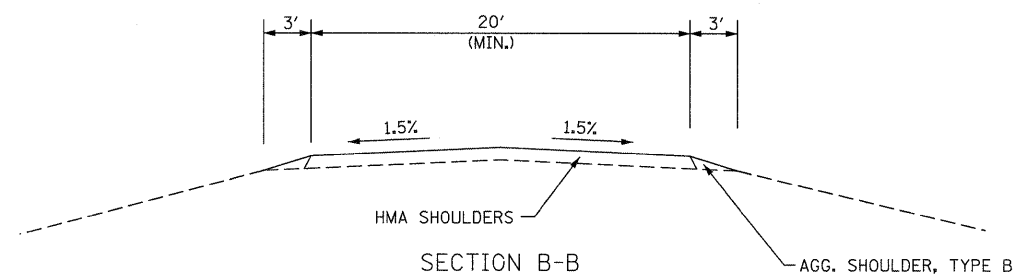


MEDIAN CROSS-OVER DETAIL



SECTION A-A

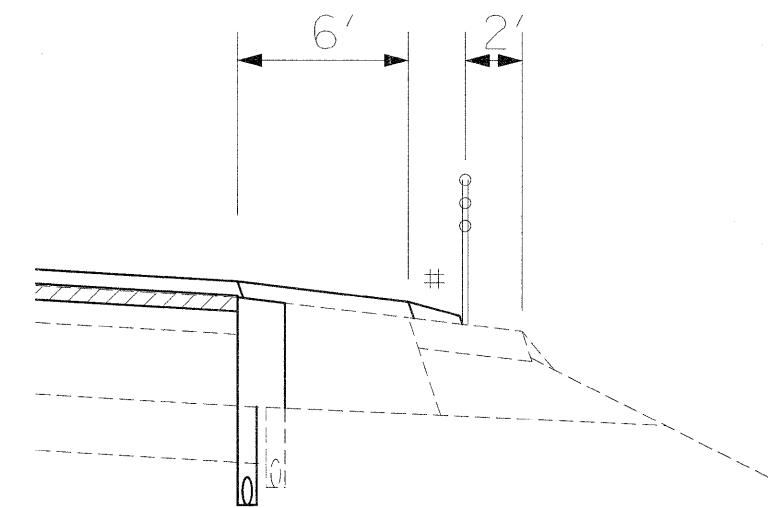


SECTION B-B

LOCATION
STA. 394+15.50

NOTE:

TWO DELINEATORS SHALL BE PLACED 800' EACH DIRECTION IN ADVANCE AND ONE DELINEATOR AT THE MEDIAN CROSSOVER AT STA. 394+15.50. THE DELINEATOR AT THE CROSSOVER SHALL HAVE TWO REFLECTORS, AND THE DELINEATORS 800' IN ADVANCE SHALL HAVE THREE REFLECTORS EACH.



TAPER FROM 3" TO 3/4" IN 2'
SLOPE VARIES

BITUMINOUS TAPER @ CABLE MEDIAN BARRIER

FILE NAME =	USER NAME = conoverpj	DESIGNED -	REVISED -	STATE OF ILLINOIS DEPARTMENT OF TRANSPORTATION	DETAILS	F.A.I. RTE.	SECTION	COUNTY	TOTAL SHEETS	SHEET NO.
ca:\pw\work\p\dot\conoverpj\d0128605\d0128605-sht-plen.dgn	6501-sht-plen.dgn	DRAWN -	REVISED -			55	60-3RS-1, 60-(3HB, 3HB-1)	MADISON	123	81
PLOT SCALE = 50.0000' / IN.		CHECKED -	REVISED -			CONTRACT NO. 76601				
PLOT DATE = 6/23/2010		DATE -	REVISED -			FED. ROAD DIST. NO. ILLINOIS FED. AID PROJECT				
SCALE: _____ SHEET NO. 2 OF 2 SHEETS STA. _____ TO STA. _____										