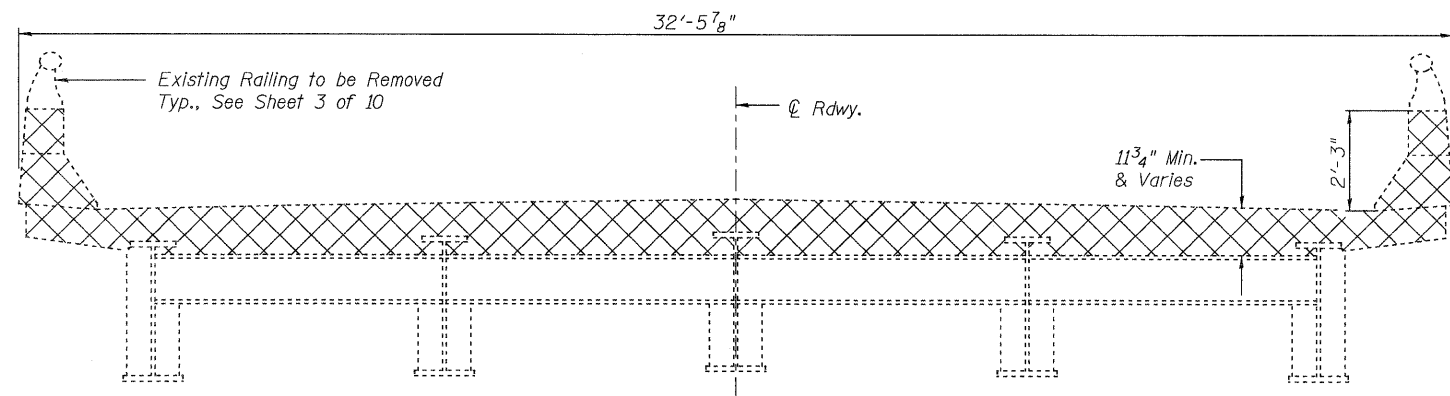
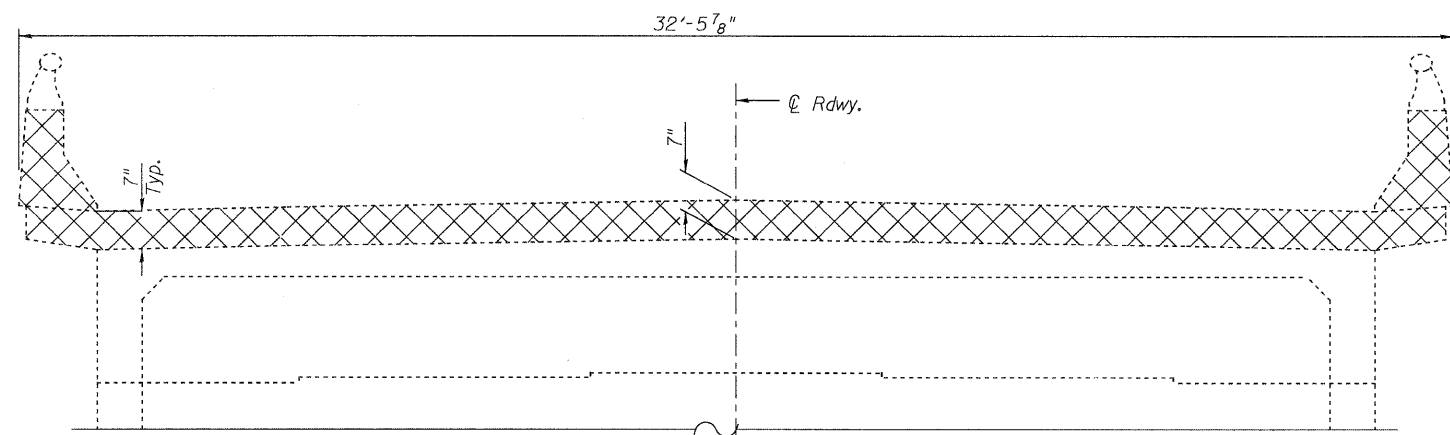


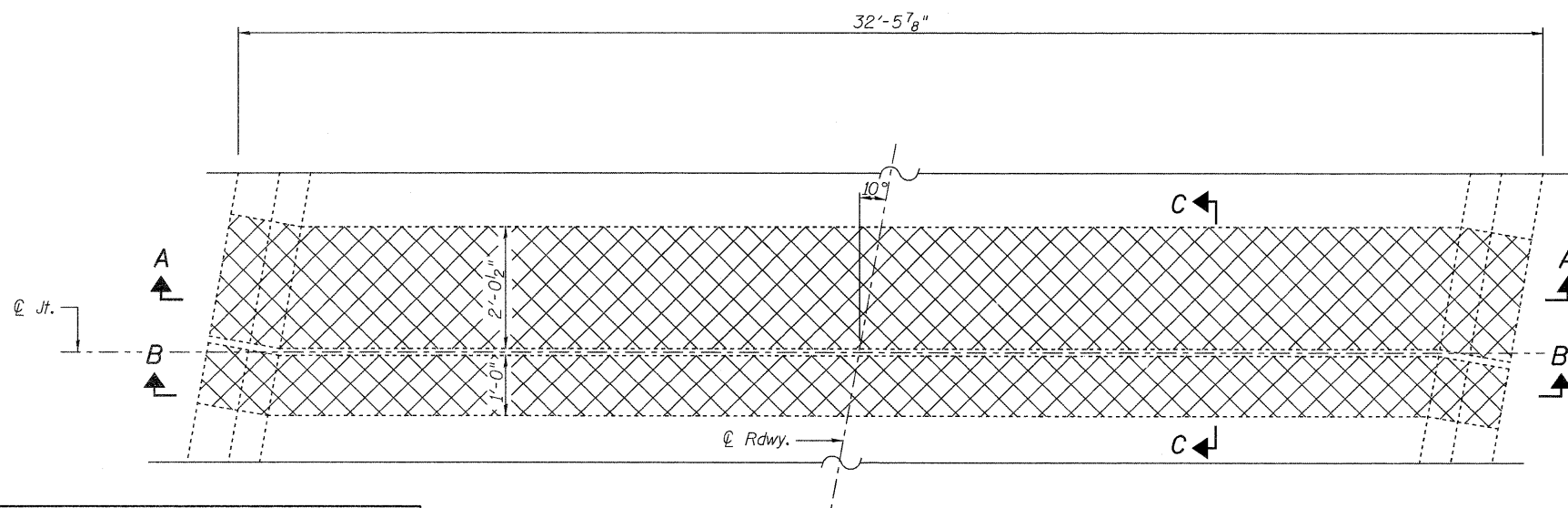
STATE OF ILLINOIS
DEPARTMENT OF TRANSPORTATION



SECTION A-A

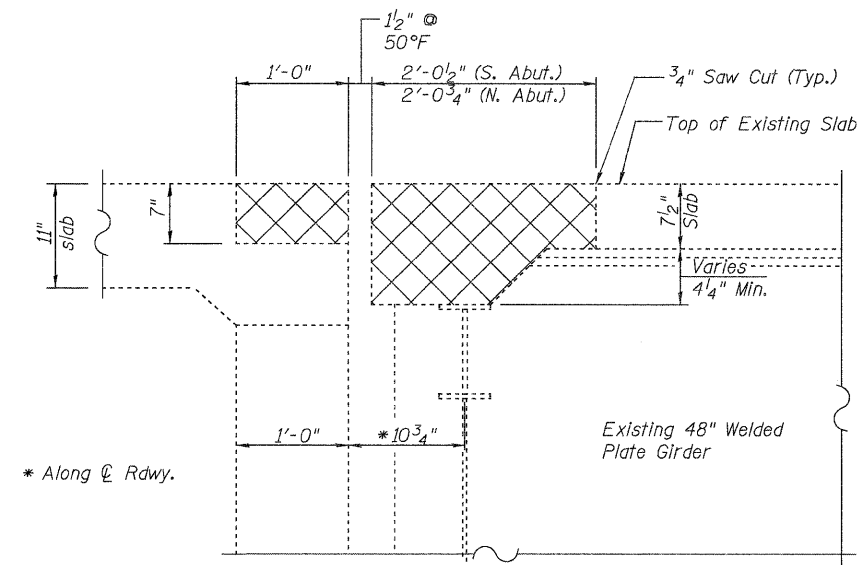


SECTION B-B



PLAN

(South abutment shown, North abutment similar)



SECTION C-C

(Dimensions at Rt. L's)

Notes:

1. Cross hatched area indicates concrete removal.
2. Existing reinforcement bars in the concrete removal area extending in new construction shall be cleaned and incorporated into the new construction. Cost included with Concrete Removal.
3. Any reinforcement bars that are damaged during concrete removal operations shall be repaired or replaced using an approved bar splicer or anchorage system, in accordance with IDOT Standard Specifications Article 501.03. Cost included with Concrete Removal.

BILL OF MATERIAL

(Two Abutments)

Item	Unit	Total
Concrete Removal	Cu. Yd.	7.0

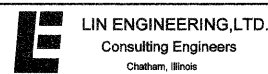
EXPANSION JOINT CONCRETE REMOVAL
STRUCTURE NO. 060-0195

SHEET 4 OF 10	F.A.I. RTE.	SECTION	COUNTY	TOTAL SHEETS	SHEET NO.
	55	60-3RS-1, 60-(3HB,3HB-1)I	MADISON	123	86
	STA. 410+18.00		CONTRACT NO. 76601		
FED. ROAD DIST. NO.		ILLINOIS FED. AID PROJECT			

FILE: J:\JDO\10185 IL-DBVW*9 1-55 Madison Bridge Repairs\Linengr\060-0195.dgn

USER: DCD

DATE: 06/22/2010 2:13:56



LIN ENGINEERING, LTD.
Consulting Engineers
Chatham, Illinois

DESIGNED: ESH	DRAWN: RH
CHECKED: MTH	CHECKED: MTH