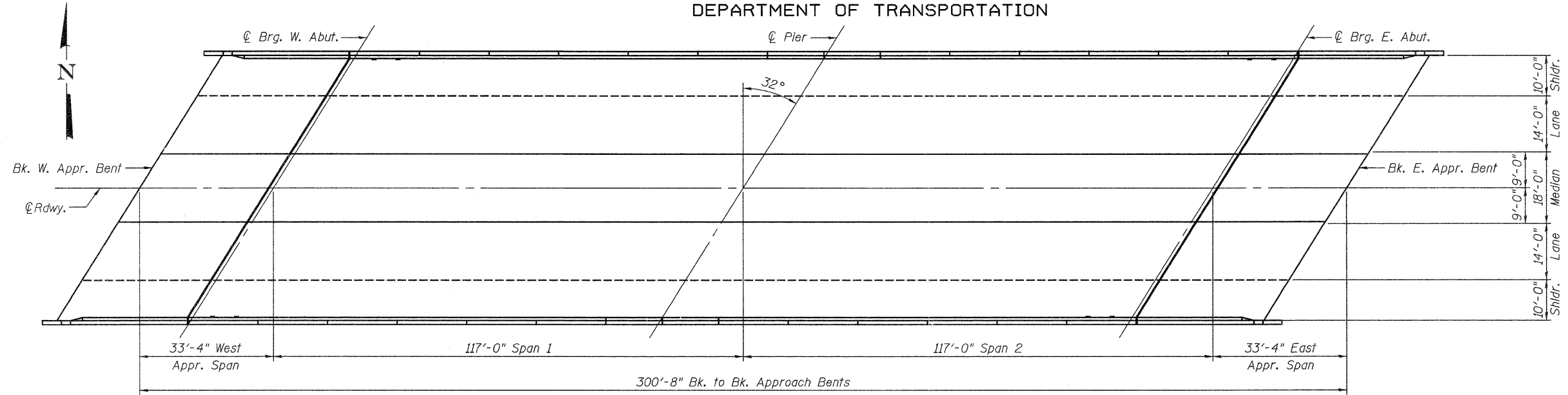
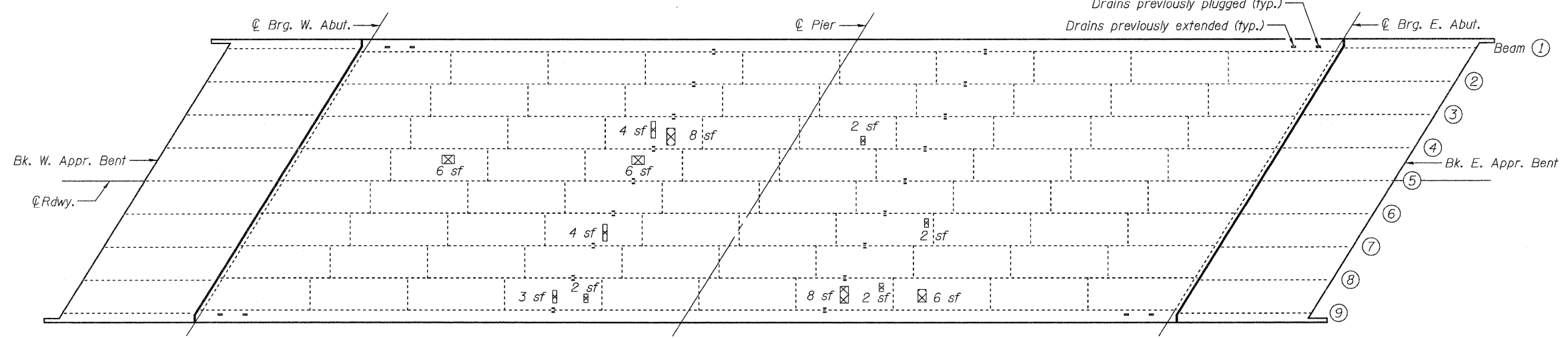


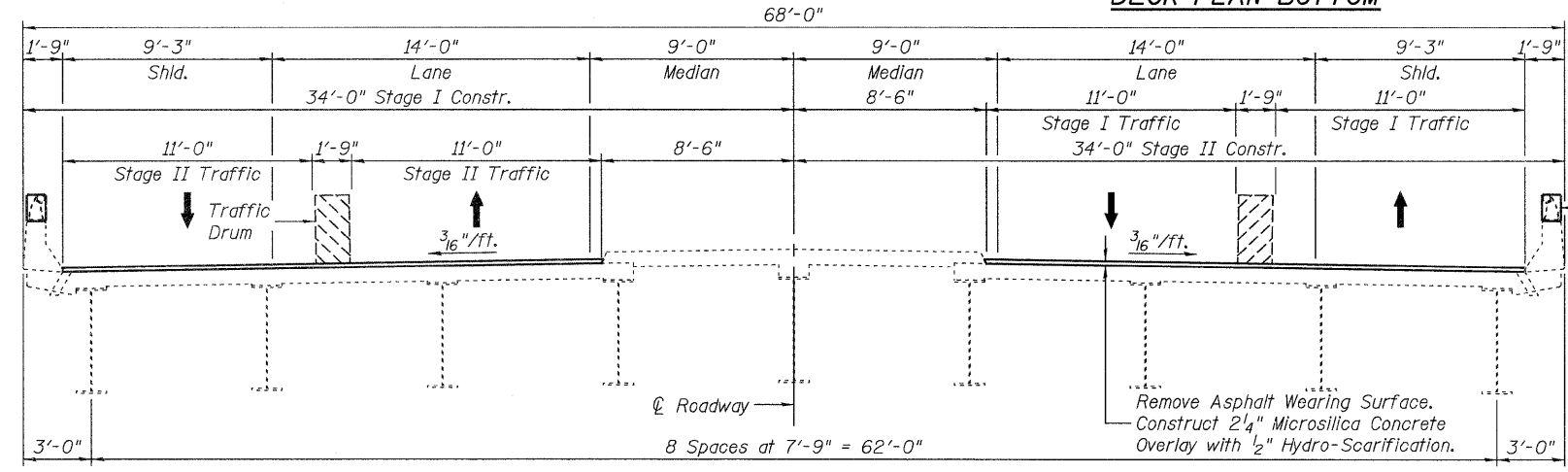
STATE OF ILLINOIS
DEPARTMENT OF TRANSPORTATION



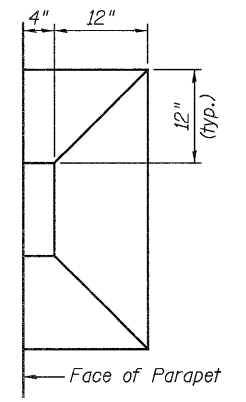
DECK PLAN-TOP



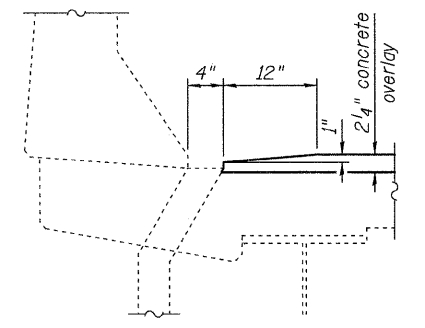
DECK PLAN-BOTTOM



CROSS SECTION
(Looking East)



PLAN



SECTION

DETAILS AT DECK DRAIN

LEGEND

Spalled Concrete with Exposed Reinf.

Concrete Parapet Extension
(See Sheet 3 of 11)

Notes:
Deck Condition Survey performed 4/15/2010.

Plan quantities assume that areas of "exposed reinforcing" greater than 5 sq. ft. will use Full-depth Type II repair. Other areas are shown for information only.

Repair areas are estimated, the Engineer shall determine actual repair locations and record them on the As-Built plans.

Partial depth repairs shall be included with Bridge Deck Hydro-scarification, see Special Provision for Bridge Deck Microsilica Concrete Overlay.

BILL OF MATERIAL

Item	Unit	Total
Deck Slab Repair (Full Depth, Type II)	Sq. Yd.	4

DECK REPAIRS
STRUCTURE NO. 060-0198

F.A.I. RTE.	SECTION	COUNTY	TOTAL SHEETS	SHEET NO.
55	60-3RS-1, 60-(3HB,3HB-1)I	MADISON	123	94
STA. 363+22.00		CONTRACT NO.	76601	
FED. ROAD DIST. NO.		ILLINOIS FED. AID PROJECT		

JD Johnson, Depp & Quisenberry
CONSULTING ENGINEERS
Springfield, Illinois

DESIGNED: CMV DRAWN: P. Ray
CHECKED: DCD CHECKED: CMV/DCD

FILE: J:\JDD\101095_IL-08\W99_1-55_Madison_Bridge_Repairs\2-NewDouglasRd\0600198-76601-02-deck.dgn
 USER: DCD SAVE DATE: 6/22/2010 PRINT DATE: 06/22/2010 17:42:08