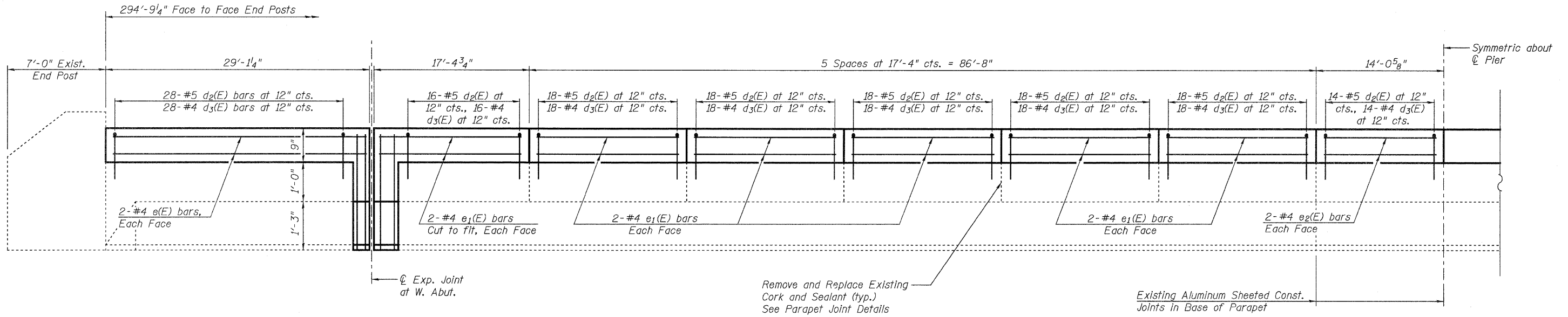


STATE OF ILLINOIS
DEPARTMENT OF TRANSPORTATION

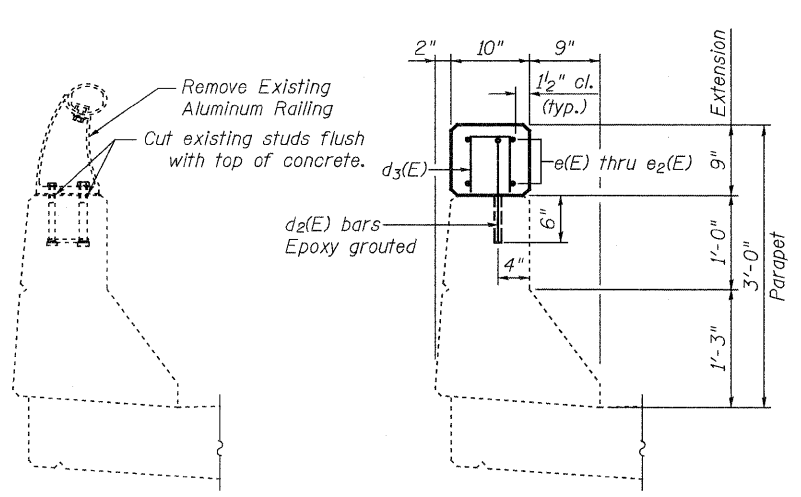


Note:
Work this sheet with sheet 5 of 11.

INSIDE ELEVATION OF PARAPET
(North Parapet Shown, South Parapet Similar)
(Dimensions Measured Along Front Face of Parapet)

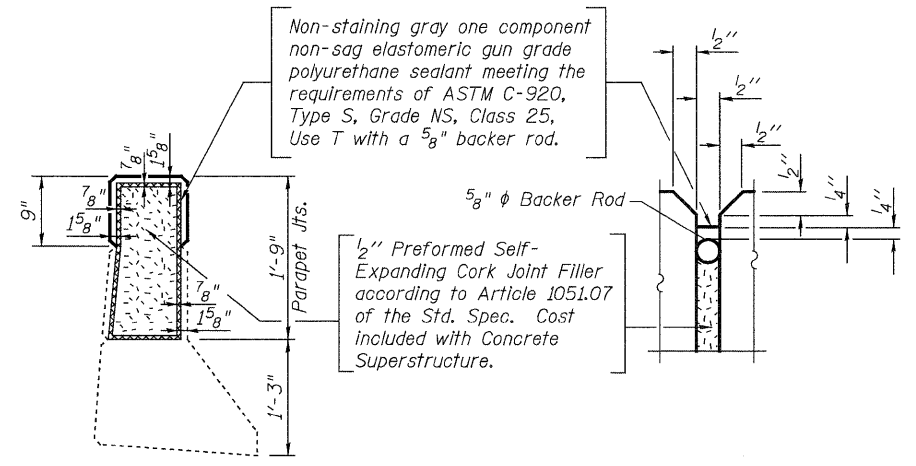
BILL OF MATERIAL

Bar	No.	Size	Length	Shape
d ₂ (E)	592	#5	1'-7"	L
d ₃ (E)	592	#4	1'-7"	Π
e(E)	16	#4	28'-10"	—
e ₁ (E)	96	#4	17'-0"	—
e ₂ (E)	16	#4	13'-9"	—
Reinforcement Bars, Epoxy Coated		Pound		3150
Concrete Superstructure		Cu. Yd.		13.6
Bridge Rail Removal		Foot		591

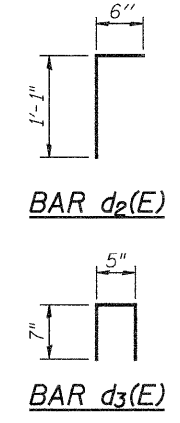


BRIDGE RAIL REMOVAL

SECTION THRU PARAPET



PARAPET JOINT DETAILS



BAR d₂(E)

BAR d₃(E)

CONCRETE PARAPET EXTENSION DETAILS
STRUCTURE NO. 060-0198

LIN ENGINEERING, LTD. Consulting Engineers Chatham, Illinois	
DESIGNED: ESH	DRAWN: RH
CHECKED: MTH	CHECKED: MTH

SHEET 3 OF 11	F.A.I. RTE.	SECTION	COUNTY	TOTAL SHEETS	SHEET NO.
	55	60-3RS-1, 60-(3HB,3HB-1)I	MADISON	123	95
	STA. 363+22.00		CONTRACT NO. 76601		
FED. ROAD DIST. NO.		ILLINOIS FED. AID PROJECT			

FILE: J:\J00\10195 IL-08VVWg I-55 Madison Bridge Repairs\LinEngr\060-0198.dgn
USER: DCD
DATE: 06/22/2010 16:25:04