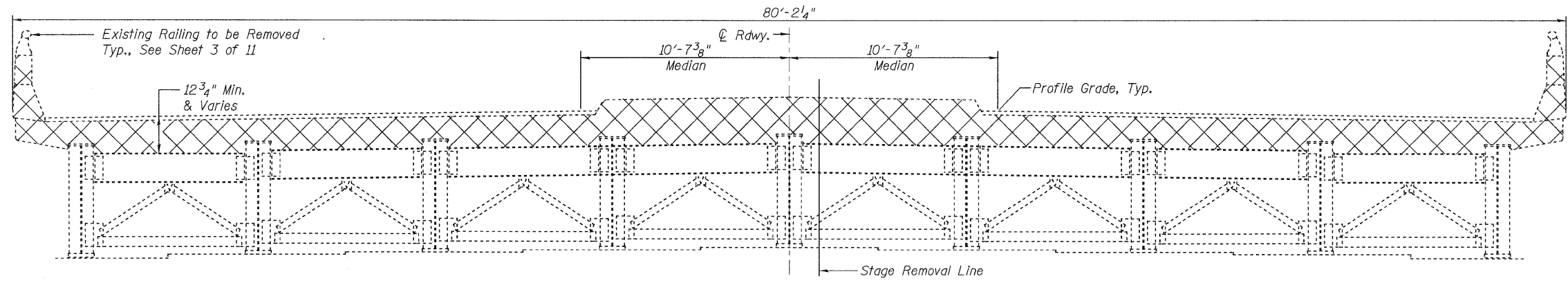
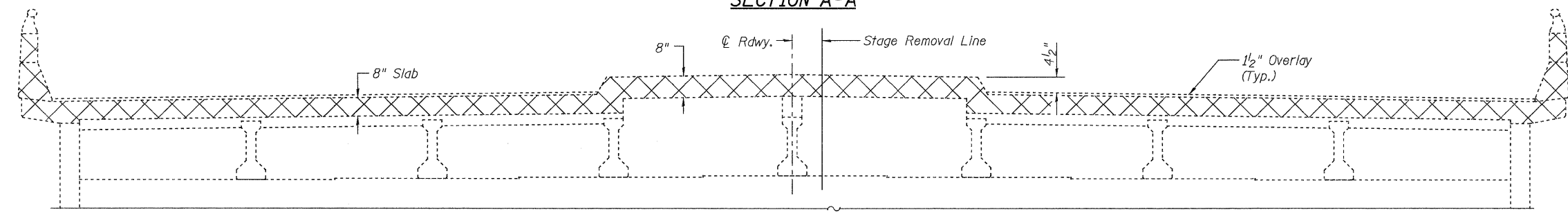


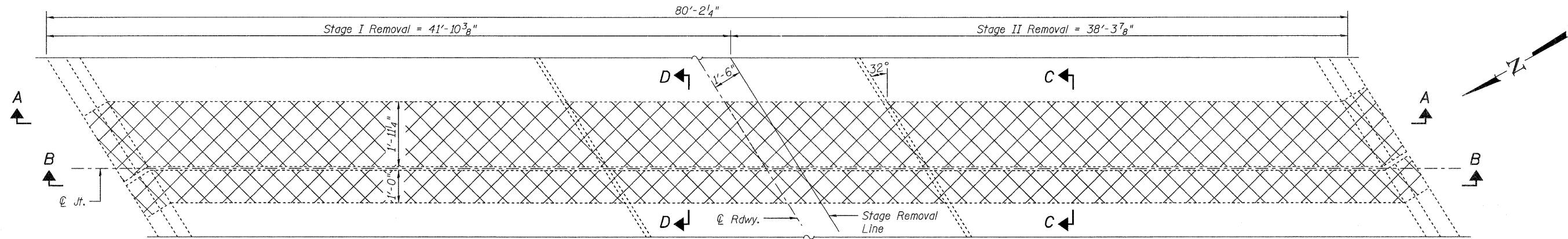
STATE OF ILLINOIS  
DEPARTMENT OF TRANSPORTATION



SECTION A-A



SECTION B-B

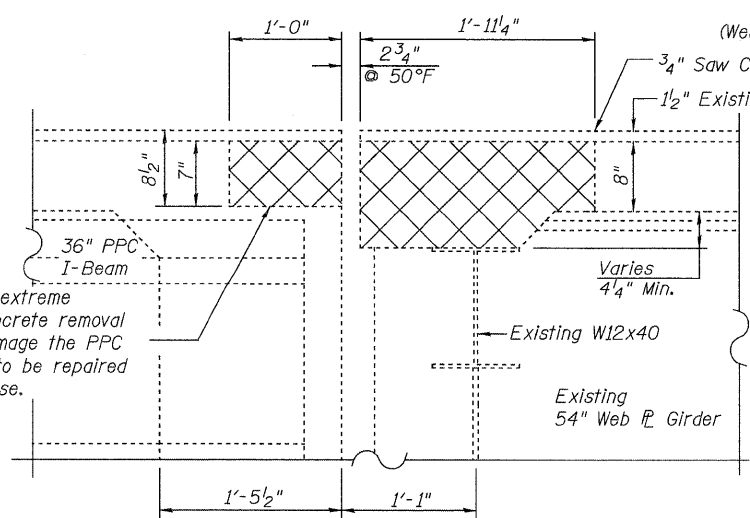


PLAN

Notes:

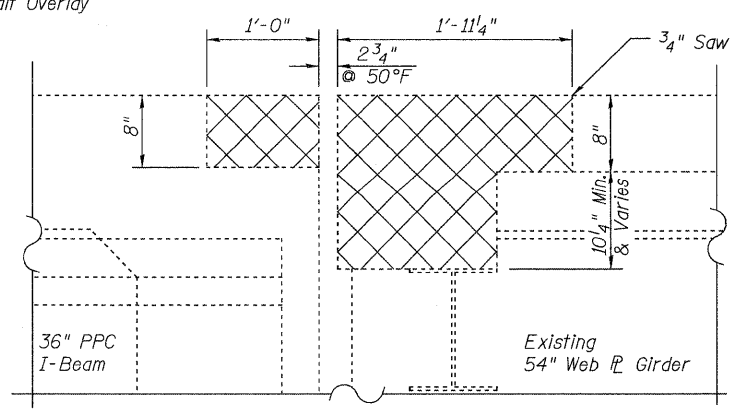
1. Cross hatched area indicates concrete removal.
2. Existing reinforcement bars in the concrete removal area extending in new construction shall be cleaned and incorporated into the new construction. Cost included with Concrete Removal.
3. Any reinforcement bars that are damaged during concrete removal operations shall be repaired or replaced using an approved bar splicer or anchorage system, in accordance with IDOT Standard Specifications Article 501.03. Cost included with Concrete Removal.
4. Asphalt Overlay removal is a separate pay item (not included with pay item Concrete Removal.)

Contractor shall exercise extreme care while performing concrete removal in this area as not to damage the PPC I-beams. Any damage is to be repaired at the Contractor's expense.



SECTION C-C

(Dimensions at Rt. L's)



SECTION D-D

(Dimensions at Rt. L's)

BILL OF MATERIAL  
(Two Abutments)

Item	Unit	Total
Concrete Removal	Cu. Yd.	16.4

EXPANSION JOINT CONCRETE REMOVAL  
STRUCTURE NO. 060-0198

SHEET 4 OF 11	F.A.I. RTE.	SECTION	COUNTY	TOTAL SHEETS	SHEET NO.
	55	60-3RS-1, 60-(3HB,3HB-1)I	MADISON	123	96
	STA. 363+22.00		CONTRACT NO. 76601		
FED. ROAD DIST. NO.		ILLINOIS FED. AID PROJECT			

**LIN ENGINEERING, LTD.**  
Consulting Engineers  
Chatham, Illinois

DESIGNED: ESH	DRAWN: RH
CHECKED: MTH	CHECKED: MTH

DATE: 06/22/2010 18:25:06 USER: DCD FILE: J:\JDO\10095 IL-08VW9g I-55 Madison Bridge Repairs\LInengr\060-0198.dgn