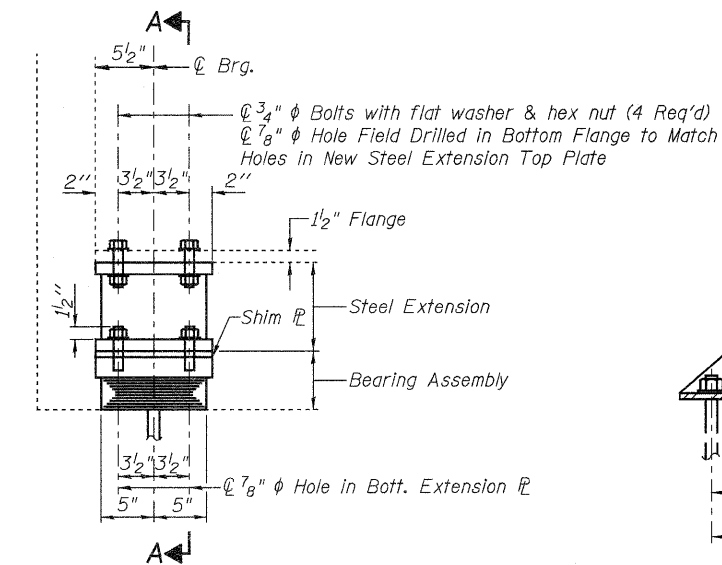
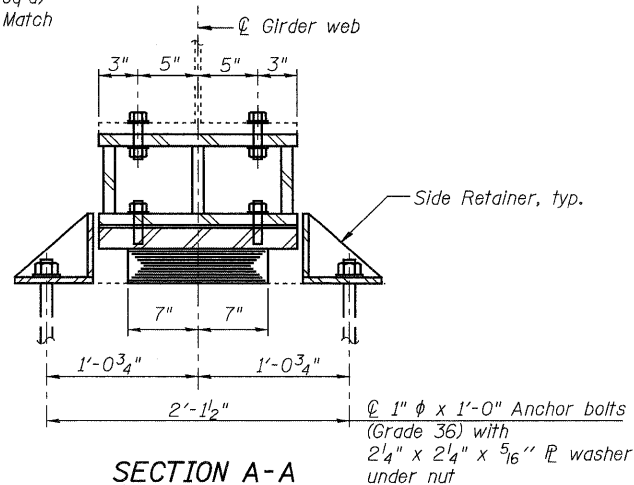


STATE OF ILLINOIS
DEPARTMENT OF TRANSPORTATION



ELEVATION AT ABUT.

TYPE I ELASTOMERIC EXP. BRG.



SECTION A-A

Notes:

Hatch area indicates Bearing removal. See Special Provision for Jack and Remove Existing Bearings.

Anchor bolts shall be ASTM F1554 all-thread (or an Engineer-approved alternate material) of the grade(s) and diameter(s) specified. ASTM A307 Grade C anchor bolts may be used in lieu of ASTM F1554 Grade 36 (Fy=36ksi). The corresponding specified grade of AASHTO M314 anchor bolts may be used in lieu of ASTM F1554.

Drilled and set anchor bolts shall be installed according to Article 52L06 of the Standard Specifications.

Two 3/8 in. adjusting shims shall be provided for each bearing in addition to all other plates or shims and placed as shown on bearing details.

The Contractor is to verify the existing dimensions prior to fabricating the steel extensions. It is intended to keep the existing beams at their current elevation. Existing bearing dimensions shown are copied from the original plans.

Side retainers, Fasteners and other steel members required for the bearing assembly shall be included in the cost of Elastomeric Bearing Assembly, Type I.

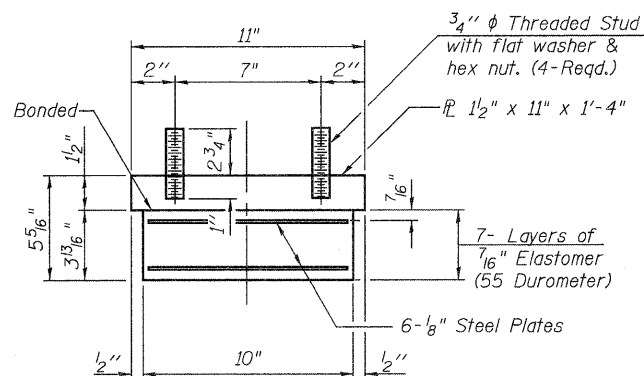
Fasteners shall be AASHTO M164 Type 1, mechanically galvanized bolts.

Cost of steel extensions is included with Furnishing and Erecting Structural Steel.

The abutment bearings shall be in place and the jacks lowered before the new concrete deck is poured at the abutments.

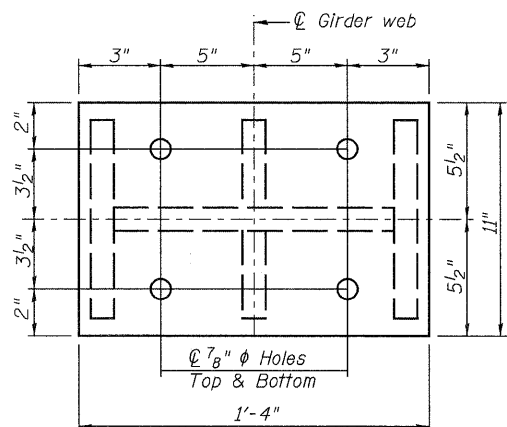
Diaphragm removal and replacement may be required to facilitate drilling holes. Cost shall be included with Furnishing and Erecting Structural Steel.

If web stiffeners are not present directly over the jack location, hardwood timbers shall be installed tightly between top and bottom flanges to prevent rotation.

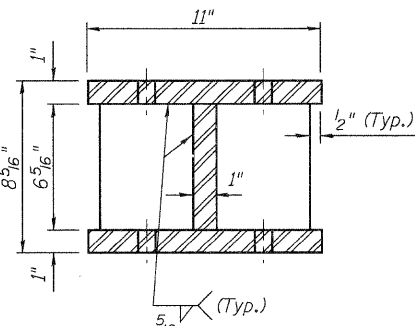


BEARING ASSEMBLY

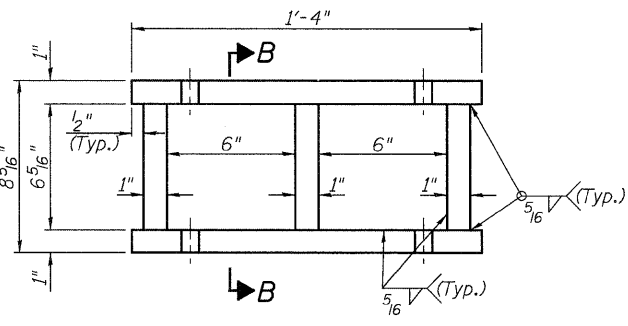
Note:
Shim plates shall not be placed under Bearing Assembly.



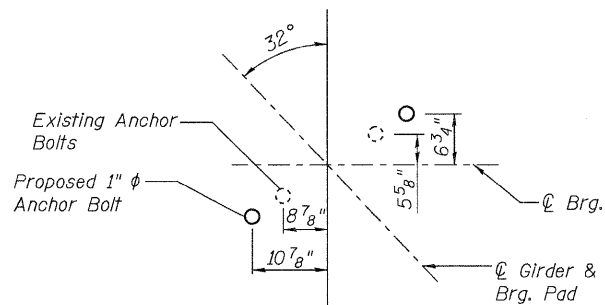
PLAN STEEL EXTENSION



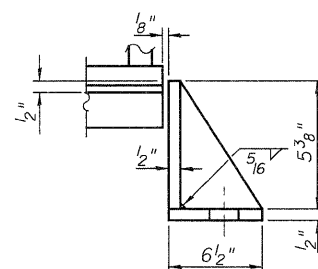
SECTION B-B



ELEVATION STEEL EXTENSION



ANCHOR BOLT LOCATION



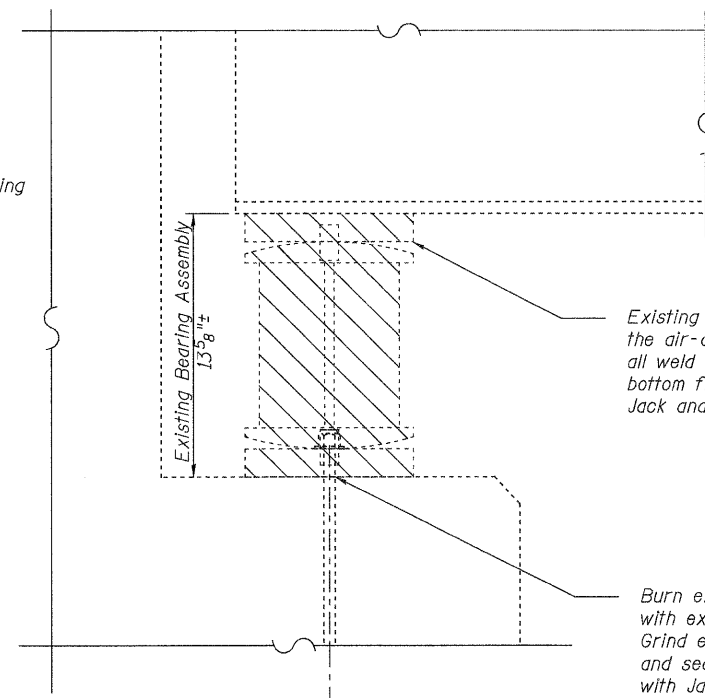
SIDE RETAINER

Equivalent rolled angle with stiffeners will be allowed in lieu of welded plates.

BEAM REACTION TABLE

(From Existing Plans)

Item	Unit
Dead Load (K)	54
Live Load(K)	45
Impact (K)	9
Total (K)	108
Min. Jack Capacity (Tons)	61



EXISTING BEARING REMOVAL DETAIL

BILL OF MATERIAL

Item	Unit	Total
Elastomeric Bearing Assembly Type I	Each	18
Anchor Bolts, 1"	Each	36
Jack and Remove Existing Bearings	Each	18
Furnishing and Erecting Structural Steel	Pound	3280

BEARING DETAILS
STRUCTURE NO. 060-0198

F.A.I. RTE.	SECTION	COUNTY	TOTAL SHEETS	SHEET NO.
55	60-3RS-1, 60-13HB,3HB-11I	MADISON	123	99
STA. 363+22.00		CONTRACT NO.	76601	
FED. ROAD DIST. NO.		ILLINOIS FED. AID PROJECT		

SHEET 7
OF 11

Lin Engineering, Ltd.
Consulting Engineers
Chatham, Illinois

DESIGNED: ESH	DRAWN: RH
CHECKED: MTH	CHECKED: MTH