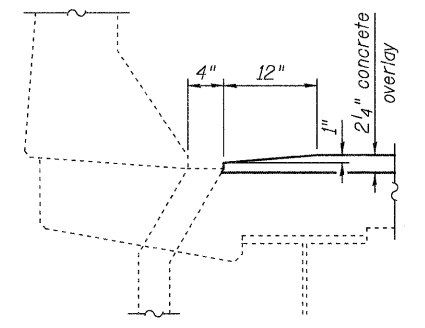
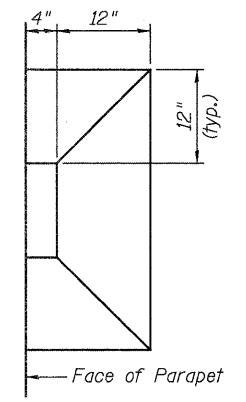
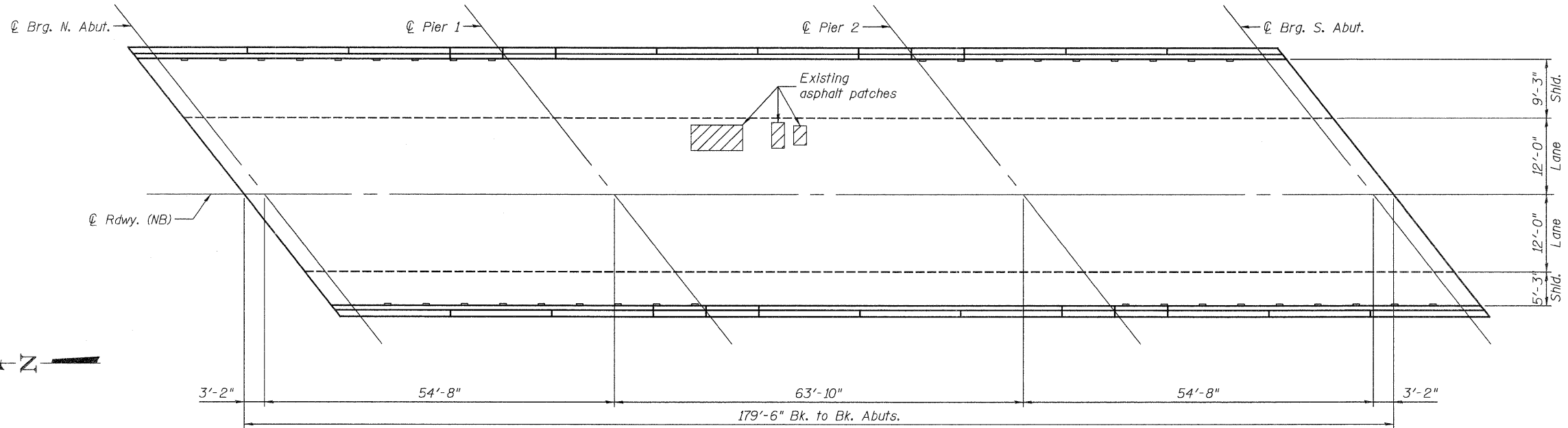
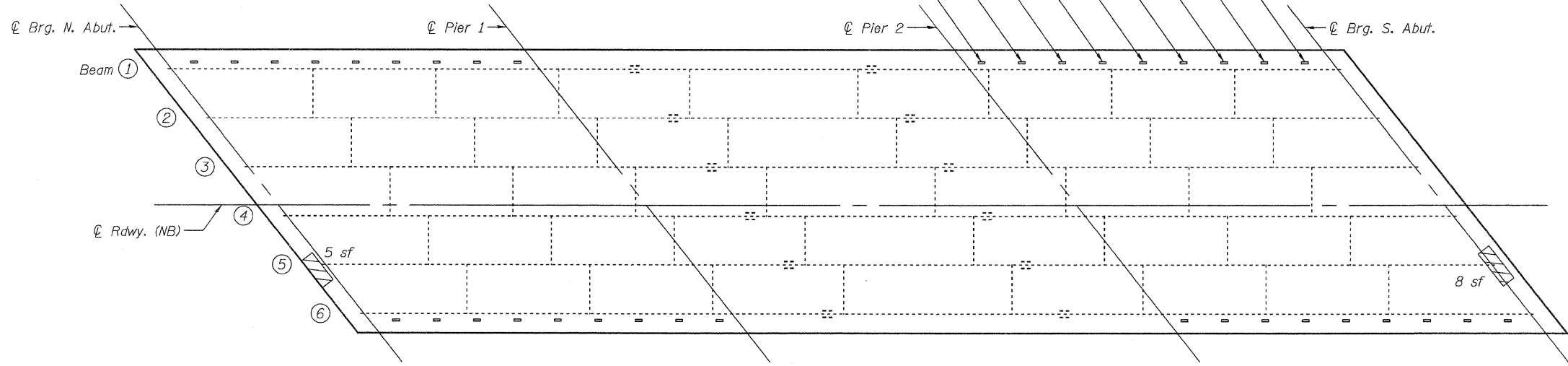


STATE OF ILLINOIS
DEPARTMENT OF TRANSPORTATION



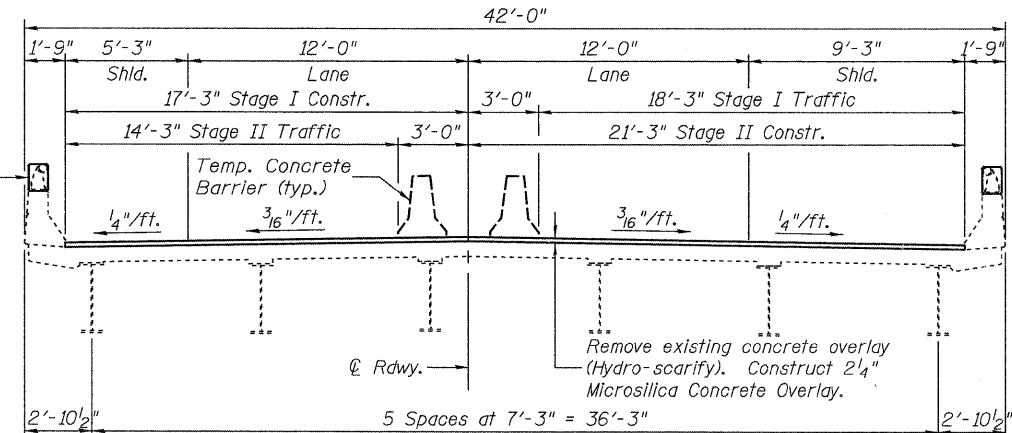
DETAILS AT DECK DRAIN



LEGEND

- Hollow or Unsound Concrete
- Spalled Concrete or Asphalt Patch
- Spalled Concrete with Exposed Reinf.

Concrete Parapet Extension
(See Sheet 4 of 14)



Notes:
Deck Condition Survey performed 4/15/2010.

No full-depth repair areas are anticipated.

Repair areas are estimated, the Engineer shall determine actual repair locations and record them on the As-Built plans.

Partial depth repairs shall be included with Bridge Deck Hydro-scarification, see Special Provision for Bridge Deck Microsilica Concrete Overlay.

JD Johnson, Depp & Quisenberry
CONSULTING ENGINEERS
Springfield, Illinois

DESIGNED: CMV	DRAWN: SJS
CHECKED: DCD	CHECKED: CMV/DCD

DECK REPAIRS (NB)
STRUCTURE NO. 060-0196(SB) & 0197(NB)

F.A.I. RTE.	SECTION	COUNTY	TOTAL SHEETS	SHEET NO.
55	60-3RS-1, 60-(3HB,3HB-1)I	MADISON	123	105
STA. 318+48.55		CONTRACT NO. 76601		
FED. ROAD DIST. NO.		ILLINOIS FED. AID PROJECT		

SHEET 2 OF 14

FILE: J:\JDD\ID95 IL-D8VVW9 I-55 Madison Bridge Repairs\UPRR\0600196-76601-002-deck-NB.dgn
 USER: DCD
 PRINT DATE: 06/22/2010 20:23:35
 SAVE DATE: 6/22/2010