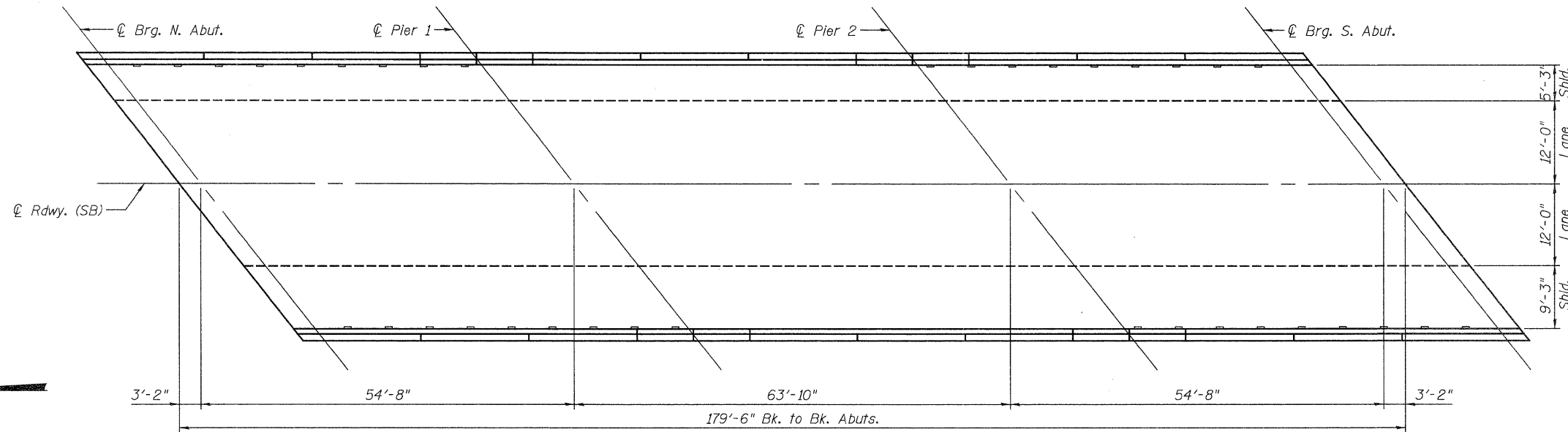
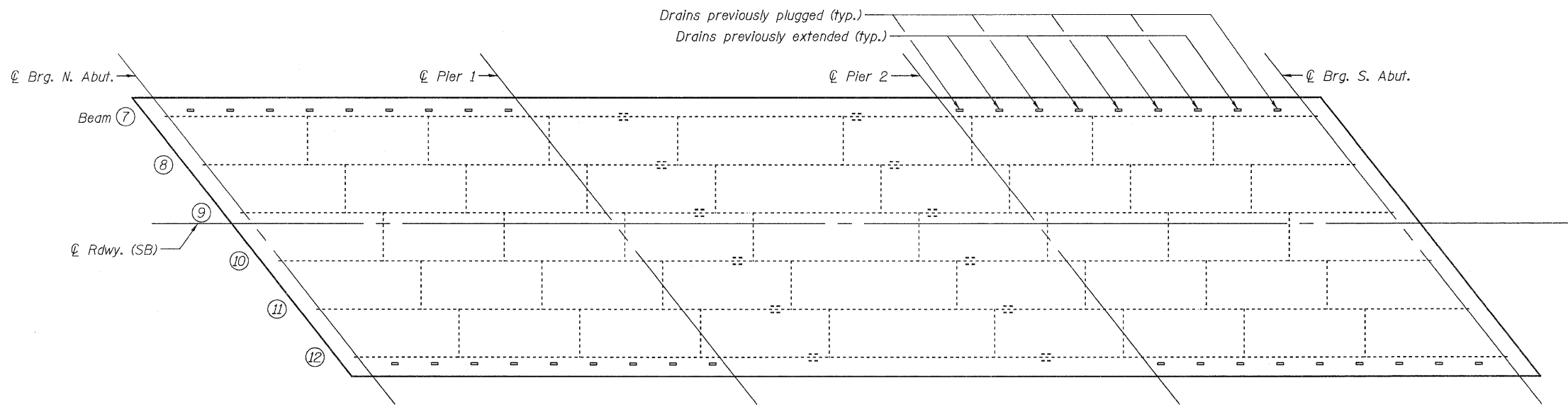


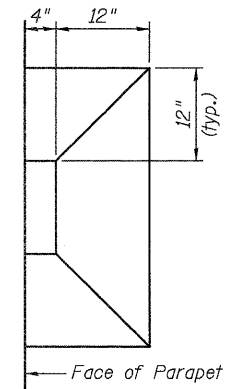
STATE OF ILLINOIS  
DEPARTMENT OF TRANSPORTATION



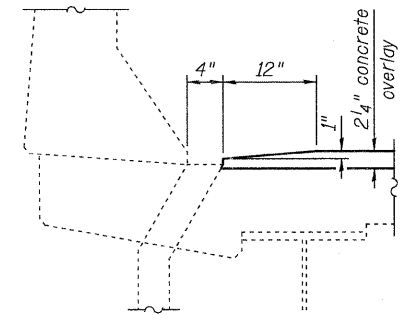
DECK PLAN-TOP (SB)



DECK PLAN-BOTTOM (SB)



PLAN



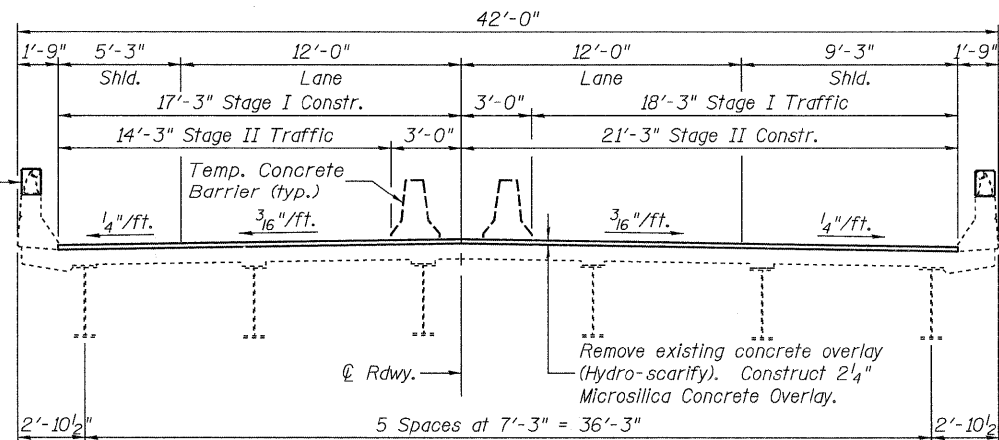
SECTION

DETAILS AT DECK DRAIN

LEGEND

- Hollow or Unsound Concrete
- Spalled Concrete
- Spalled Concrete with Exposed Reinf.

Concrete Parapet Extension  
(See Sheet 4 of 14)



CROSS SECTION  
(Looking South)

Notes:  
Deck Condition Survey performed 4/15/2010.

No full-depth repair areas are anticipated.

Repair areas are estimated, the Engineer shall determine actual repair locations and record them on the As-Built plans.

Partial depth repairs shall be included with Bridge Deck Hydro-scarification, see Special Provision for Bridge Deck Microsilica Concrete Overlay.

**Johnson, Depp & Quisenberry**  
CONSULTING ENGINEERS  
Springfield, Illinois

DESIGNED: CMV	DRAWN: SJS
CHECKED: DCD	CHECKED: CMV/DCD

DECK REPAIRS (SB)  
STRUCTURE NO. 060-0196(SB) & 0197(NB)

F.A.I. RTE.	SECTION	COUNTY	TOTAL SHEETS	SHEET NO.
55	60-3RS-1, 60-(3HB,3HB-1)I	MADISON	123	106
STA. 318+48.55		CONTRACT NO.	76601	
FED. ROAD DIST. NO.		ILLINOIS FED. AID PROJECT		

SHEET 3  
OF 14

FILE: J:\JDA\0195 IL-08VV\*9 I-55 Madison Bridge Repairs\UPRR\0600196-76601-003-deck-sb.dgn  
USER: DCD  
PRINT DATE: 06/22/2010 20:23:37  
SAVE DATE: 6/22/2010