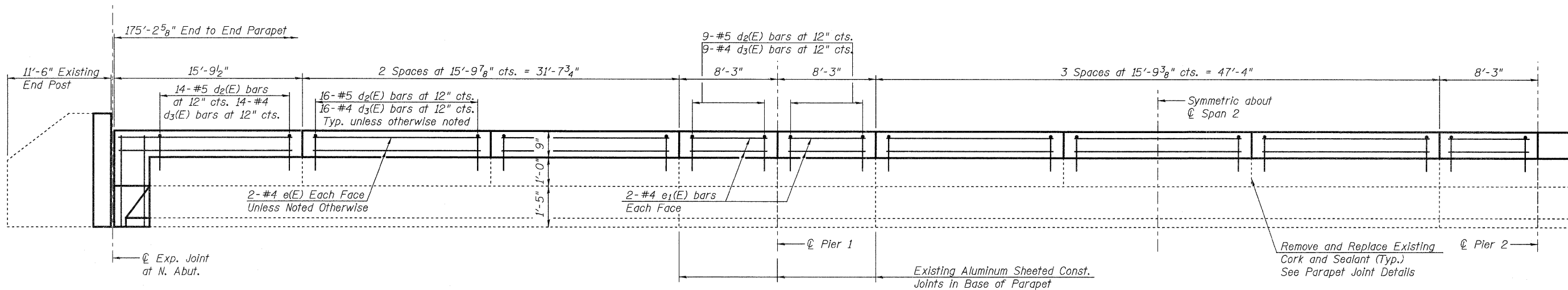


STATE OF ILLINOIS  
DEPARTMENT OF TRANSPORTATION



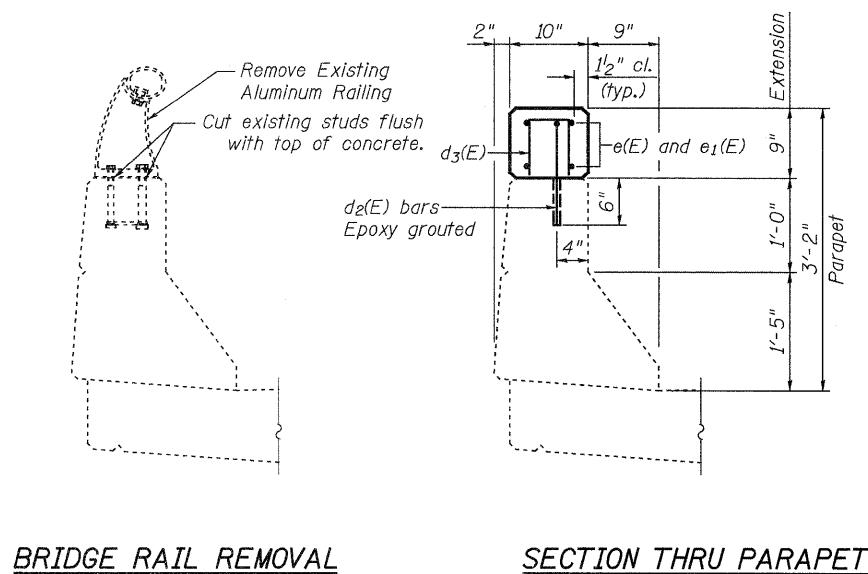
**INSIDE ELEVATION OF PARAPET**

(East Parapet Shown, West Parapet Similar)  
(Dimensions Measured Along Front Face of Parapet)

Note:  
Work this sheet with sheet 6 of 14.

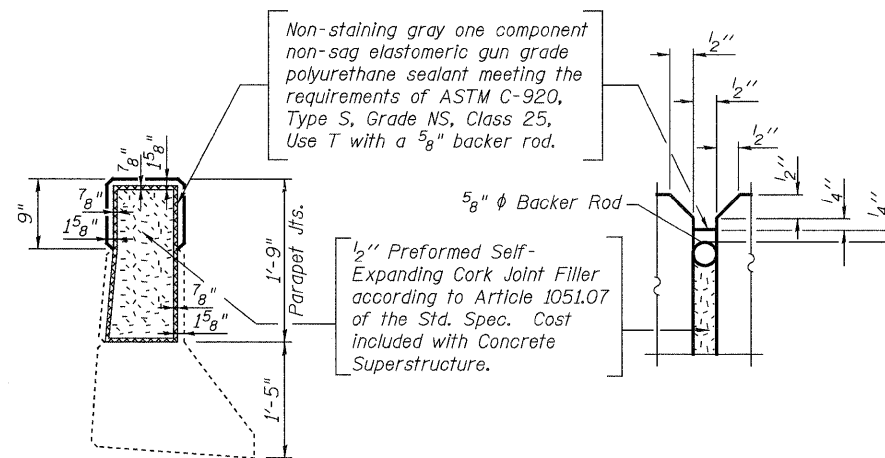
**BILL OF MATERIAL**

Bar	No.	Size	Length	Shape
d <sub>2</sub> (E)	704	#5	1'-7"	L
d <sub>3</sub> (E)	704	#4	1'-7"	Π
e(E)	144	#4	15'-6"	—
e <sub>1</sub> (E)	64	#4	7'-9"	—
Reinforcement Bars, Epoxy Coated			Pound	3730
Concrete Superstructure			Cu. Yd.	16.2
Bridge Rail Removal			Foot	702

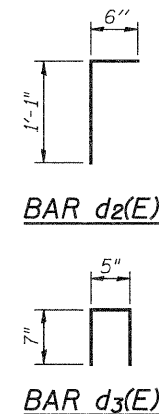


**BRIDGE RAIL REMOVAL**

**SECTION THRU PARAPET**



**PARAPET JOINT DETAILS**



**CONCRETE PARAPET EXTENSION DETAILS**  
**STRUCTURE NO. 060-0196(SB) & 0197(NB)**

SHEET 4 OF 14	F.A.I. RTE.	SECTION	COUNTY	TOTAL SHEETS	SHEET NO.
	55	60-3RS-1, 60-(3HB,3HB-1)I	MADISON	123	107
	STA. 318+48.55		CONTRACT NO. 76601		
FED. ROAD DIST. NO.		ILLINOIS FED. AID PROJECT			

**LIN ENGINEERING, LTD.**  
Consulting Engineers  
Chatham, Illinois

DESIGNED: ESH	DRAWN: RH
CHECKED: MTH	CHECKED: MTH

FILE: J:\JDO\10185 IL-08VVV9 1-55 Madison Bridge Repairs\Linengr\060-0196 & 060-0197.dgn  
USER: DCD  
DATE: 06/22/2010 19:33:48