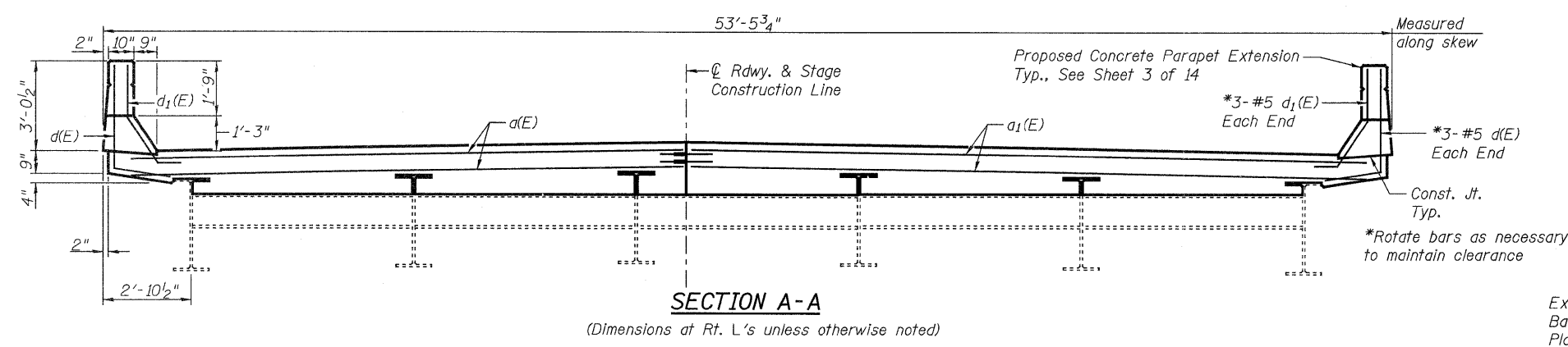
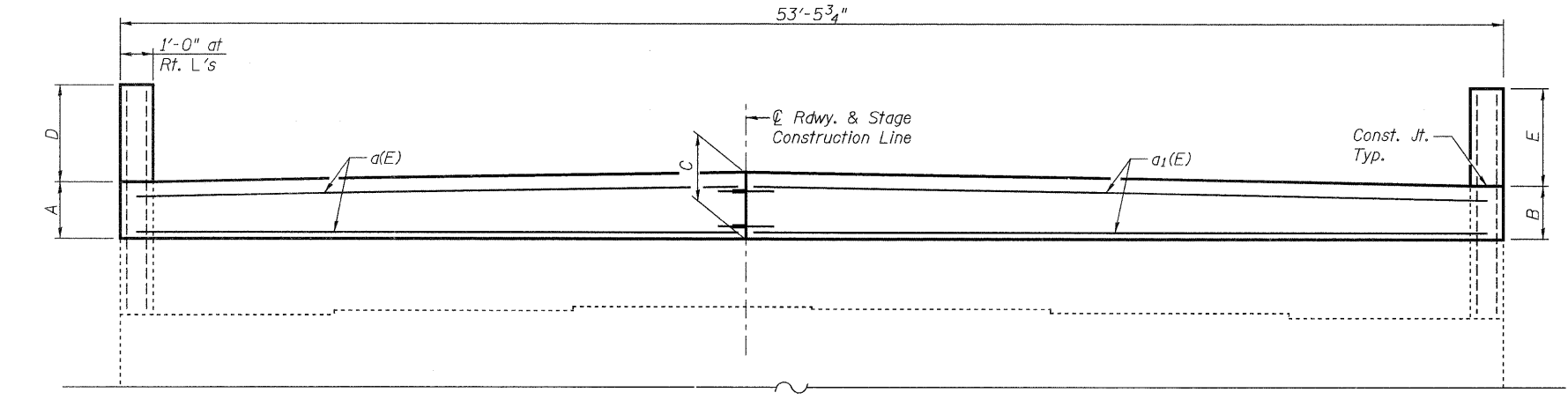


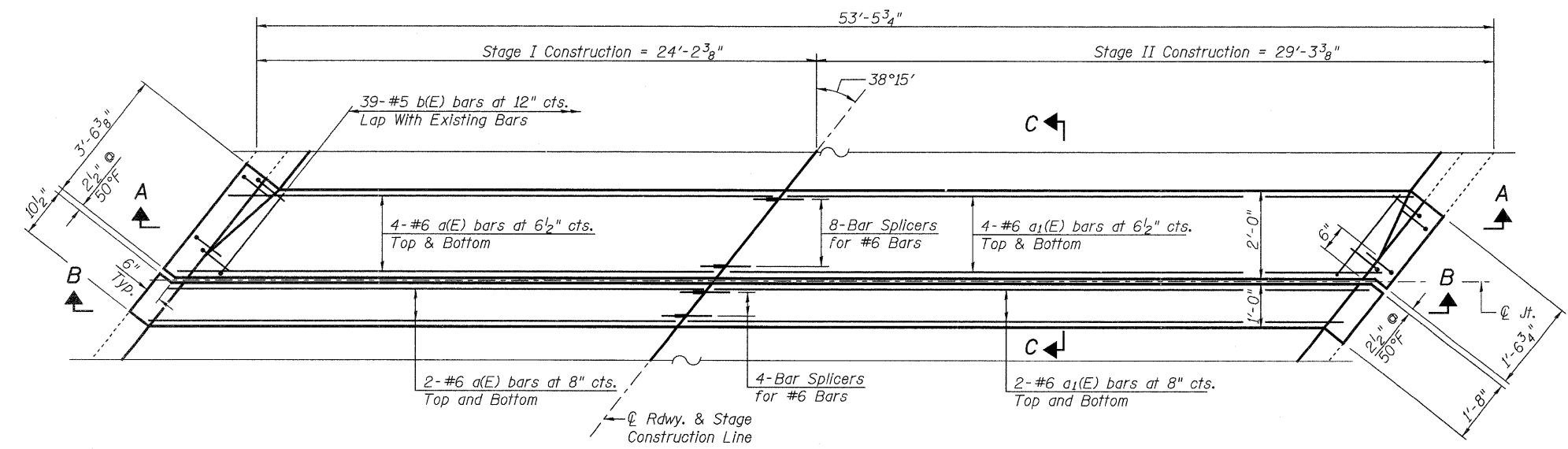
STATE OF ILLINOIS
DEPARTMENT OF TRANSPORTATION



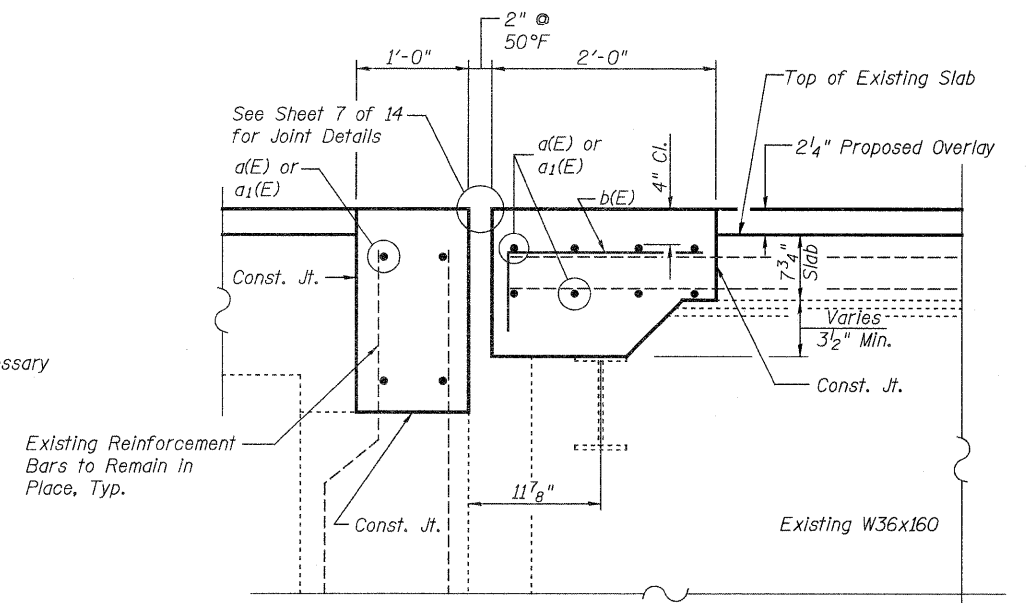
SECTION A-A
(Dimensions at Rt. L's unless otherwise noted)



SECTION B-B

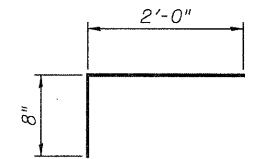


PLAN
(SB Bridge: N. Abut. shown, S. Abut. similar)
(NB Bridge: S. Abut. shown, N. Abut. similar)

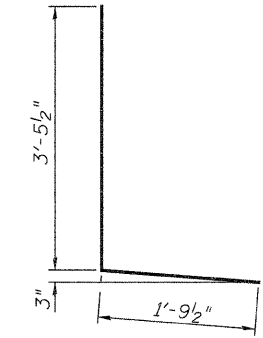


SECTION C-C
(Dimensions at Rt. L's)

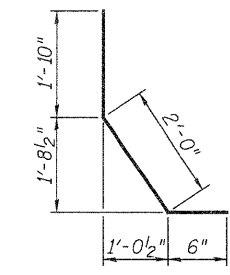
Location	A	B	C	D	E
S.B. N. Abut.	1'-5"	1'-4 3/8"	1'-9"	3'-4 1/8"	3'-4 1/4"
S.B. S. Abut.	1'-4 1/4"	1'-6 1/4"	1'-9 5/8"	3'-4 1/8"	3'-4 1/4"
N.B. N. Abut.	1'-4"	1'-6 1/2"	1'-9 5/8"	3'-4 3/8"	3'-4"
N.B. S. Abut.	1'-3"	1'-4 1/4"	1'-8 7/8"	3'-6 1/4"	3'-4"



BAR b(E)



BAR d(E)



BAR d1(E)

BILL OF MATERIAL
(Four Abutments)

Bar	No.	Size	Length	Shape
a(E)	48	#6	23'-3"	—
a1(E)	48	#6	28'-3"	—
b(E)	156	#5	2'-8"	┌
d(E)	24	#5	5'-3"	┌
d1(E)	24	#5	4'-4"	┌
Reinforcement Bars, Epoxy Coated			Pound	4390
Concrete Superstructure			Cu. Yd.	36.1

EXPANSION JOINT CONCRETE DETAILS
STRUCTURE NO. 060-0196(SB) & 0197(NB)

SHEET	F.A.I. RTE.	SECTION	COUNTY	TOTAL SHEETS	SHEET NO.
6 OF 14	55	60-3RS-1, 60-(3HB,3HB-1)	MADISON	123	109
		STA. 318+48.55	CONTRACT NO.	76601	
		FED. ROAD DIST. NO.	ILLINOIS FED. AID PROJECT		

FILE: J:\JDO\110195 IL-08VW9g I-55 Madison Bridge Repairs\LinEngr\060-0196 & 060-0197.dgn
 USER: DCD
 DATE: 06/22/2010 19:33:52

LIN ENGINEERING, LTD.
Consulting Engineers
Chatham, Illinois

DESIGNED: ESH	DRAWN: RH
CHECKED: MTH	CHECKED: MTH