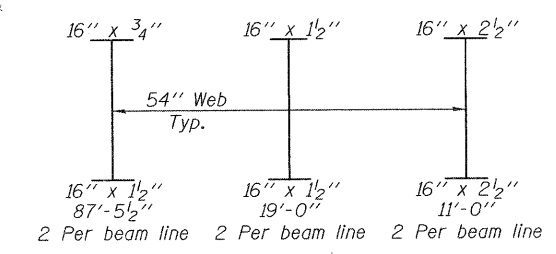
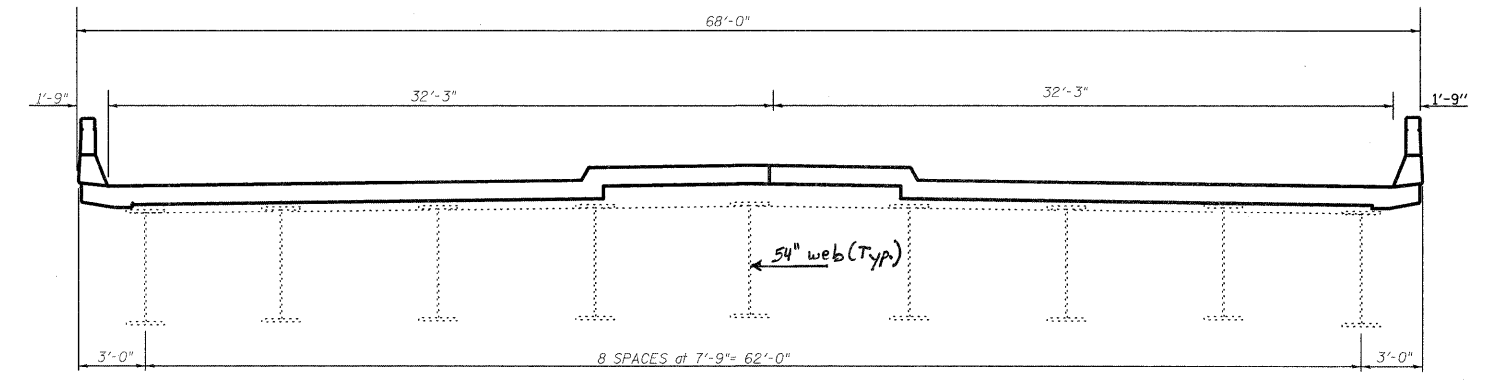
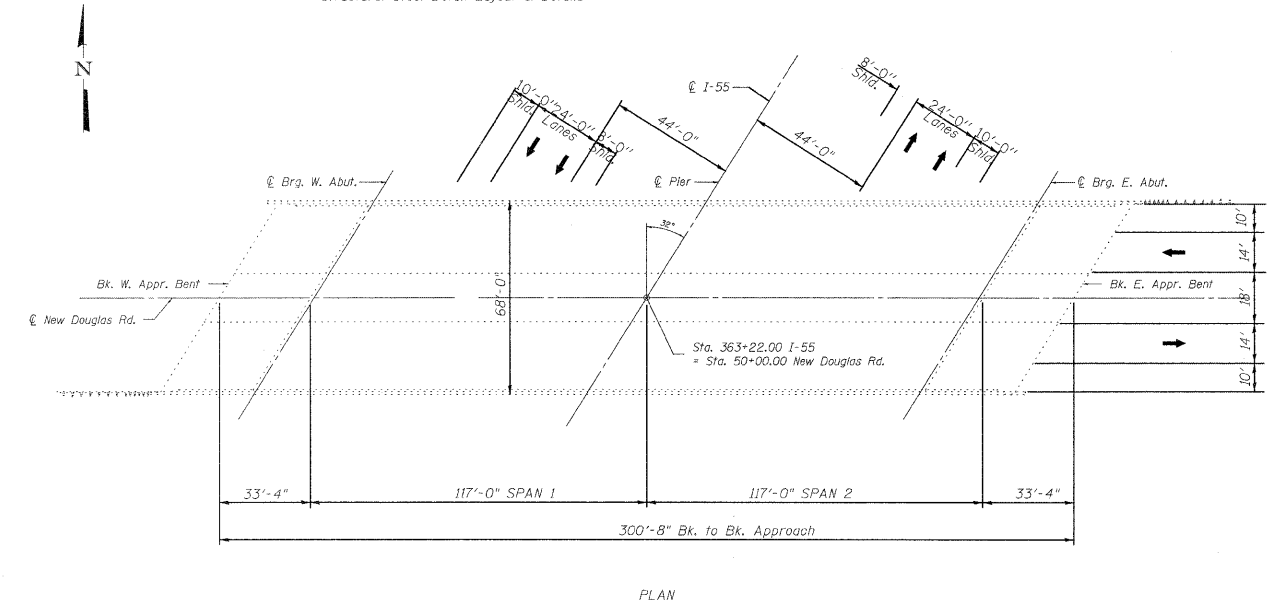


Structural Steel Detail Layout & Details



CROSS SECTION

STA. 363+22

FILE NAME =	USER NAME = conoverpj	DESIGNED -	REVISED -	STATE OF ILLINOIS DEPARTMENT OF TRANSPORTATION	BRIDGE PAINTING SN 060-0198 NEW DOUGLAS ROAD OVER I-55		F.A.I. RTE.	SECTION	COUNTY	TOTAL SHEETS	SHEET NO.
o:\pwwork\pwwork\conoverpj\d0129605\d876601-sht-plan.dgn		DRAWN -	REVISED -		55	60-3RS-1,60-(3HB,3HB-1I)	MADISON	123	123	CONTRACT NO. 76601	
PLOT SCALE = 50.0000' / IN.		CHECKED -	REVISED -		SCALE: _____ SHEET NO. 4 OF 4 SHEETS		FED. ROAD DIST. NO. _____ ILLINOIS FED. AID PROJECT				
PLOT DATE = 6/23/2010		DATE -	REVISED -		STA. _____ TO STA. _____						