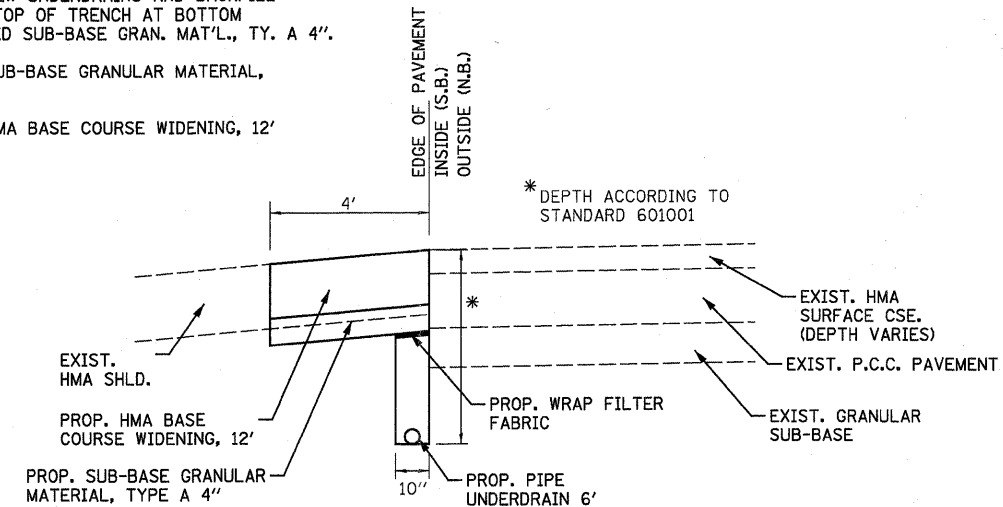


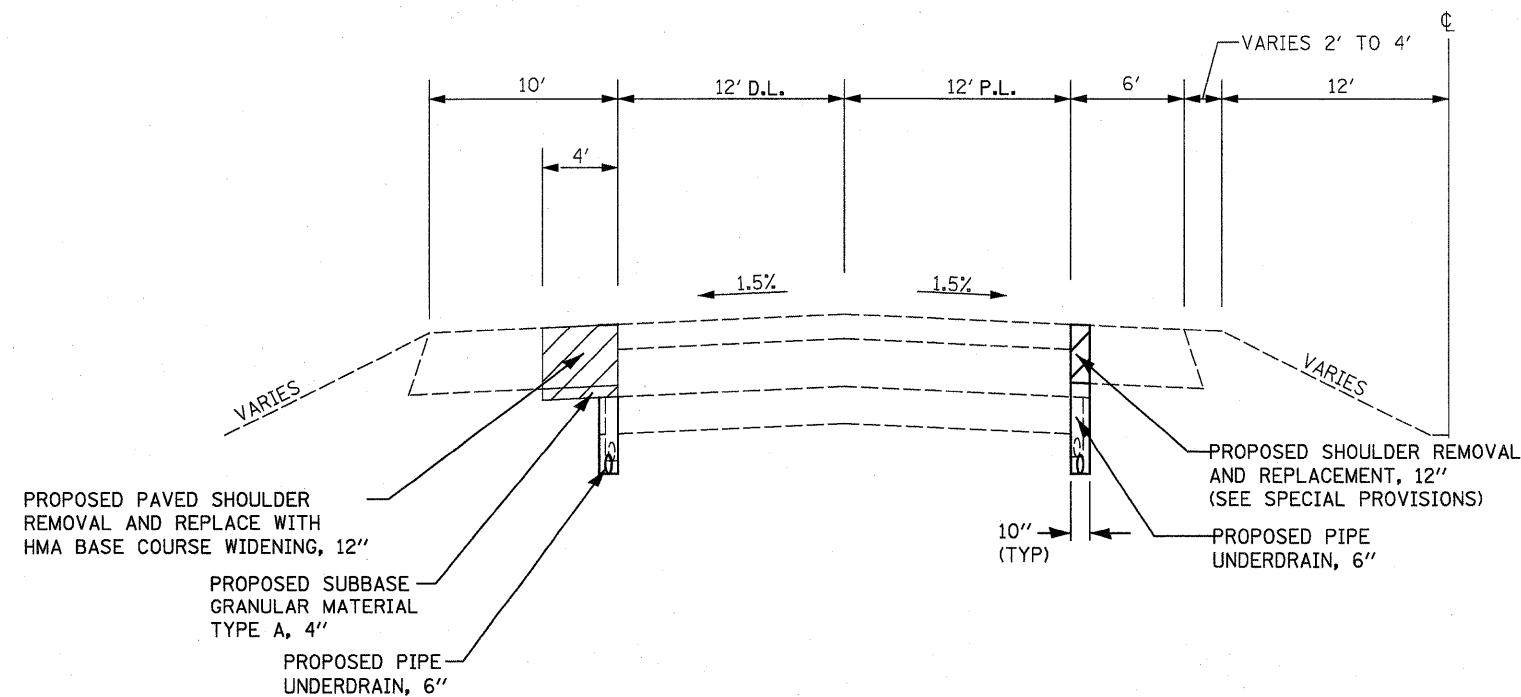
**S.B. F.A.I. ROUTE 55 PRE-STAGE CONSTRUCTION TYPICAL SECTION  
STA. 668 + 00.00 TO 1263 + 98.00  
(LOOKING SOUTH)**

**SUGGESTED PRE-STAGE CONSTRUCTION**

1. REMOVE 4 FOOT X 16 INCH SECTION OF PAVED SHOULDER.
2. PLACE NEW UNDERDRAINS AND BACKFILL AND WRAP TOP OF TRENCH AT BOTTOM OF PROPOSED SUB-BASE GRAN. MAT'L., TY. A 4\".
3. PLACE SUB-BASE GRANULAR MATERIAL, TYPE A 4\".
4. PLACE HMA BASE COURSE WIDENING, 12'



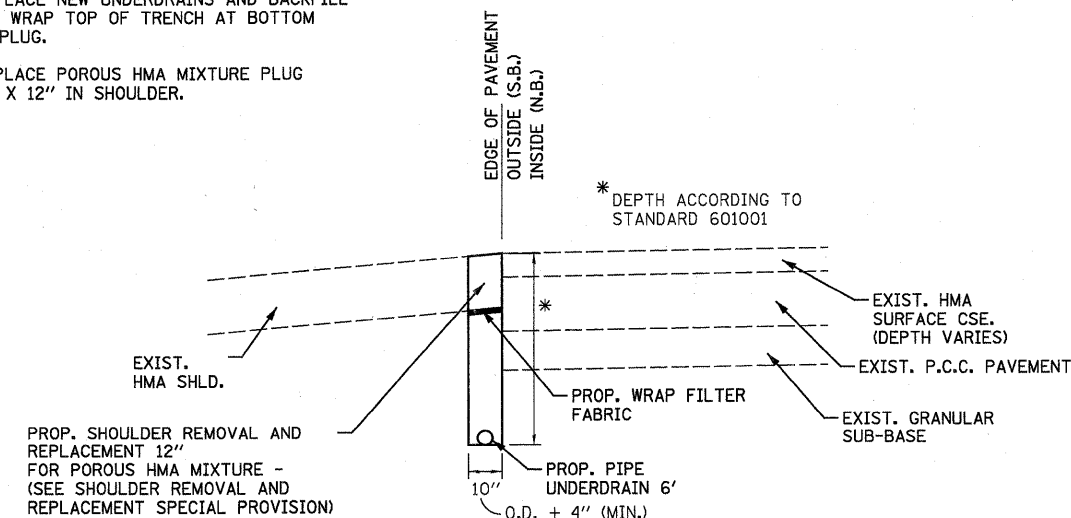
**EDGE DETAIL**



**N.B. F.A.I. ROUTE 55 PRE-STAGE CONSTRUCTION TYPICAL SECTION  
STA. 668 + 00.00 TO 1263 + 98.00  
(LOOKING SOUTH)**

**SUGGESTED PRE-STAGE CONSTRUCTION**

1. REMOVE NOMINAL 10" X 12" SECTION OF PAVED SHOULDER.
2. PLACE NEW UNDERDRAINS AND BACKFILL AND WRAP TOP OF TRENCH AT BOTTOM OF PLUG.
3. PLACE POROUS HMA MIXTURE PLUG 10" X 12" IN SHOULDER.



**EDGE DETAIL**

FILE NAME = ...CADD\d875o93-ght-typical.dgn	USER NAME = SJS	DESIGNED - DRAWN - JJS	REVISED - REVISED -
PLOT SCALE = 58.0000' / IN.	CHECKED - MTM	REVISED -	REVISED -
PLOT DATE = 08/04/2010 09:47:12	DATE - JUNE 2010	REVISED -	REVISED -

**STATE OF ILLINOIS  
DEPARTMENT OF TRANSPORTATION**

**PRE-STAGE CONSTRUCTION TYPICAL SECTIONS**

SCALE: SHEET NO. OF SHEETS STA. 668+00.00 TO STA. 1263+99.00

F.A.I. RTE.	SECTION	COUNTY	TOTAL SHEETS	SHEET NO.
55	60-(L)2RS-2	MADISON	156	92
CONTRACT NO. 76C93			ILLINOIS FED. AID PROJECT	