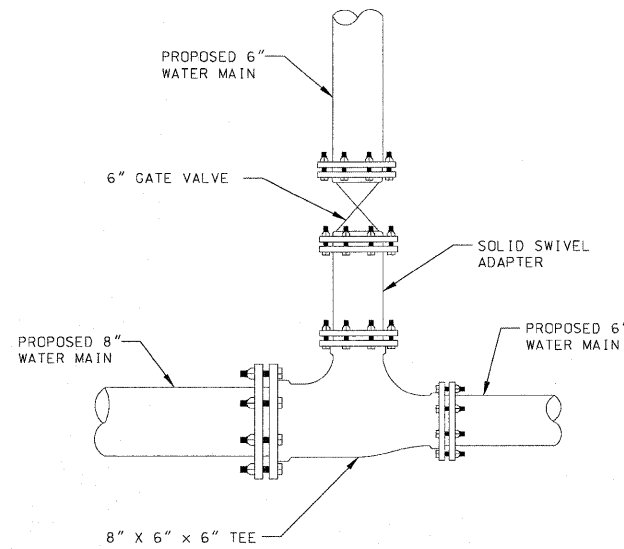
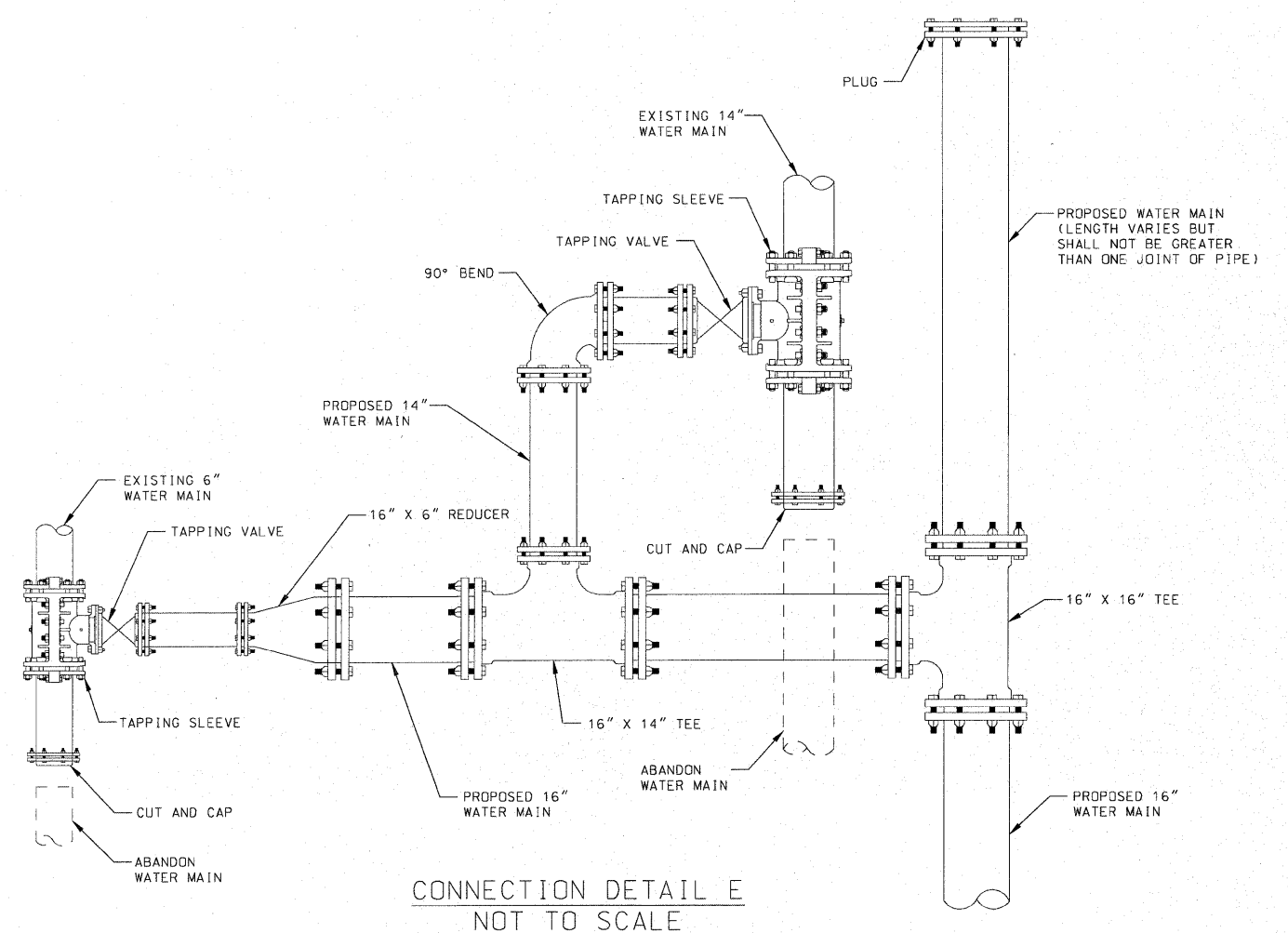


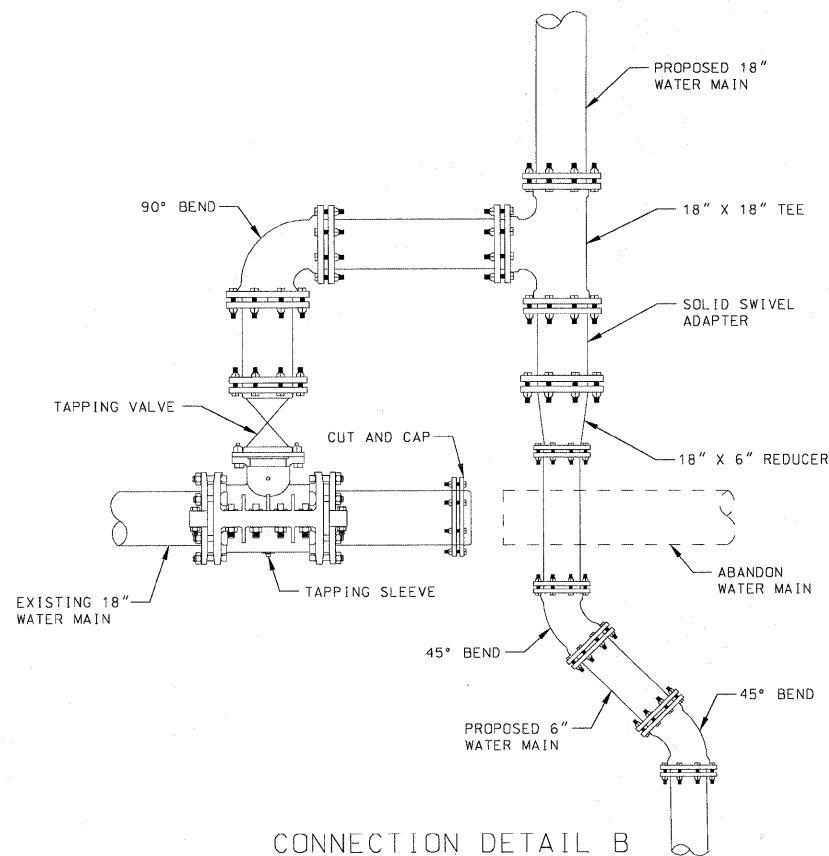
CONNECTION DETAIL F
NOT TO SCALE



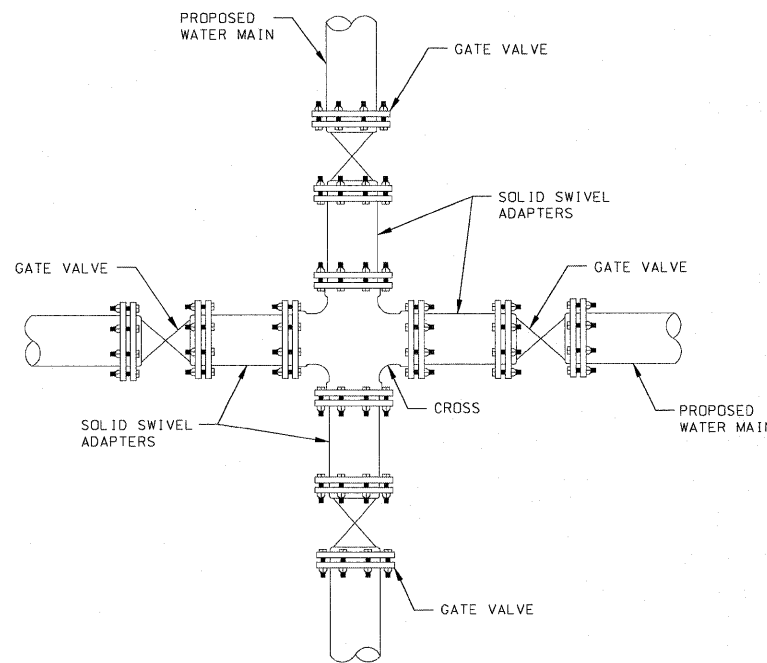
CONNECTION DETAIL D
NOT TO SCALE



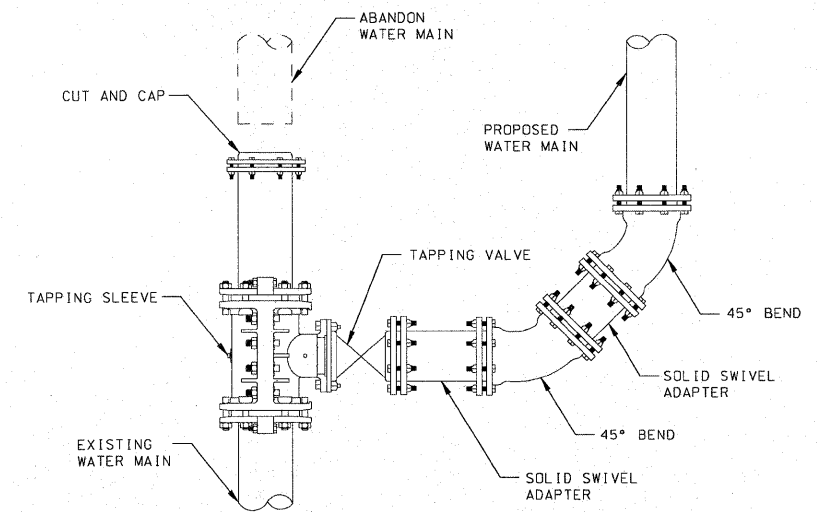
CONNECTION DETAIL E
NOT TO SCALE



CONNECTION DETAIL B
NOT TO SCALE



CONNECTION DETAIL C
NOT TO SCALE



CONNECTION DETAIL A
NOT TO SCALE

FILE NAME =	USER NAME = default	DESIGNED -	REVISED -
pr\projects\513581\cadd\adgn\0876054-sht	dra:adgn\adgn	DRAWN -	REVISED -
	PLOT SCALE = 20.0000' / IN.	CHECKED -	REVISED -
	PLOT DATE = 6/16/2010	DATE -	REVISED -

STATE OF ILLINOIS
DEPARTMENT OF TRANSPORTATION

WATER MAIN CONNECTION DETAILS

SCALE: N/A SHEET NO. 1 OF 5 SHEETS STA N/A TO STA N/A

F.A.P. RTE.	SECTION	COUNTY	TOTAL SHEETS	SHEET NO.
600	60-(30,31,128)-N-1	MADISON	152	66
CONTRACT NO. 76054				
FED. ROAD DIST. NO. ILLINOIS FED. AID PROJECT				