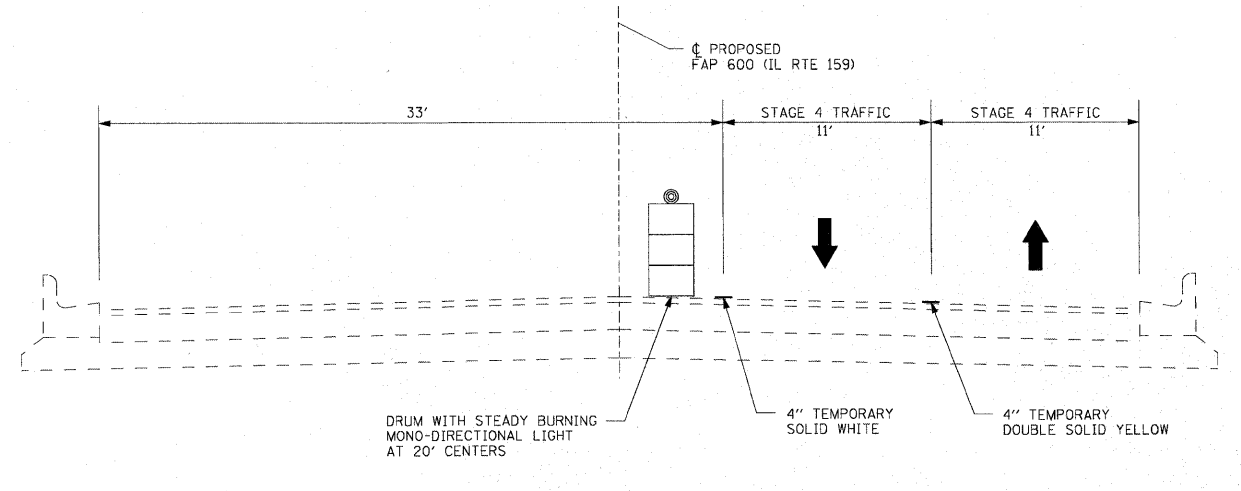
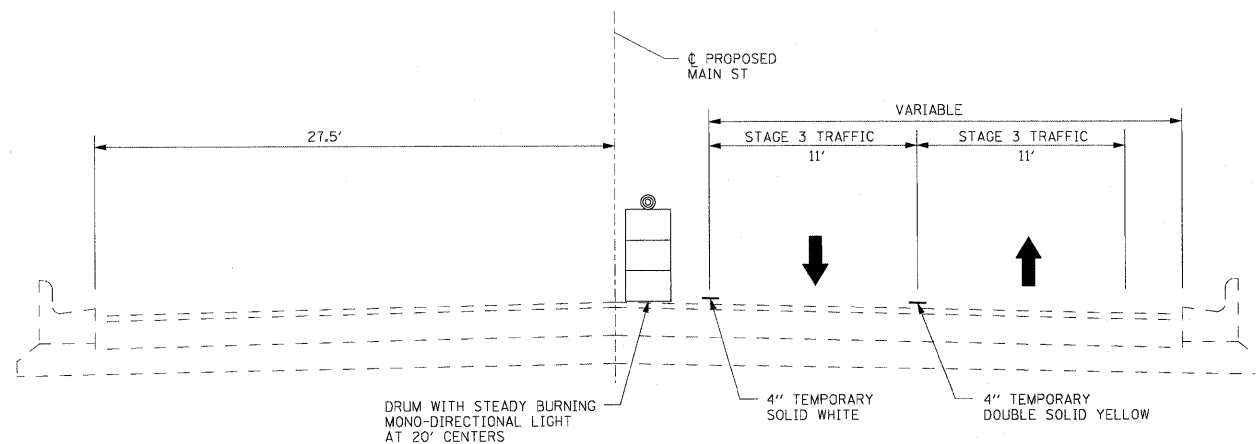


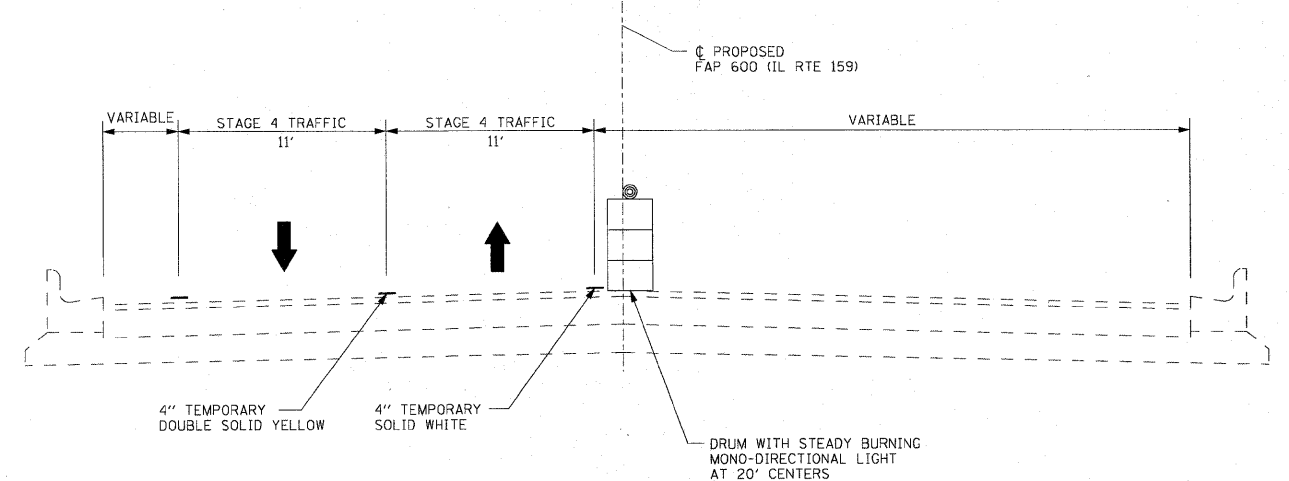
STAGE 3 - ALLEY 156+02 TO MAIN



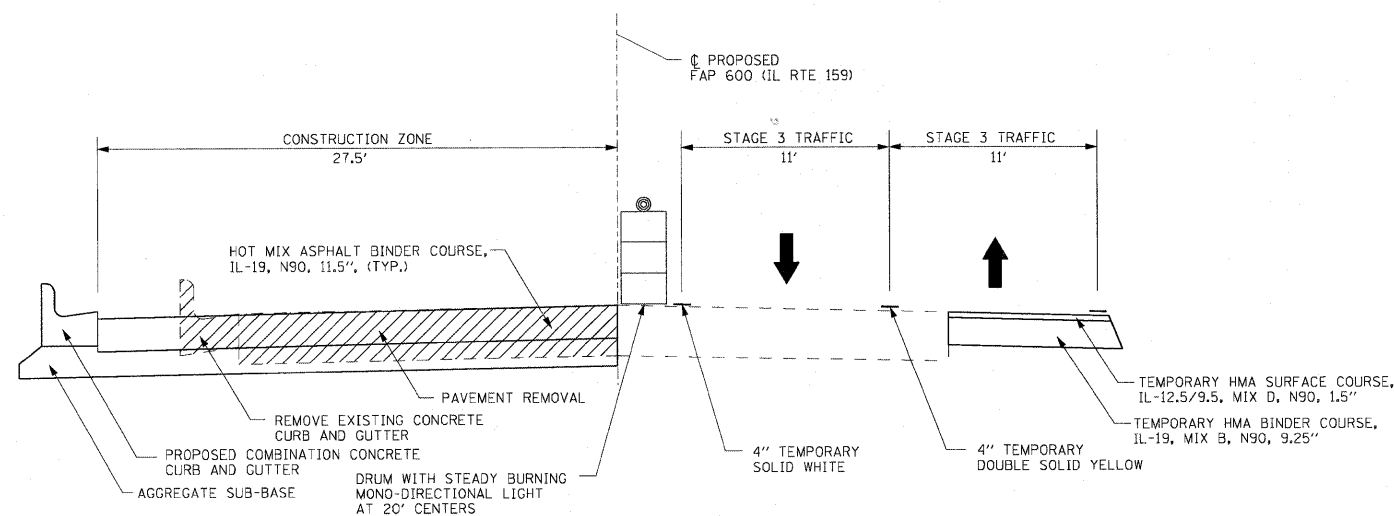
STAGE 4 - ALLEY 156+02 TO E MAIN ST



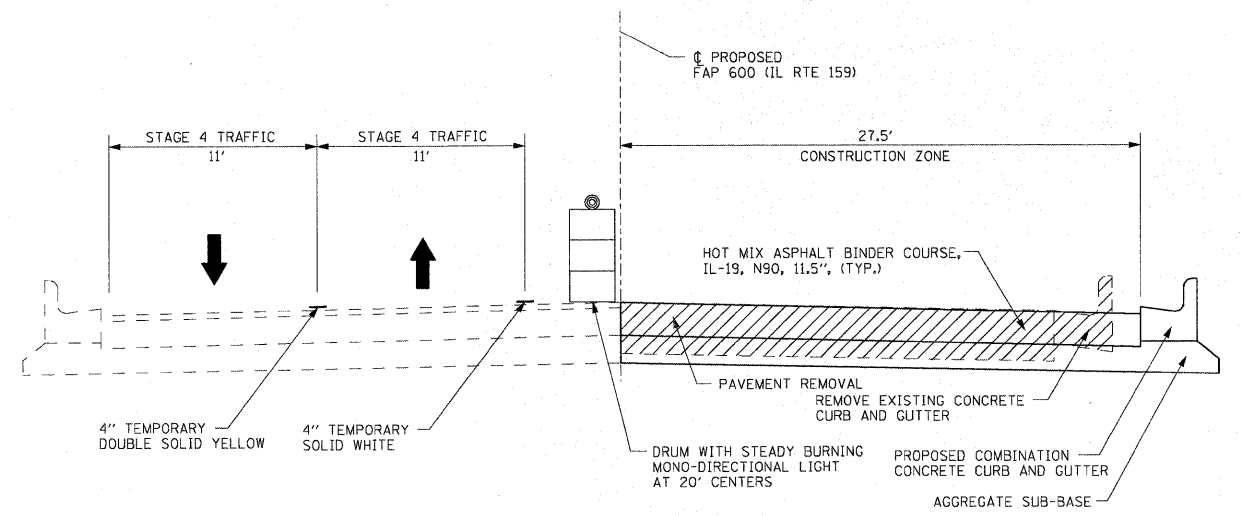
STAGE 3 - E MAIN ST TO E CLAY ST



STAGE 4 - E MAIN ST TO E CLAY ST



STAGE 3 - E CLAY ST TO E JOHNSON ST



STAGE 4 - E CLAY ST TO E JOHNSON ST

FILE NAME =	USER NAME = default	DESIGNED -	REVISED -
P:\Projects\519501\CADD\DGN\0976054-shd	staging.dgn	DRAWN -	REVISED -
PLOT SCALE = 50.0000' / IN.	CHECKED -	REVISED -	REVISED -
PLOT DATE = 6/16/2010	DATE -	REVISED -	REVISED -

STATE OF ILLINOIS  
DEPARTMENT OF TRANSPORTATION

SUGGESTED STAGES OF CONSTRUCTION AND TRAFFIC CONTROL TYPICAL SECTIONS

SCALE: N/A SHEET NO. 2 OF 9 SHEETS STA. N/A TO STA. N/A

F.A.P. RTE.	SECTION	COUNTY	TOTAL SHEETS	SHEET NO.
600	60-(30,31,128)-N-1	MADISON	152	77
CONTRACT NO. 76D54				
[ILLINOIS] FED. AID PROJECT				