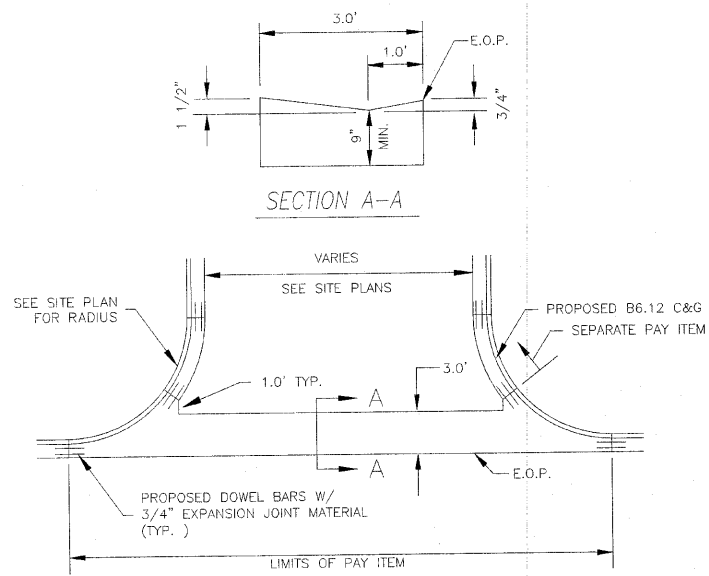
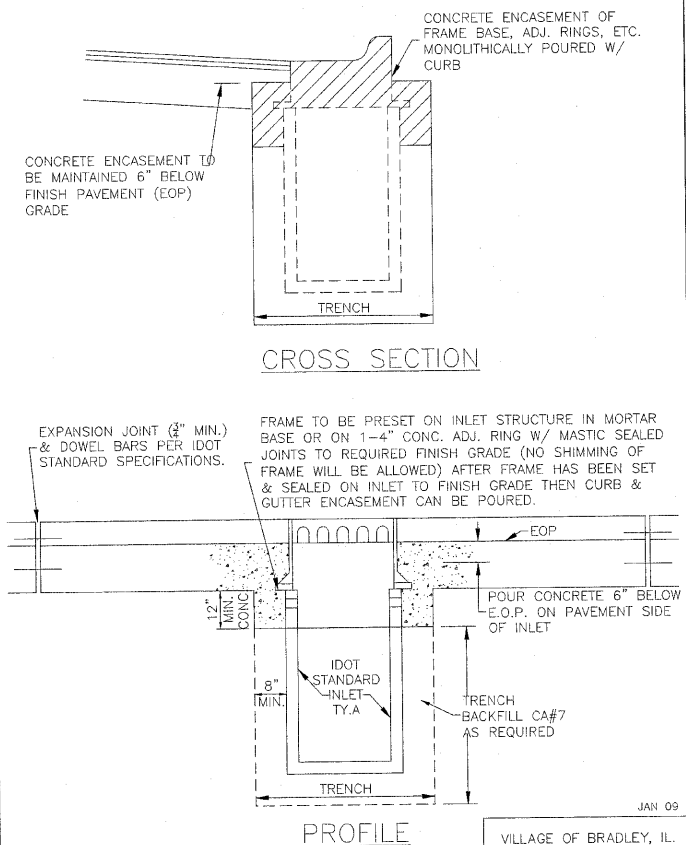


F.A.U. ROUTE.	SECTION	COUNTY	TOTAL SHEETS	SHEET NO.
SCHUYLER - F.A.U. 6201	08-00094-00-TL	KANKAKEE	13	13
BROADWAY - F.A.U. 6178	CONTRACT NO.: 87370			



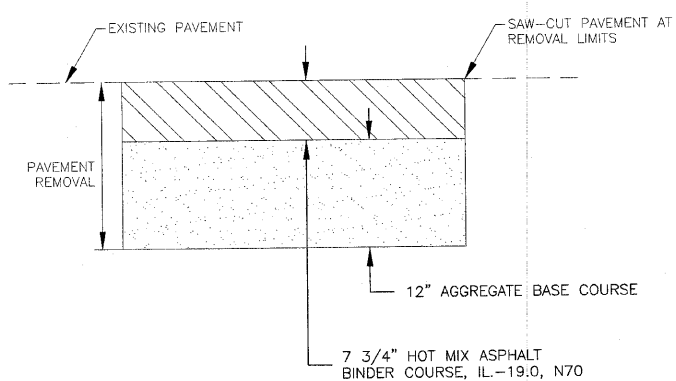
COMBINATION CURB AND GUTTER, (MODIFIED) DETAIL

NOTE: CURB TO BE CONSTRUCTED IN ACCORDANCE WITH THE CURRENT EDITION OF THE IDOT STANDARD SPECIFICATIONS FOR ROAD AND BRIDGE CONSTRUCTION - SECTION 606, HIGHWAY STANDARD 606001, AND TO THE ABOVE DIMENSIONS. CURB SHALL BE INSTALLED ON A MINIMUM 4 INCH AGGREGATE BASE - CA#6 (COMPACTED) AND CURB CONSTRUCTED WITH IDOT CLASS SI PORTLAND CEMENT CONCRETE.



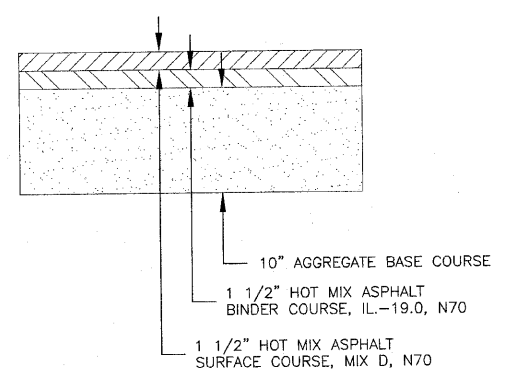
NOTE: INLET & CURB SUBJECT TO IDOT'S STANDARD SPECIFICATIONS CURRENT EDITION

VILLAGE OF BRADLEY, IL. CONSTRUCTION STANDARDS FOR CURB INLET, TY. "A" WITH CONCRETE ENCASUREMENT STANDARD# STRM-2020



NOTE: PAVEMENT PATCHING (FULL DEPTH) PAY ITEM DOES NOT INCLUDE FINAL 1 1/4\"/>

PAVEMENT PATCHING (FULL DEPTH) DETAIL

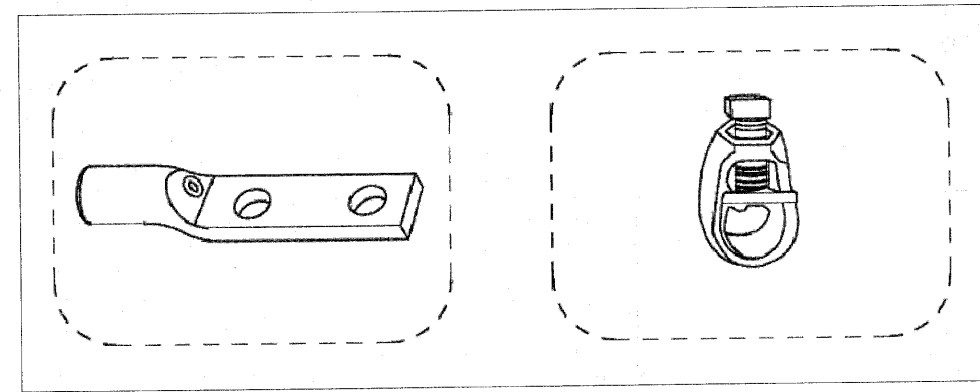


HOT-MIX ASPHALT DRIVEWAY PAVEMENT DETAIL

GROUNDING SYSTEM

NOTES:

1. THE GROUNDING SYSTEM SHALL CONSIST OF AN INSULATED CONDUCTOR TYPE XLP, NO. 6 A.W.G. STRANDED COPPER TO BE INSTALLED IN RACEWAYS. THE GROUNDING CABLE SHALL BE INSTALLED IN A CONTINUOUS MANNER AS SHOWN ON THE CABLE PLAN PROVIDED. ALL GROUNDING CONDUCTORS SHALL BE BONDED TO METAL ENCLOSURE (HANDHOLE, POST, MAST ARM, CONTROLLER, ETC.). GROUND ROD SHALL BE 3/4" DIA. x 10'-0" (20mm x 3.0m) LONG, COPPER CLAD. ONE GROUND ROD SHALL BE INSTALLED AT ALL POST FOUNDATION AND ELECTRICAL SERVICE INSTALLATION AS INDICATED ON THE CABLE PLAN. IF THERE ARE ANY SPECIAL CONDITIONS SUCH AS SUB-SURFACE CONDITIONS OR INSTALLATION PROBLEMS, THE RESIDENT ENGINEER SHALL BE NOTIFIED OR CONTACT THE BUREAU OF TRAFFIC, ILLINOIS DEPARTMENT OF TRANSPORTATION DISTRICT THREE AT (815) 434-8505.
2. THE NEUTRAL CONDUCTOR AND THE GROUND CONDUCTOR SHALL BE CONNECTED IN THE SERVICE INSTALLATION. AT NO OTHER POINT IN THE TRAFFIC SIGNAL SYSTEM SHALL THE NEUTRAL AND GROUND CONDUCTORS BE CONNECTED.
3. ALL EQUIPMENT GROUNDING CONDUCTORS SHALL TERMINATE AT THE GROUND BUS IN THE CONTROLLER CABINET.
4. THE CONTRACTOR SHALL PROVIDE A GROUND CABLE WITH CONNECTORS BETWEEN THE HANDHOLE COVER AND HANDHOLE FRAME.



HEAVY-DUTY COMPRESSION TERMINAL (BURNDY TYPE YGHA OR APPROVED EQUAL) 3/4" (20mm) HEAVY-DUTY GROUND ROD CLAMP (BURNDY TYPE GRC OR APPROVED EQUAL)

NOTES:

- ALL CLAMPS SHALL BE BRONZE OR COPPER, UL APPROVED.
- GROUND CABLE SHALL BE LOOPED OVER HOOKS IN THE HANDHOLES. 6.8' (2.0m) SLACK SHALL BE PROVIDED IN SINGLE HANDHOLES. 13' (4.0m) ON SLACK SHALL BE PROVIDED IN DOUBLE HANDHOLES. 5' (1.4m) OF SLACK SHALL BE PROVIDED BETWEEN FRAME AND COVER.



REVISIONS		
DATE	BY	DESCRIPTION
07-08-2010	JWG	PER IDOT REVIEW

ILLINOIS DEPARTMENT OF TRANSPORTATION  
SAFE ROUTES TO SCHOOLS  
BROADWAY & SCHUYLER INTERSECTION SIGNALS  
DETAILS  
SCALE: DATE: 12/21/08 DRAWN BY: JWG CHECKED BY: