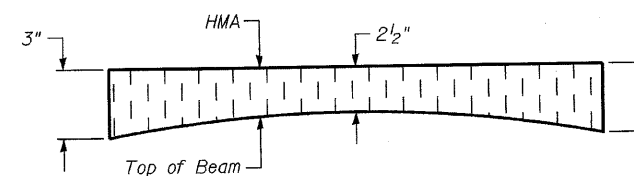
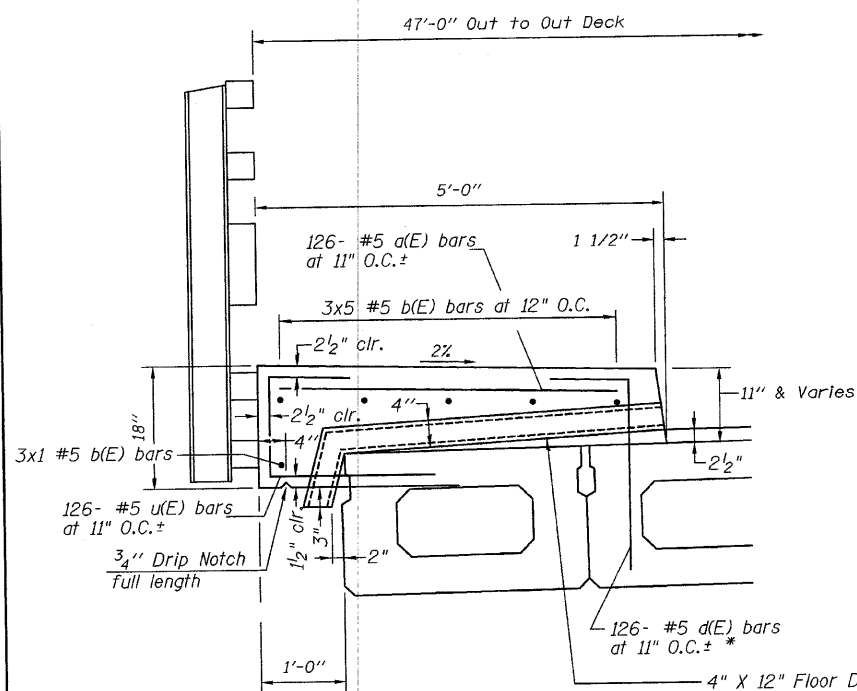


RAIL POST SPACING DETAIL



PROFILE OF OVERLAY



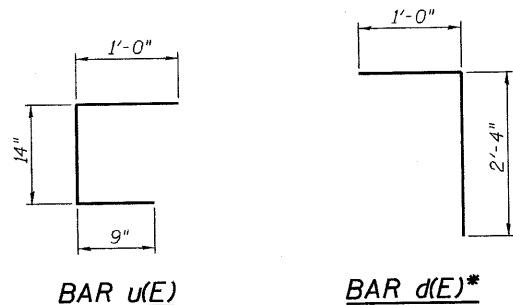
SIDEWALK DETAIL

* Included in the cost of Precast Prestressed Deck Beams.

4" X 12" Floor Drain - 3/16" welded sheets ASTM B209 alloy 6061-T6 or aluminum extrusions ASTM B221 alloy 6061-T6

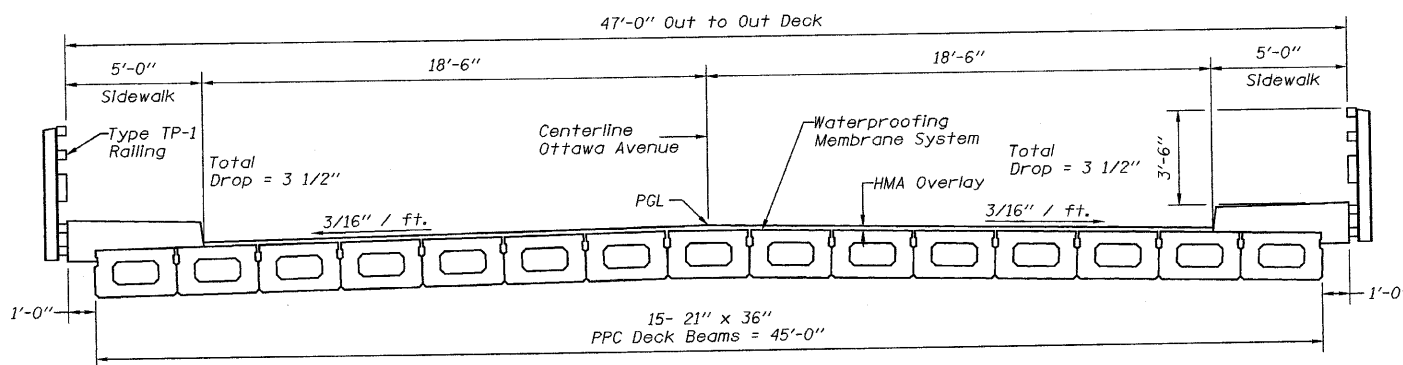
BILL OF MATERIAL (2 SIDES)

Bar	No.	Size	Length	Shape
a (E)	252	#5	4'-10"	
b (E)	36	#5	37'-8"	
u (E)	252	#5	2'-11"	C
Reinforcement Bars, Epoxy Coated		Pound	3450	
Concrete Superstructure		Cu. Yd.	46	
Floor Drains		Each	20	

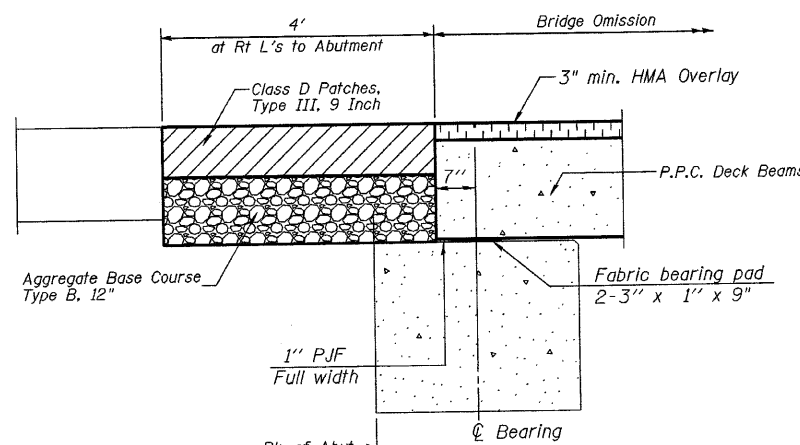


BAR u(E)

BAR d(E)*



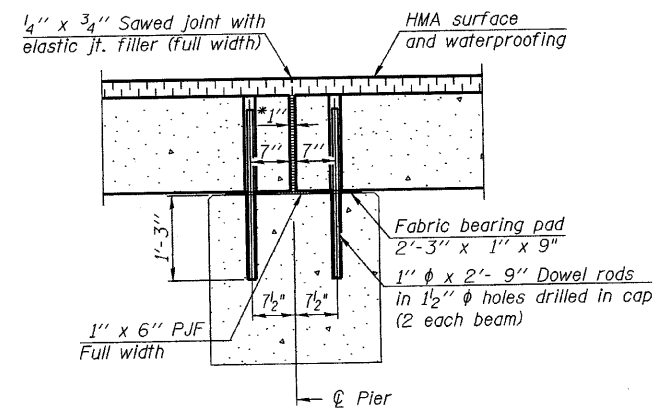
CROSS SECTION



SECTION THRU ABUTMENT

Notes:
 After beams have been erected, holes shall be drilled into substructure and anchor dowels placed. Dowel holes shall be filled with non-shrink grout to top of beam and allowed to cure min. 24 hrs. prior to grouting the shear keys.
 All horizontal dimensions are at right angles to beam ends. See sheets 8 of 11 for bearing pad details.

Dimensions are at Rt L's to centerline Pier and Abutment.



SECTION THRU FIXED PIER

*1" Jt. shall be filled with non-shrink grout. 1" dimension may vary to accommodate tolerance in beam lengths.

FILE NAME = 006-SUPER-DET.DGN

USER NAME = ---
 PLOT SCALE = NONE
 PLOT DATE = 04/10

DESIGNED - J.K.C.
 DRAWN - L.A.G.
 CHECKED - J.K.C.
 DATE - 04/10

REVISED -
 REVISED -
 REVISED -
 REVISED -

**FAU 5958 (OTTAWA AVENUE)
 SECTION 07-00137-00-BR
 GRUNDY COUNTY**

SUPERSTRUCTURE DETAILS
 SCALE: NONE SHEET NO. 6 OF 11 SHEETS STA. TO STA.

F.A.U. RTE.	SECTION	COUNTY	TOTAL SHEETS	SHEET NO.
5958	07-00137-00-BR	GRUNDY	11	6
CONTRACT NO. 87463				
FED. ROAD DIST. NO. [ILLINOIS] FED. AID PROJECT				