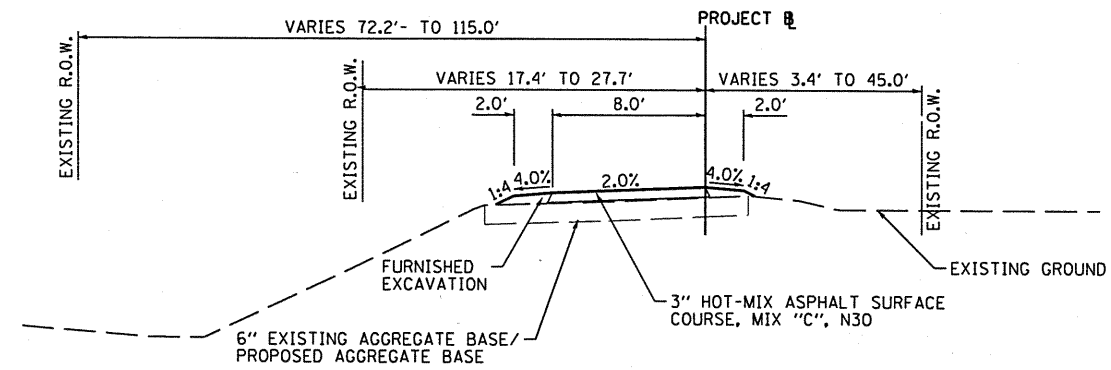
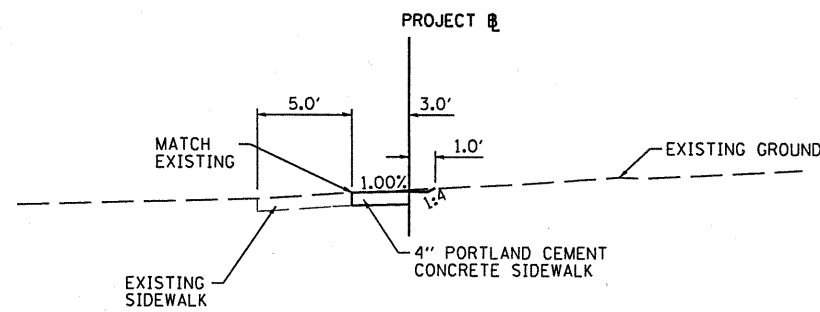


TYPICAL SECTION
 STA. 21+73.19 TO STA. 24+00.00
 STA. 36+38.17 TO STA. 37+15.80
 (MULTI-USE PATH)

LIGHTFOOT RD.
 OMISSION
 STA. 35+89.37 TO STA. 36+38.17



TYPICAL SECTION
 STA. 24+00.00 TO STA. 35+89.37
 (MULTI-USE PATH)



TYPICAL SECTION
 STA. 37+15.80 TO STA. 43+51.81
 (AT SCHOOL)

FILE NAME =	USER NAME = *USER*	DESIGNED - JDS	REVISED -	STATE OF ILLINOIS DEPARTMENT OF TRANSPORTATION	CITY OF FARMINGTON SRTS TYPICAL SECTION			SECTION	COUNTY	TOTAL SHEETS	SHEET NO.
FILEL		DRAWN - WLL	REVISED -					08-00032-00-SW	FULTON	16	3
	PLOT SCALE = *SCALE*	CHECKED - GBM	REVISED -		CONTRACT NO. 89569						
	PLOT DATE = *DATE*	DATE -	REVISED -		SCALE:	SHEET NO. OF SHEETS	STA. TO STA.	ILLINOIS FED. AID PROJECT			