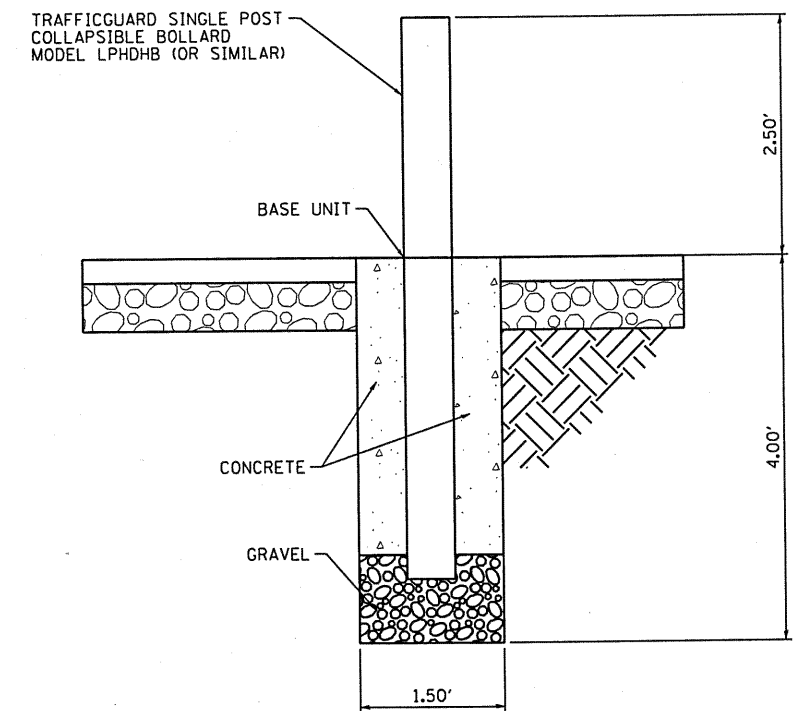
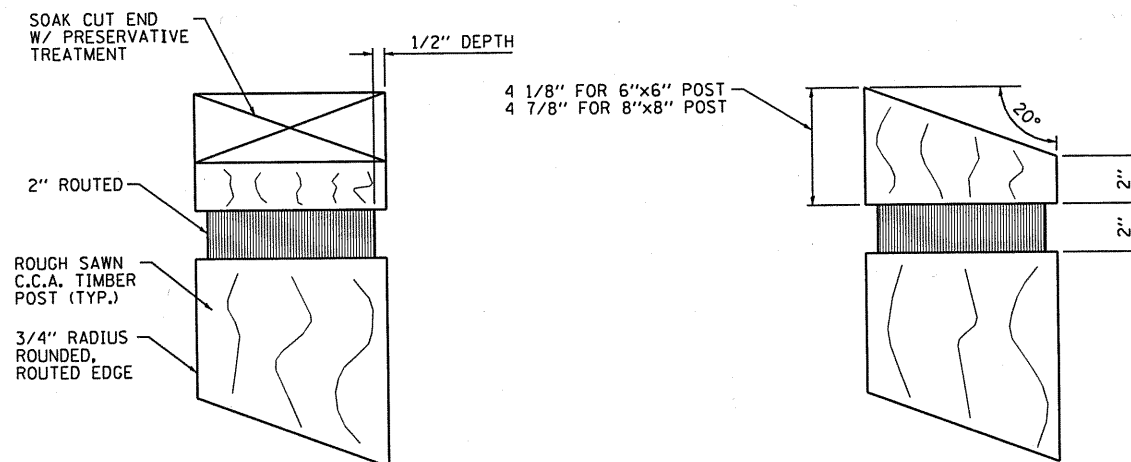


WOOD BOLLARD DETAIL

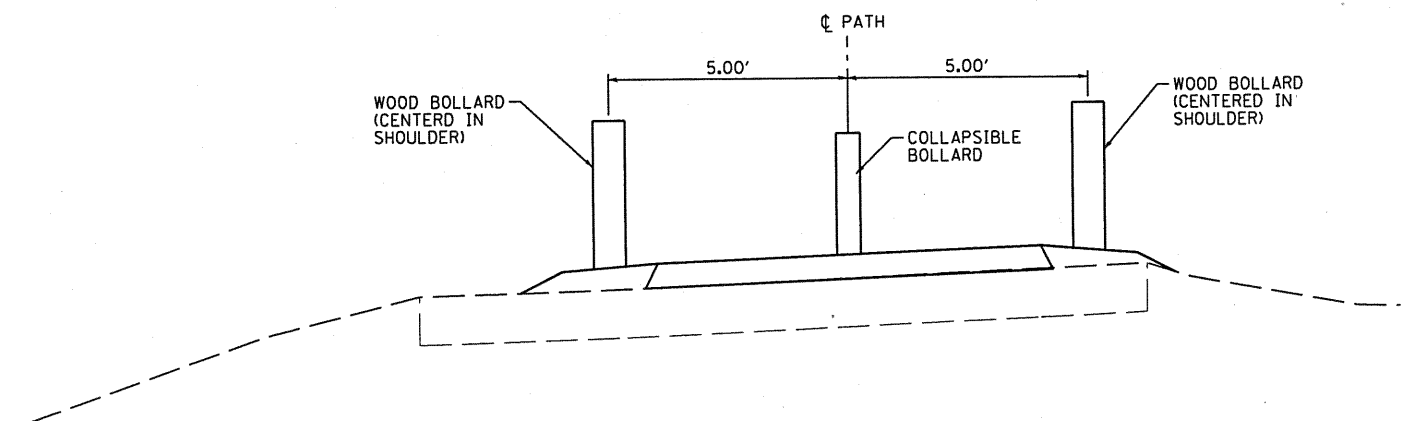


NOTE:
COLLAPSIBLE BOLLARD MUST BE INSTALLED SO ENTIRE LENGTH RESTS ON PAVEMENT WHEN COLLAPSED.

COLLAPSIBLE BOLLARD DETAIL



BOLLARD TOP DETAIL



BOLLARD PLACEMENT DETAIL

FILE NAME =	USER NAME = #USER#	DESIGNED - JDS	REVISED -	STATE OF ILLINOIS DEPARTMENT OF TRANSPORTATION	CITY OF FARMINGTON SRTS VEHICLE CONTROL BOLLARD DETAIL			SECTION	COUNTY	TOTAL SHEETS	SHEET NO.	
#FILE#		DRAWN - WLL	REVISED -		SCALE:	SHEET NO.	OF SHEETS	STA.	TO STA.	08-00032-00-SW	FULTON	16 9
		CHECKED - GBM	REVISED -		CONTRACT NO. 89569							
		DATE -	REVISED -		ILLINOIS FED. AID PROJECT							