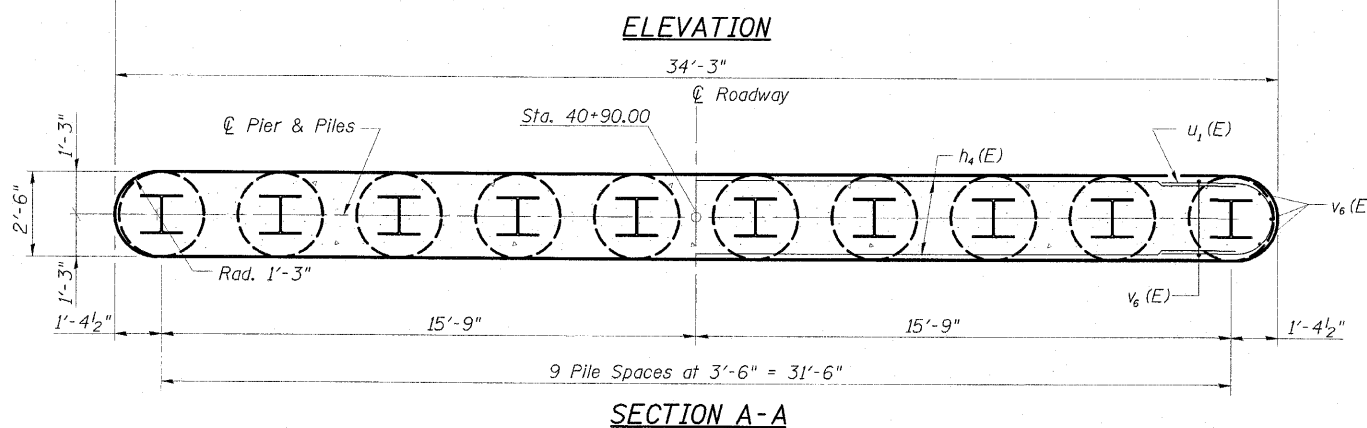
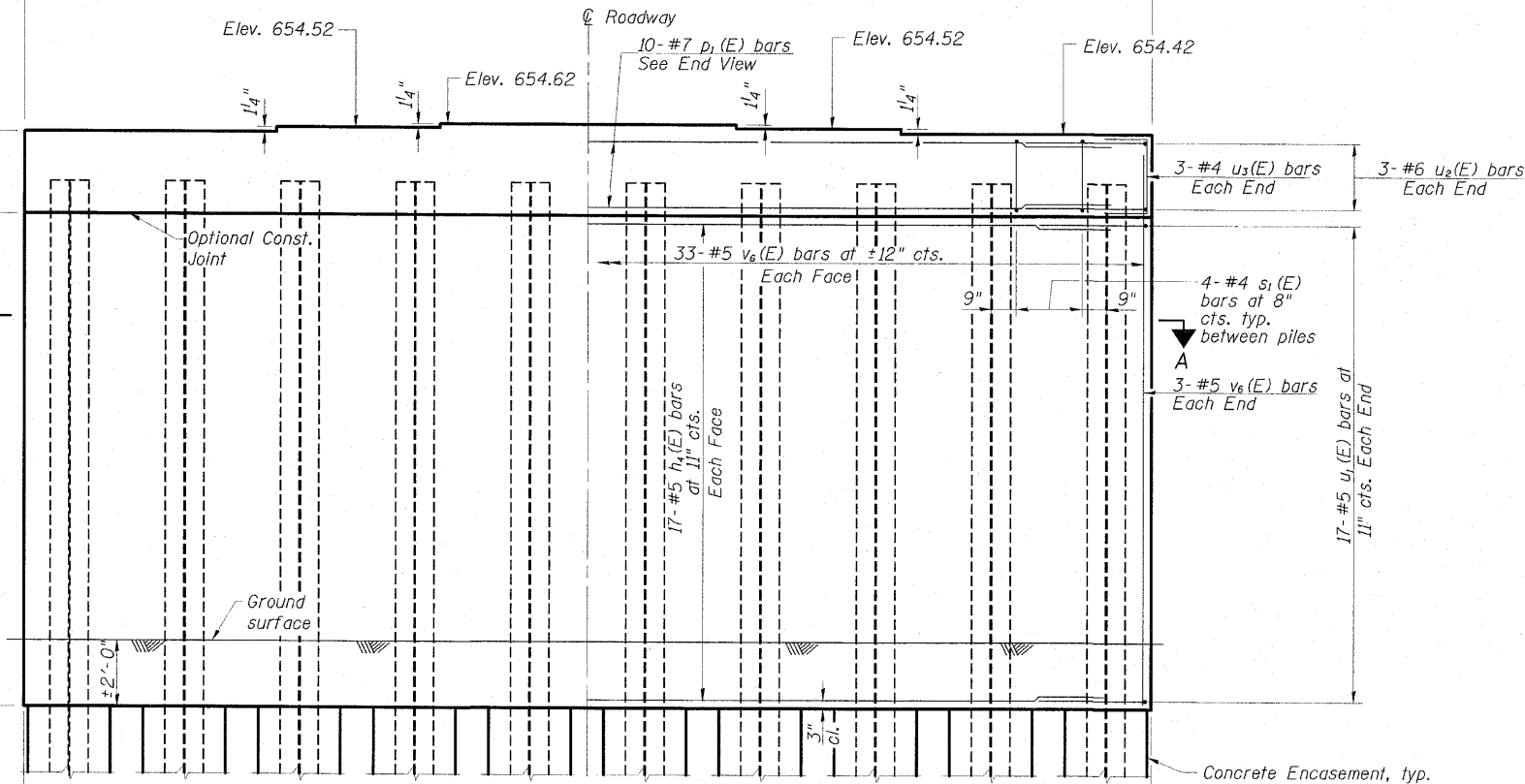
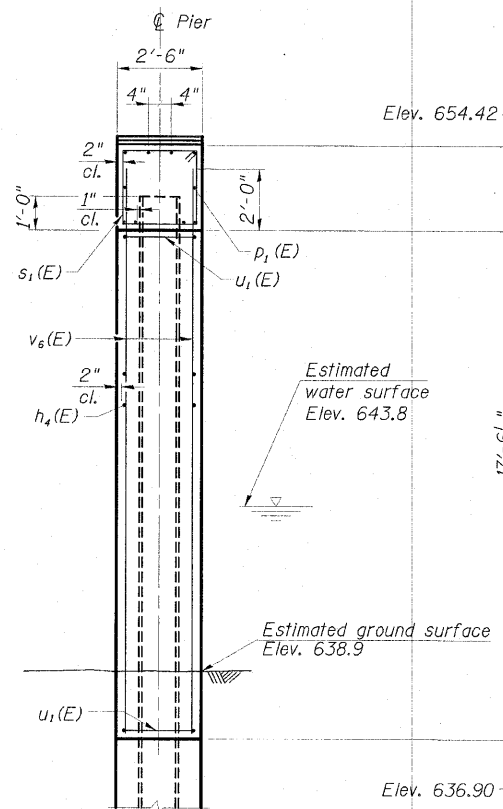
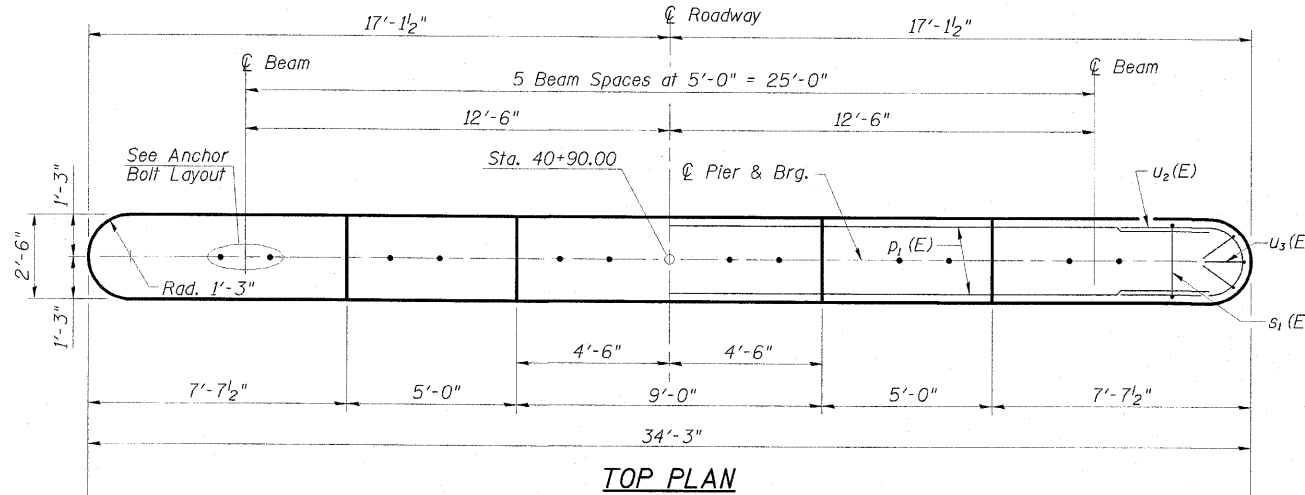
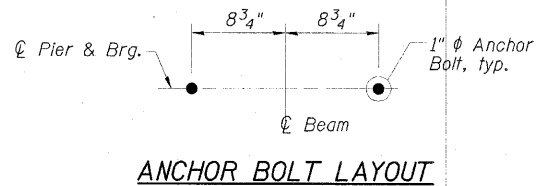


STATE OF ILLINOIS  
DEPARTMENT OF TRANSPORTATION



PILE DATA

Type: HP14x73  
Nominal Required Bearing: 365 kips  
Allowable Resistance Available: 200 kips  
Estimated Pile Length: 85'  
No. of Production Piles: 9  
No. of Test Piles: 1

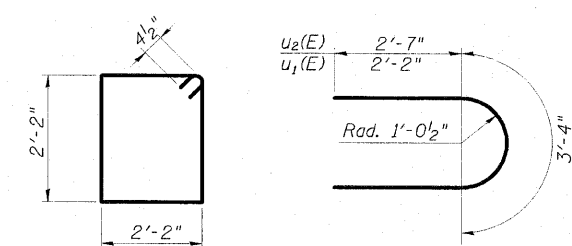
**ESCA**  
CONSULTANTS, INC.

DESIGNED BY: MTD 11/09  
DRAWN BY: DWH 11/09  
CHECKED BY: MTD 11/09  
APPROVED BY: RDP 05/10

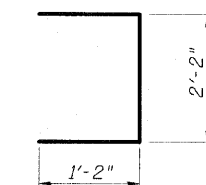
Notes:  
Space reinforcement in cap to miss anchor bolts.  
Four steps monolithically with cap.  
For details of piles and Concrete Encasement, see sheet 21 of 25.  
If a portion of the pier wall or concrete encasement is under water, reinforcement may be placed underwater into forms. Concrete shall be tremied according to Article 503.08 of the Standard Specifications to an elevation of 1'-0" above the water line at the time of construction.

PIER 2  
BILL OF MATERIAL

Bar	No.	Size	Length	Shape
h <sub>4</sub> (E)	34	#5	31'-9"	—
p <sub>1</sub> (E)	10	#7	31'-9"	—
s <sub>1</sub> (E)	36	#4	9'-5"	□
u <sub>1</sub> (E)	34	#5	7'-8"	U
u <sub>2</sub> (E)	6	#6	8'-6"	U
u <sub>3</sub> (E)	6	#4	4'-6"	U
v <sub>6</sub> (E)	72	#5	16'-9"	—
Structure Excavation		Cu. Yd.	18	
Concrete Structures		Cu. Yd.	55.0	
Concrete Encasement		Cu. Yd.	5.5	
Reinforcement Bars, Epoxy Coated		Pound	3,630	
Furnishing Steel Piles HP14x73		Foot	765	
Driving Piles		Foot	765	
Test Pile Steel HP14x73		Each	1	
Underwater Structure Excavation Protection-Location 1		Each	1	



BAR s<sub>1</sub>(E) BARS u<sub>1</sub>(E) & u<sub>2</sub>(E)



BAR u<sub>3</sub>(E)

PIER 2  
STRUCTURE NO. 074-0085

SHEET NO. 19 25 SHEETS	F.A.S. RTE.	SECTION	COUNTY	TOTAL SHEETS	SHEET NO.
	535	08-00255-00-BR	PIATT	62	43
CONTRACT NO. 91436					
FED. ROAD DIST. NO. ILLINOIS FED. AID PROJECT					