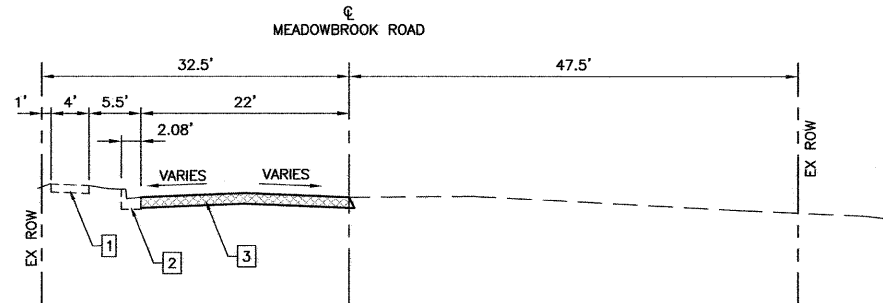


**EXISTING TYPICAL SECTION**  
 STA 9+23.64 TO STA 10+81.14 IS  
 INTERSECTION OF ILES AVENUE AND  
 WILL GET NEW COMBINATION CONCRETE  
 CURB AND GUTTER TYPE B-6.18 AND  
 HOT-MIX ASPHALT PAVEMENT (FULL-DEPTH) 10"  
 ON SUB-BASE GRANULAR MATERIAL, TYPE A 12"



**EXISTING TYPICAL SECTION**  
 MEADOWBROOK ROAD  
 STA 10+81.14 TO STA 16+42.00

**EXISTING TYPICAL SECTION**  
 MEADOWBROOK ROAD  
 STA 16+42.00 TO STA 33+11.34  
 NO EXISTING ROAD

**EXISTING LEGEND**

- 1 EX SIDEWALK TO REMAIN
- 2 EX CURB AND GUTTER TO REMAIN
- 3 EX PAVEMENT TO BE REMOVED

**MEADOWBROOK ROAD STA 9+23.64 TO STA 10+81.14**

**FULL DEPTH PAVEMENT CONSTRUCTION**

HOT-MIX ASPHALT MIXTURE REQUIREMENTS				
ITEM	AGGREGATE COMPOSITION	ASPHALT GRADE	ALLOWABLE RAP	VOIDS
LOWER LIFT BINDER 8"	IL-19.0 OR 25.0	PG 64-22	TBD	4% @ N70
SURFACE COURSE 2"	IL-9.5 OR 12.5 MIX 'D'	PG 64-22	TBD	4% @ N70

**HMA STRUCTURE DESIGN INFORMATION**

DESIGN TRAFFIC (10,300): (2027)  
 P.V. = 9,476 S.U. = 721 M.U. = 103  
 T.F. = 1.32 (80K)  
 DESIGN STRAIN = 97.5  
 E = 540 (P.G. 64-22)  
 SSR : FAIR  
 TOTAL THICKNESS : 10" FULL DEPTH HMA  
 CONSTRUCT : 2" HOT-MIX ASPHALT SURFACE  
 8" HOT-MIX ASPHALT BINDER

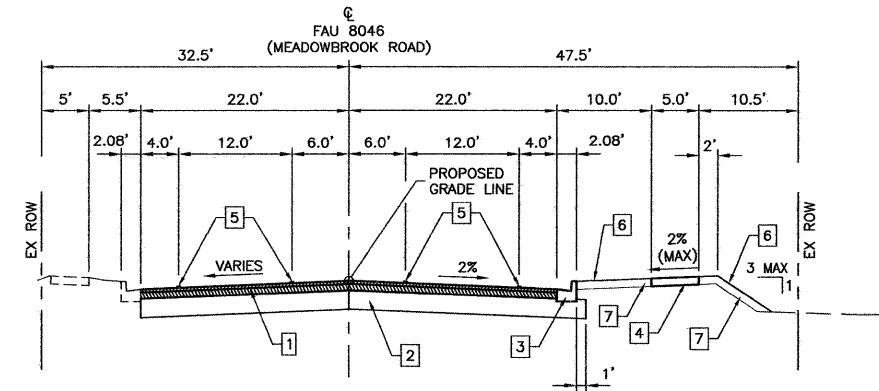
**MEADOWBROOK ROAD STA 10+81.14 TO STA 33+11.34**

**FULL DEPTH PAVEMENT CONSTRUCTION**

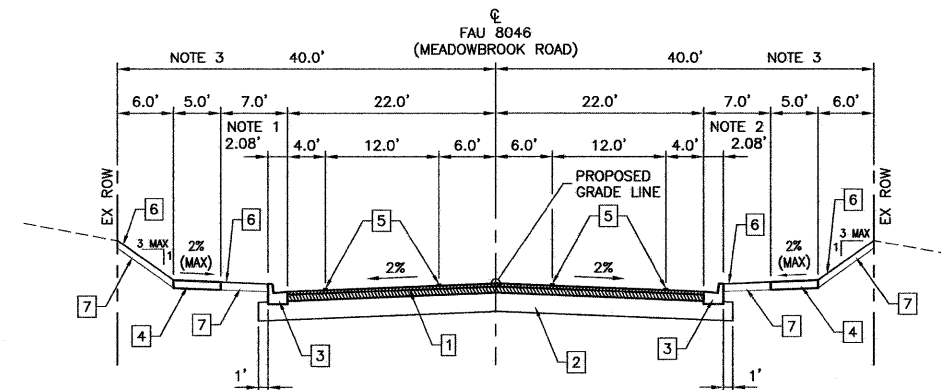
HOT-MIX ASPHALT MIXTURE REQUIREMENTS				
ITEM	AGGREGATE COMPOSITION	ASPHALT GRADE	ALLOWABLE RAP	VOIDS
LOWER LIFT BINDER 4"	IL-19.0	PG 64-22	TBD	4% @ N50
TOP LIFT BINDER 2 1/2"	IL-19.0	SBS PG 70-22	TBD	4% @ N50
SURFACE COURSE 2"	IL-9.5 OR 12.5 MIX 'C'	SBS PG 70-22	TBD	4% @ N50

**HMA STRUCTURE DESIGN INFORMATION**

DESIGN TRAFFIC (1,405): (2020)  
 P.V. = 1,377 S.U. = 14 M.U. = 14  
 T.F. = 0.07  
 DESIGN STRAIN = 333  
 E = 526 (P.G. 70-22 OR P.G. 64-22)  
 SSR : POOR  
 TOTAL THICKNESS : 8 1/2" FULL DEPTH HMA  
 CONSTRUCT : 2" HOT-MIX ASPHALT SURFACE  
 6 1/2" HOT-MIX ASPHALT BINDER



**PROPOSED TYPICAL SECTION**  
 MEADOWBROOK ROAD  
 STA 10+81.14 TO STA 16+41.97



**PROPOSED TYPICAL SECTION**  
 MEADOWBROOK ROAD  
 STA 16+41.97 TO STA 33+11.34

**PROPOSED LEGEND**

- 1 HMA PAVEMENT (FULL-DEPTH) 8 1/2"
- 2 PR LIME MODIFIED SOIL MIXTURE 12"
- 3 PR COMBINATION CONCRETE CURB AND GUTTER, TYPE B-6.18
- 4 PR PORTLAND CEMENT CONCRETE SIDEWALK 4"
- 5 PR THERMOPLASTIC PAVEMENT MARKING
- 6 PR SEEDING, CLASS 2A AND MULCH, METHOD 2
- 7 PR TOPSOIL FURNISH AND PLACE, 4"

**NOTE 1:** SIDEWALK EDGE IS 4.25' OFF EDGE OF PAVEMENT FROM STA 16+55.62 TO STA 18+24.44 AND VARIES FROM 4.25' TO 7.0' OFF EDGE OF PAVEMENT FROM STA 18+24.44 TO STA 19+16.15

**NOTE 2:** SIDEWALK EDGE IS 10.00' OFF EDGE OF PAVEMENT TO STA 18+22.44 AND VARIES FROM 10.0' TO 7.0' OFF EDGE OF PAVEMENT FROM STA 18+22.44 TO STA 19+16.15

**NOTE 3:** STA 17+00.00 TO STA 19+16.15 ROW TRANSITION FROM 32.50' LEFT TO 40.00' LEFT AND FROM 47.50' RIGHT TO 40.00' RIGHT. ROADWAY AND CURBS REMAIN SYMMETRICAL ABOUT CENTERLINE

2"	SURFACE LIFT	HMA PAVEMENT (FULL-DEPTH) 8 1/2"
2 1/2"	TOP LIFT BINDER	
4"	LOWER LIFT BINDER	
12"	IMPROVED SUBGRADE	

SHEET TITLE	
<b>TYPICAL SECTIONS</b>	
PROJECT FAU RTE. 8046 (MEADOWBROOK ROAD) SECTION 09-00465-00-PV CITY OF SPRINGFIELD SANGAMON COUNTY	PROJECT NO. 09040 SCALE DATE 4/19/10 DRAWN BY PPW CHECKED BY DRAWING NO. 4
OF 30 SHTS	