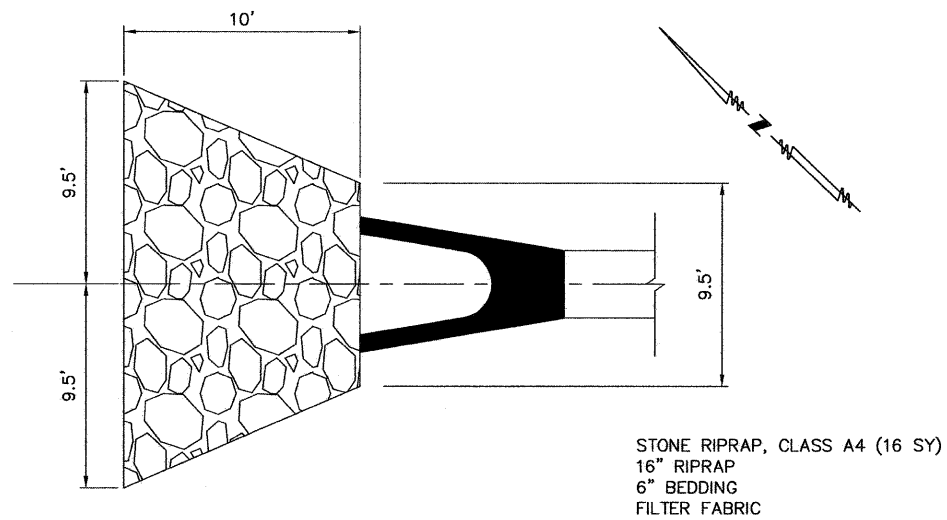
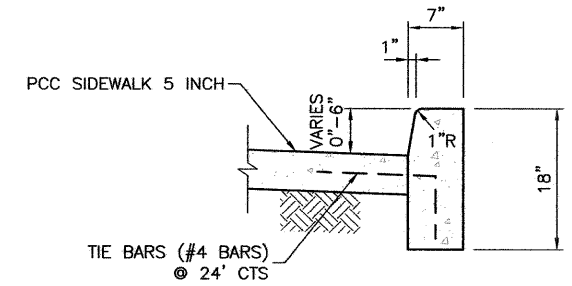


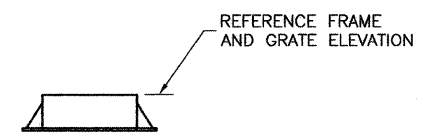
**STABILIZED CONSTRUCTION ENTRANCE**  
N.T.S.



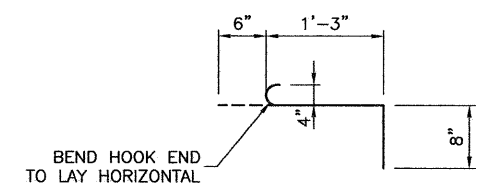
**RIPRAP AT 18" PRC FLARED END SECTION**



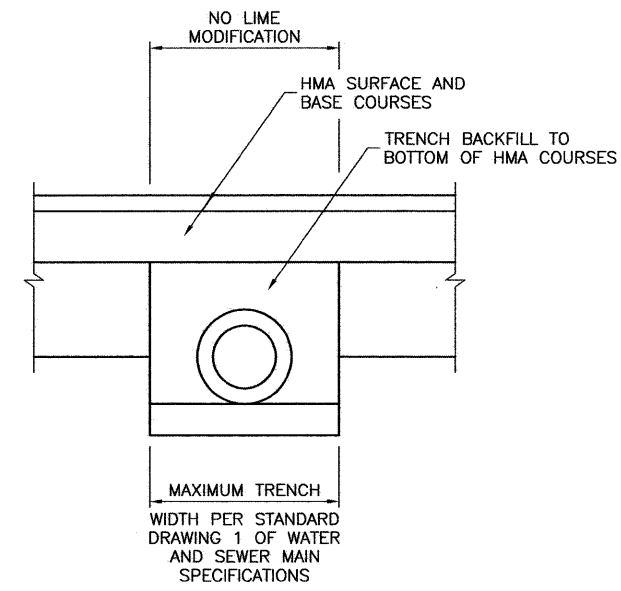
**BARRIER CURB ADJACENT TO PCC SIDEWALK 5 INCH**



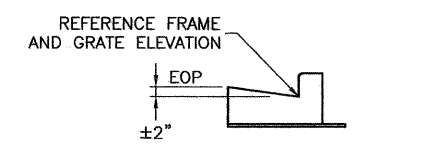
**FRAME AND LIDS, TYPE 1**



**TIE BAR (#4 BARS)**  
TIE BARS WILL BE PAID FOR EACH

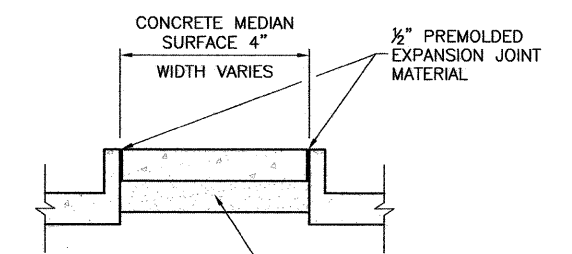


**BACKFILL DETAIL**  
LINES 1-2, 10-11, 12-13  
17-18, 14-8, 15-7, 33-16  
19-EX PIPE AND 20-EX PIPE



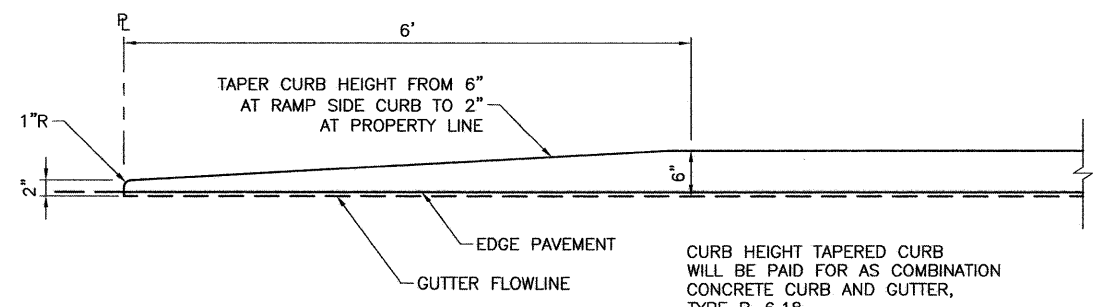
**FRAME AND GRATE, TYPE 3**

**REFERENCE FRAME AND GRATE ELEVATIONS**



NOTE: COST OF AGGREGATE/SAND BASE AND JOINT MATERIAL SHALL BE INCLUDED IN THE COST OF CONCRETE MEDIAN SURFACE, 4 INCH

**CONCRETE MEDIAN SURFACE, 4 INCH**



**CURB HEIGHT TAPER**

SHEET TITLE	
<b>CONSTRUCTION DETAILS</b>	
PROJECT FAU RTE. 8046 (MEADOWBROOK ROAD) SECTION 09-00465-00-PV CITY OF SPRINGFIELD SANGAMON COUNTY	PROJECT NO. 09040 SCALE DATE 4/19/10 DRAWN BY PPW CHECKED BY
	DRAWING NO. 22
	OF 30 SHTS