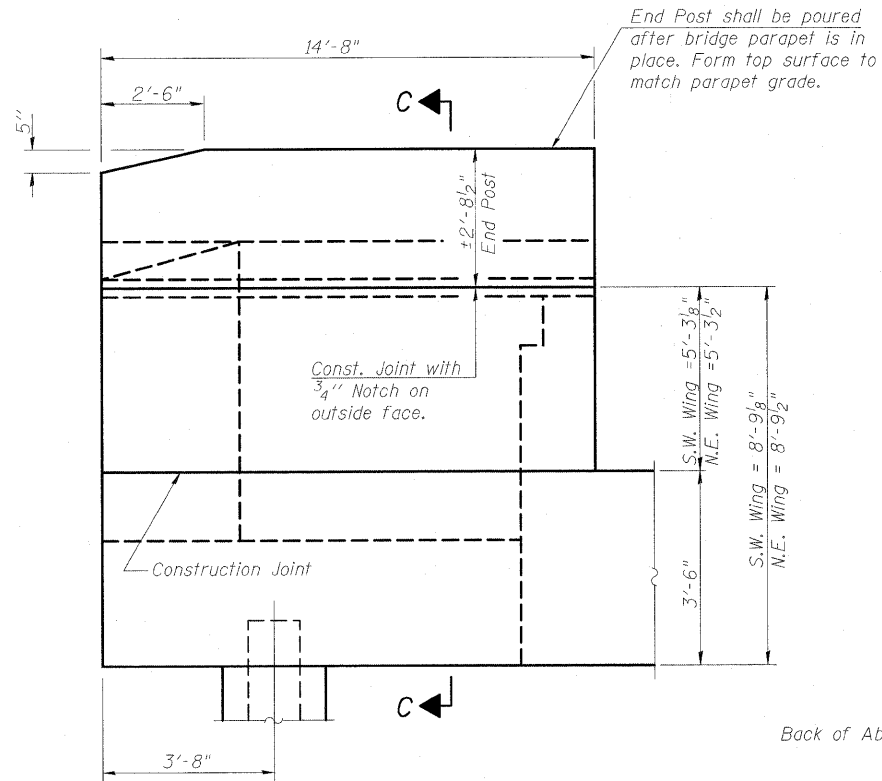
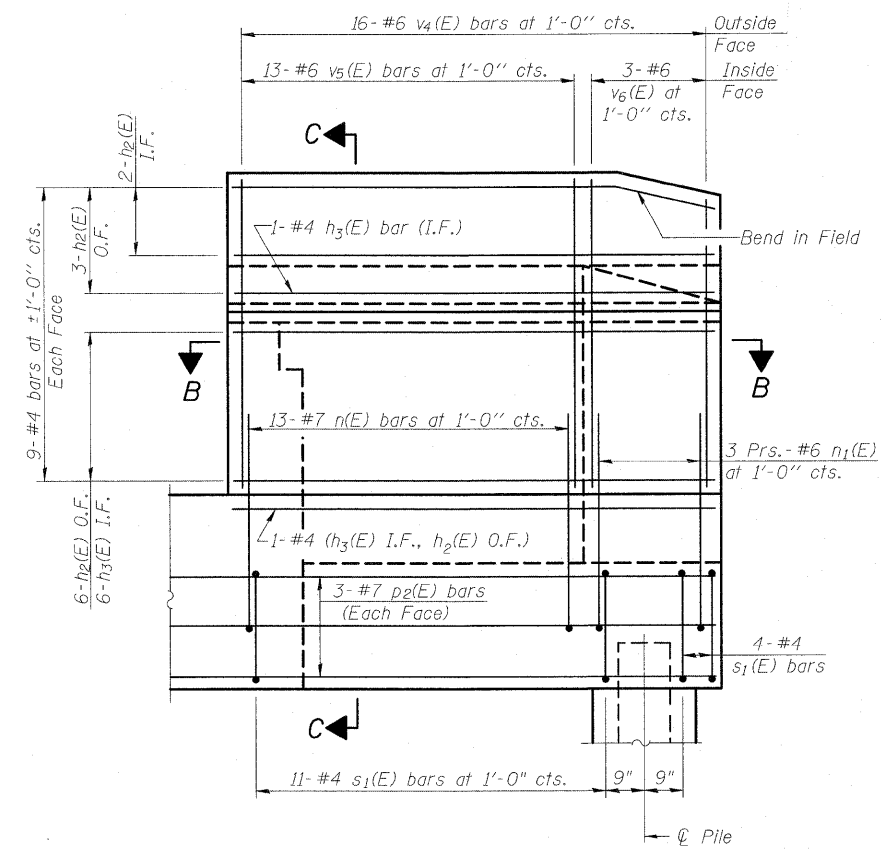


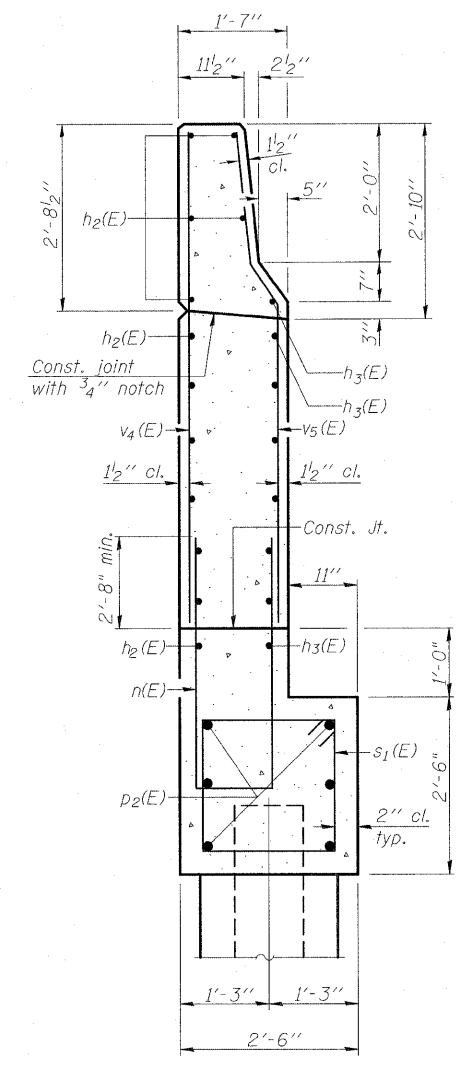
STATE OF ILLINOIS
DEPARTMENT OF TRANSPORTATION



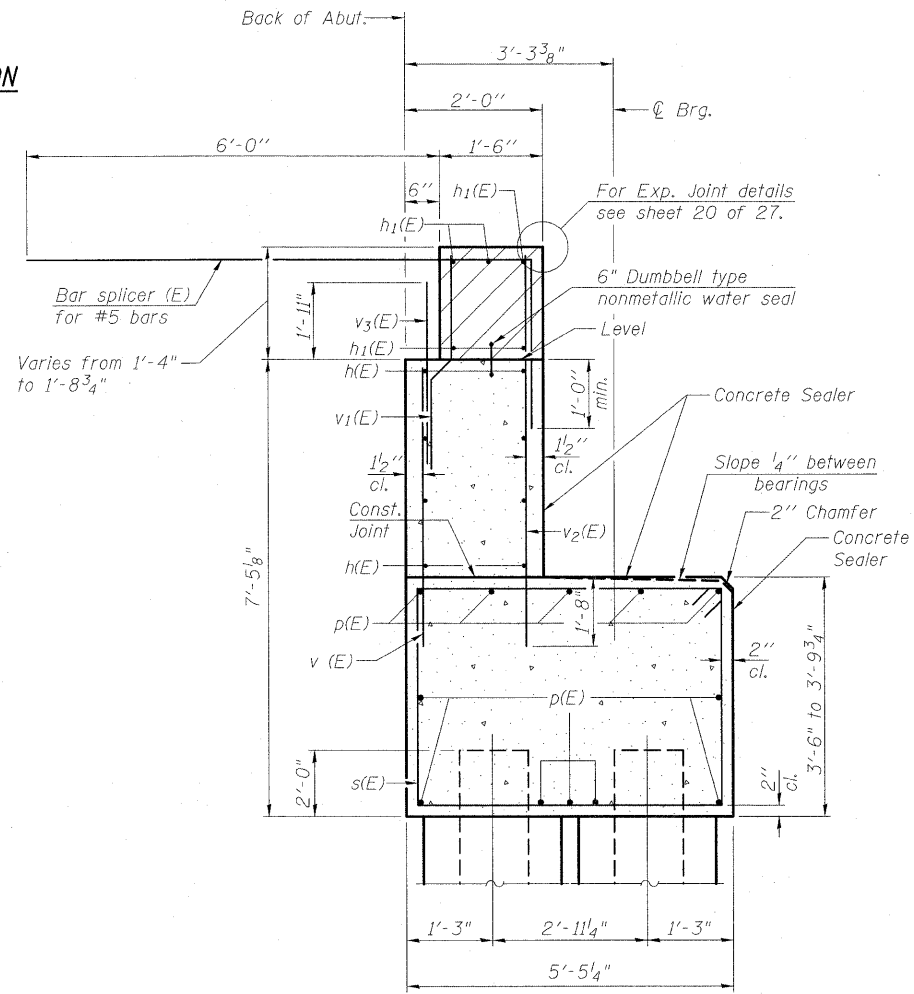
WING WALL ELEVATION
Showing Dimensions



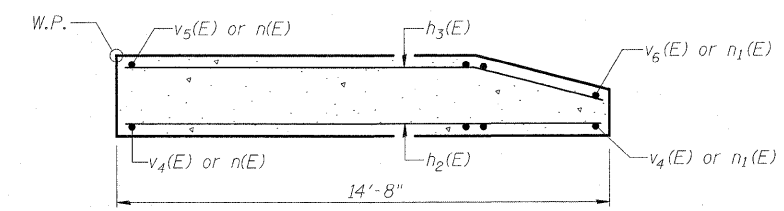
WING WALL ELEVATION
Showing Reinforcement



SECTION C-C



SEC. THRU WEST ABUT.
(Dimensions taken at
Rt. L's to Back of Abut.)



SECTION B-B

Notes:
Hatched area to be poured after superstructure false work has been removed. Quantity of concrete included with Concrete Superstructure.
Space reinforcement in cap to miss anchor bolts.
Pour steps monolithically with cap.
Quantity of concrete in end post included with Concrete Superstructure on sheet 9 of 27.
For Concrete Encasement details, see sheet 24 of 27.
Apply concrete sealer to vertical front face of backwall, horizontal surface of cap and vertical front face of abutment cap.

DESIGNED	B.B.
CHECKED	C.J.F.
DRAWN	J.G.
CHECKED	C.J.F. & B.B.

**NORTHEAST & SOUTHWEST
ABUTMENT WINGWALL
ILLINOIS ROUTE 1
OVER NORFOLK SOUTHERN RR
STA. 757+97.66**



**BERNARDIN
LOCHMUELLER &
ASSOCIATES, INC.**

3 Oak Drive
Maryville, IL 62452-5655
Local (618) 338-4655
Fax 618-338-4666

SHEET NO. 16 27 SHEETS	F.A.P. RTE.	SECTION	COUNTY	TOTAL SHEETS	SHEET NO.
	332	103B-1	WABASH	90	50
SN 093-0023			CONTRACT NO. 94754		
FED. ROAD DIST. NO. 7 ILLINOIS FED. AID PROJECT 332					