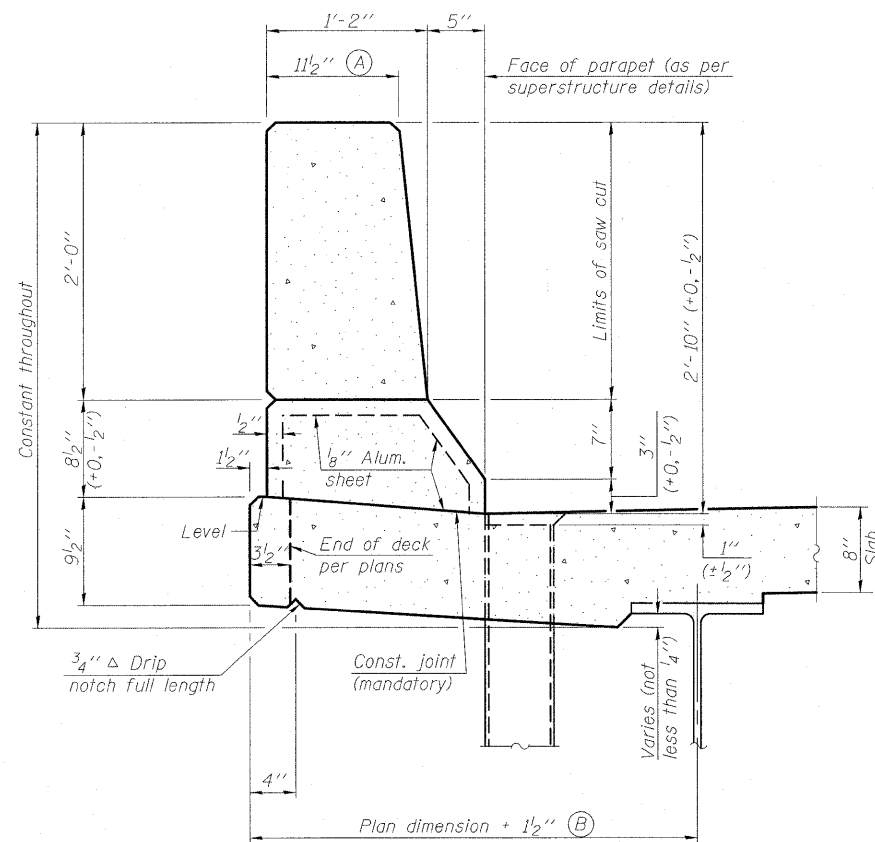
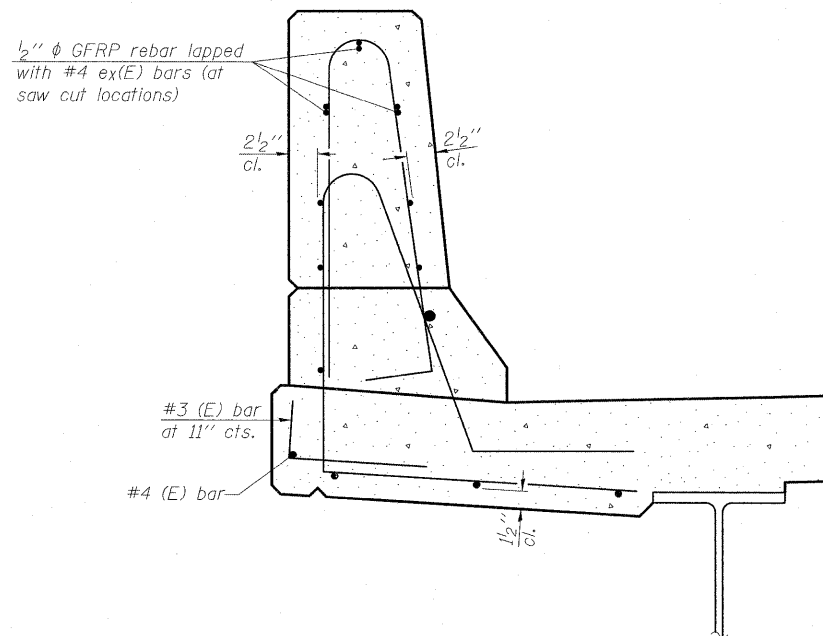


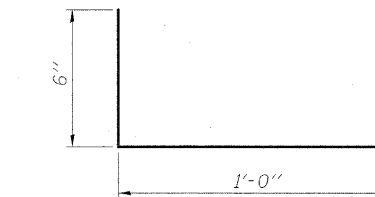
STATE OF ILLINOIS  
DEPARTMENT OF TRANSPORTATION



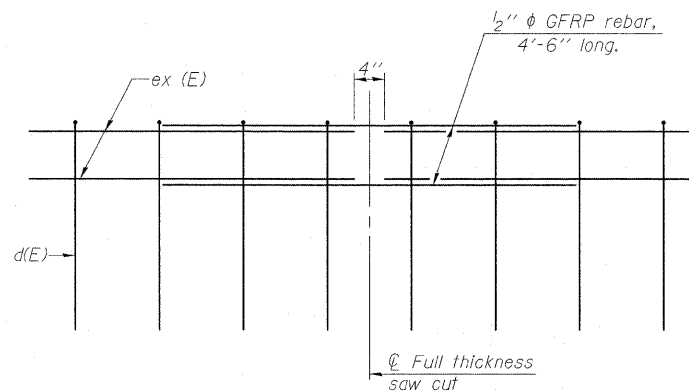
**SECTION**  
(Showing dimensions)



**SECTION**  
(Showing reinforcement clearances for slip forming and additional reinforcement bars)



**#3 (E) BAR**



**GFRP REBAR STIFFENING DETAIL**

(Place as shown in parapet section at each parapet joint location.)

**GENERAL NOTES**

All dimensions shall remain the same as shown on contract plans, except dimensions A and B which are to be revised as shown to provide additional clearance. Additional concrete needed to revise dimension A and B = 0.0165 cu. yds./ft. of parapet.  
Place aluminum sheet in curb portion at and near piers. Full thickness saw cut at all joint locations in lieu of cork joint filler.

**CONCRETE PARAPET  
SLIPFORMING OPTION  
ILLINOIS ROUTE 1  
OVER NORFOLK SOUTHERN RR  
STA. 757+97.66**

DESIGNED	
CHECKED	
DRAWN	J.G.
CHECKED	C.J.F. & B.B.

SFP-34 5-16-08



**BERNARDIN  
LOCHMUELLER &  
ASSOCIATES, INC.**

8 Oak Drive  
Maryville, IL 62452-5635  
Local (618) 288-4665  
Fax 618-288-4666

SHEET NO. 23 27 SHEETS	F.A.P. RTE. 332	SECTION 103B-1	COUNTY WABASH	TOTAL SHEETS 90	SHEET NO. 57
	SN 093-0023		CONTRACT NO. 94754		
FED. ROAD DIST. NO. 7 ILLINOIS FED. AID PROJECT 332					