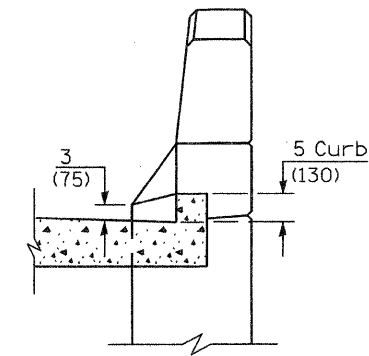
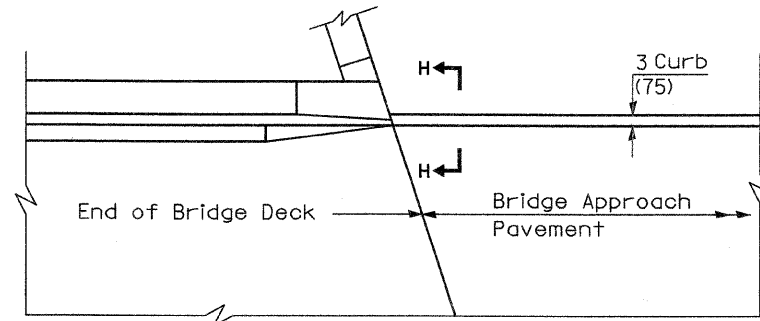


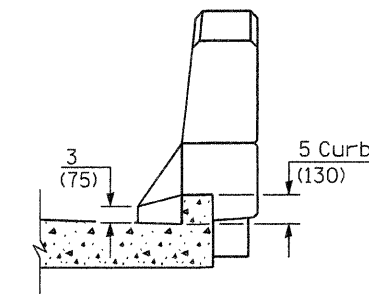
**PARAPET TO CURB TRANSITION
PILE BENT ABUTMENT**



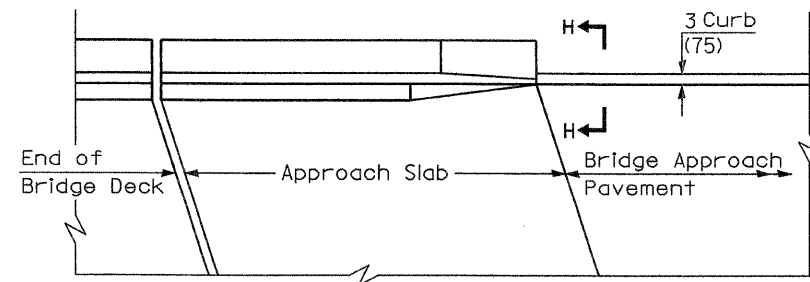
SECTION I - I



**PARAPET TO CURB TRANSITION
INTEGRAL ABUTMENT**



SECTION H - H



**PARAPET TO CURB TRANSITION
VAULTED ABUTMENT**

BRIDGE APPROACH PAVEMENT

(Sheet 4 of 4)

Illinois Department of Transportation	
APPROVED January 1, 2008 <i>Ralph E. Anderson</i> ENGINEER OF BRIDGES AND STRUCTURES	ISSUED 1-1-97
APPROVED January 1, 2008 <i>Ken E. Han</i> ENGINEER OF DESIGN AND ENVIRONMENT	