

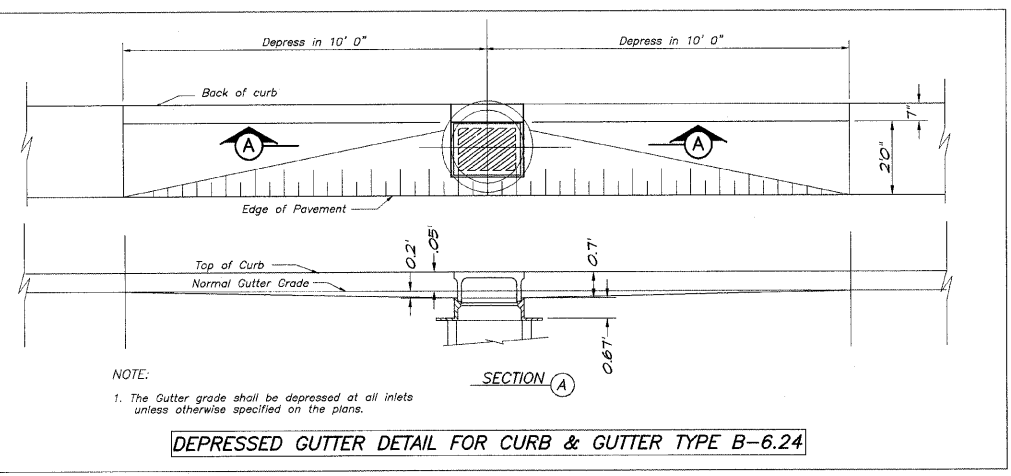
ROUTE NO.	SECTION	CITY	TOTAL SHEETS	SHEET NO.
	05-00001-00-RP	OREANA	46	27
FED. ROAD DIST. NO.	ILLINOIS		PROJECT	HPP-0913 (001)

CONTRACT NUMBER 95537

REVISIONS	NO.	BY	DATE
1	MHP	JSC-07	
2	MHP	JSC-07	

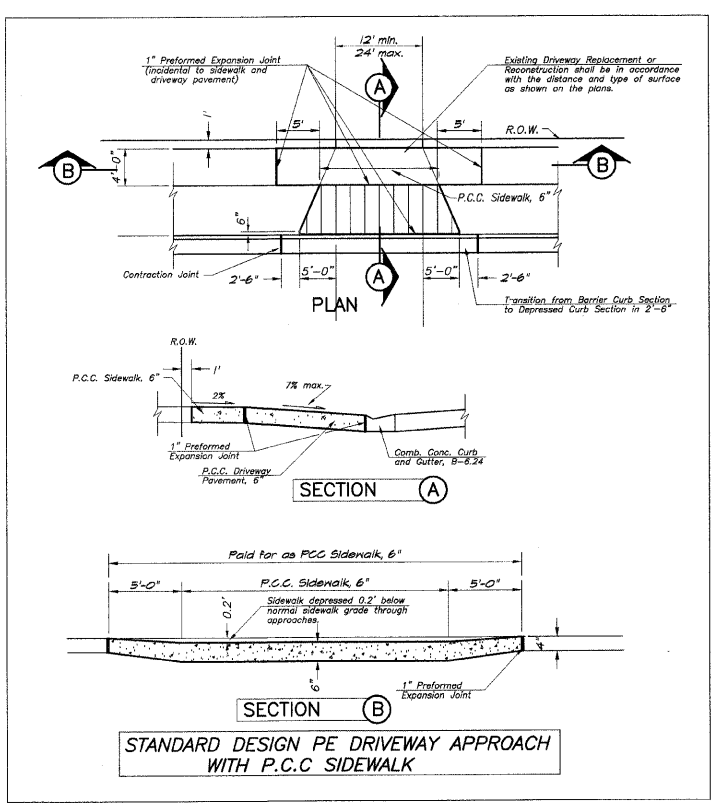
DESIGNED BY: MHP
 DRAWN BY: Les Jenkha
 FIELD BOOK NO.: XXX
 JOB NO.: 06-040A
 ILLINOIS License 194-001285

VILLAGE OF OREANA, ILLINOIS
 SAFE TRAIL PROJECT
MISCELLANEOUS DETAILS

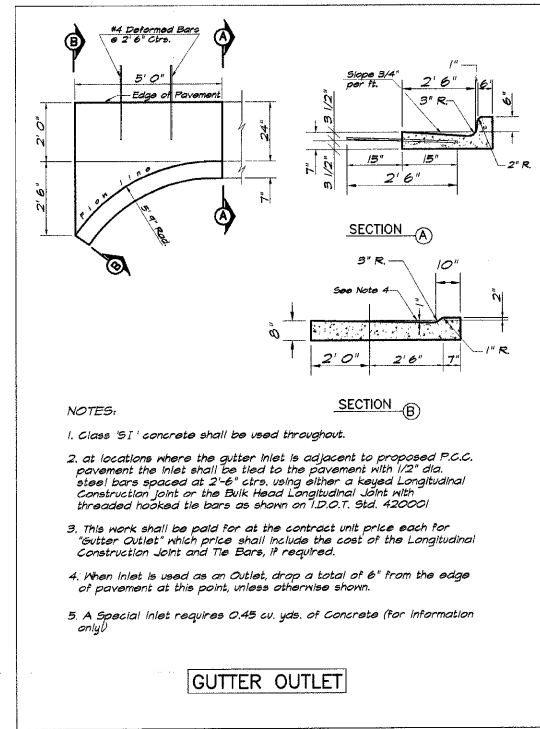


NOTE:
 1. The gutter grade shall be depressed at all inlets unless otherwise specified on the plans.

DEPRESSED GUTTER DETAIL FOR CURB & GUTTER TYPE B-6.24

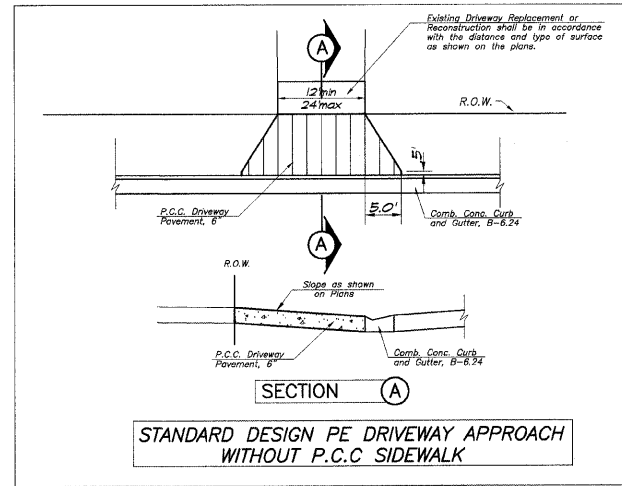


STANDARD DESIGN PE DRIVEWAY APPROACH WITH P.C.C. SIDEWALK

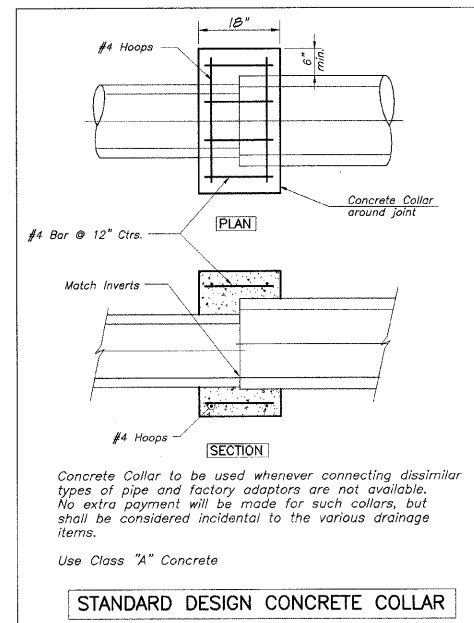


NOTES:
 1. Class 'SI' concrete shall be used throughout.
 2. at locations where the gutter inlet is adjacent to proposed P.C.C. pavement the inlet shall be tied to the pavement with 1/2" dia. steel bars spaced at 2'-6" ctrs. using either a keyed longitudinal construction joint or the Bulk Head Longitudinal joint with threaded hooked tie bars as shown on 12.0.11, Std. 420001
 3. This work shall be paid for as the contract unit price each for "Gutter Outlets" which price shall include the cost of the Longitudinal Construction Joints and Tie Bars, if required.
 4. When Inlet is used as an Outlet, drop a total of 6" from the edge of pavement at this point, unless otherwise shown.
 5. A special inlet requires 0.45 cu. yds. of Concrete (for information only)

GUTTER OUTLET

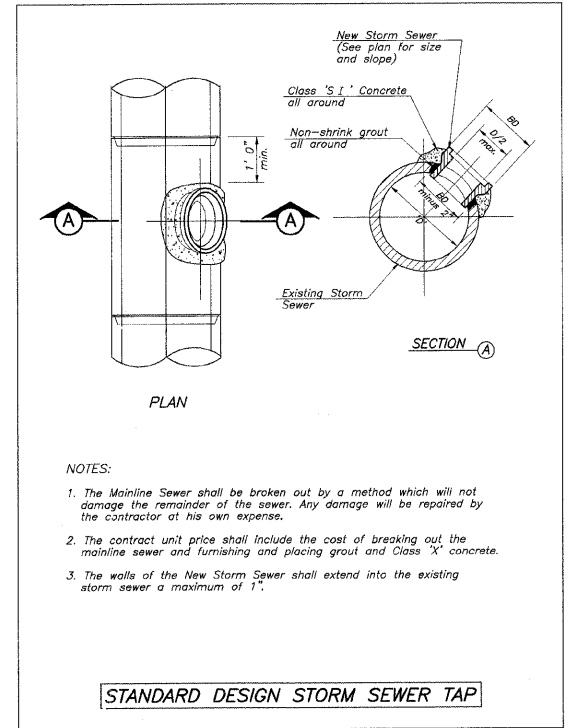


STANDARD DESIGN PE DRIVEWAY APPROACH WITHOUT P.C.C. SIDEWALK



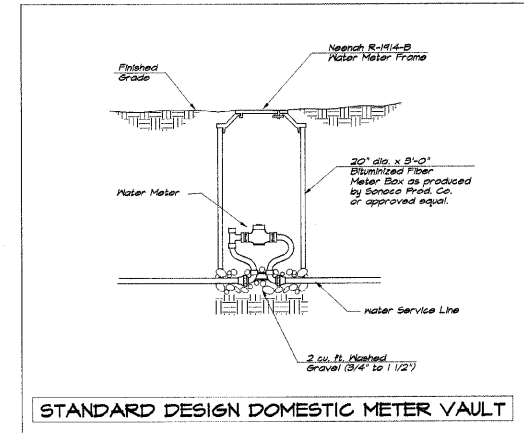
Concrete Collar to be used whenever connecting dissimilar types of pipe and factory adaptors are not available. No extra payment will be made for such collars, but shall be considered incidental to the various drainage items.
 Use Class "A" Concrete

STANDARD DESIGN CONCRETE COLLAR



NOTES:
 1. The Mainline Sewer shall be broken out by a method which will not damage the remainder of the sewer. Any damage will be repaired by the contractor at his own expense.
 2. The contract unit price shall include the cost of breaking out the mainline sewer and furnishing and placing grout and Class "X" concrete.
 3. The walls of the New Storm Sewer shall extend into the existing storm sewer a maximum of 1'.

STANDARD DESIGN STORM SEWER TAP



STANDARD DESIGN DOMESTIC METER VAULT