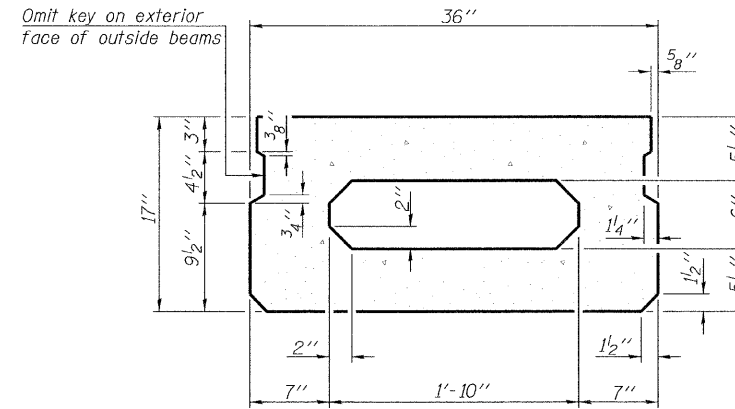
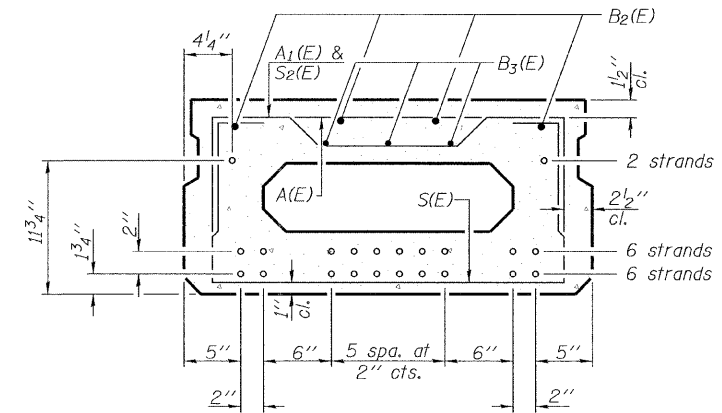


SECTION C-C



SECTION A-A
(Showing dimensions)

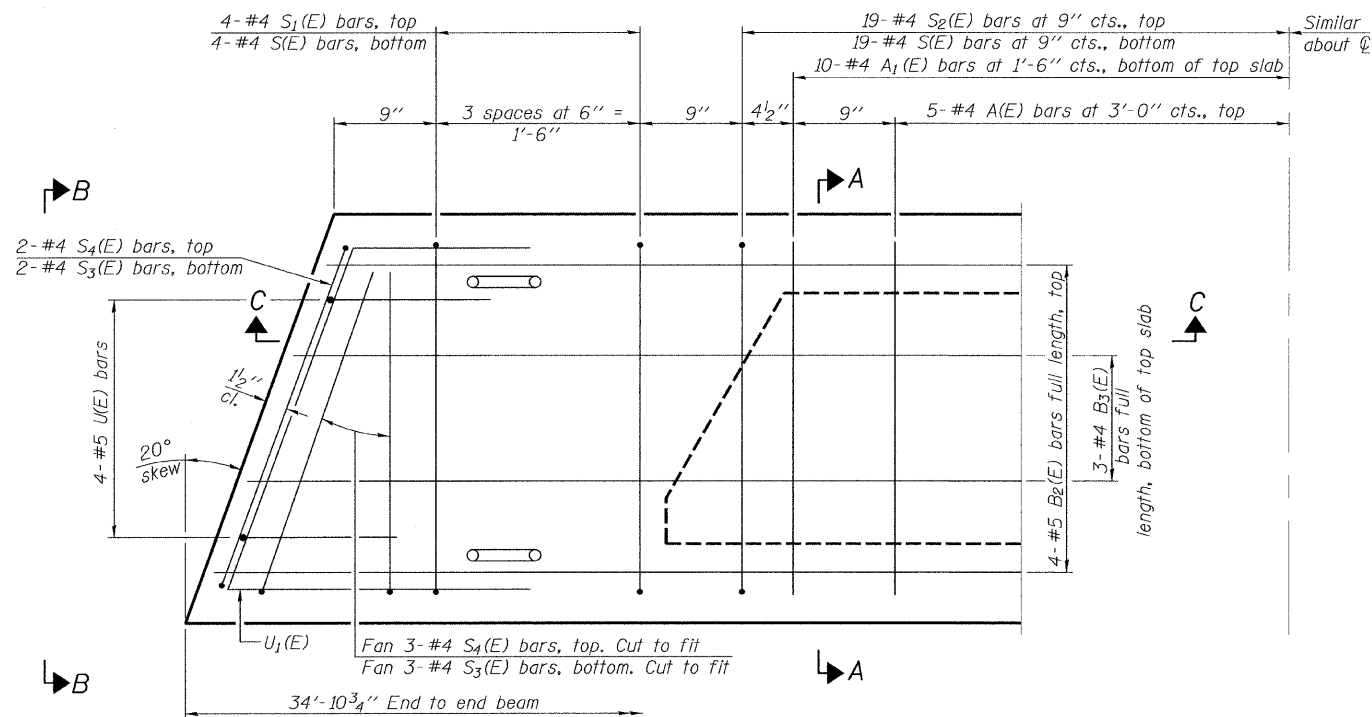


SECTION A-A
(Showing reinforcement and permissible strand locations)

Note: Place the number of strands specified in each row symmetrically about the centerline of beam in the permissible strand locations shown.

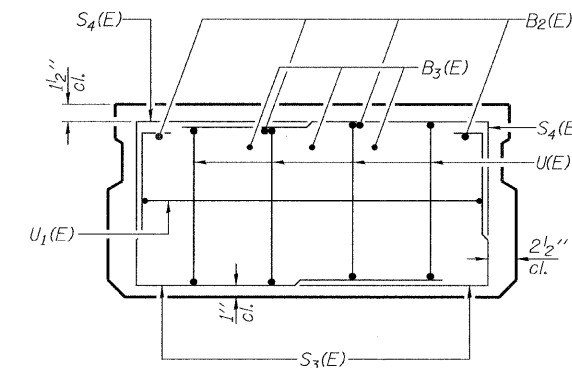
MINIMUM BAR LAP

#4 bar = 2'-0"
#5 bar = 2'-6"



PLAN VIEW

Note: Spacing of S(E) and S2(E) bars may be adjusted up to 4" in the immediate area of the transverse tie diaphragms to miss the block outs for the transverse ties.

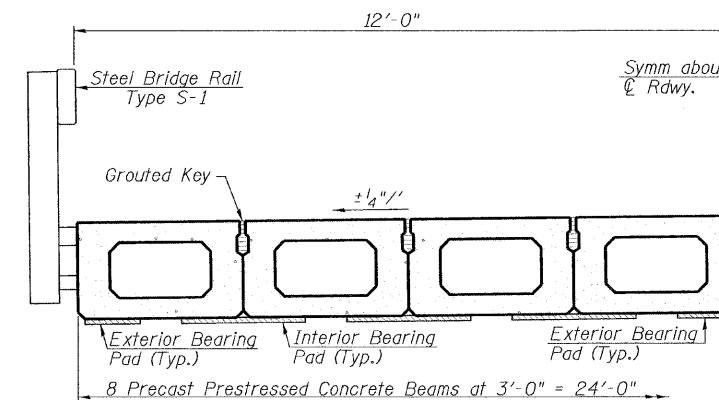


VIEW B-B

BAR LIST
ONE BEAM ONLY
(For information only)

Bar	No.	Size	Length	Shape
A(E)	10	#4	2'-7"	—
A1(E)	20	#4	2'-10"	—
B2(E)	4	#5	34'-7"	—
B3(E)	3	#4	34'-7"	—
S(E)	46	#4	5'-9"	U
S1(E)	8	#4	4'-3"	U
S2(E)	38	#4	4'-6"	U
S3(E)	10	#4	4'-2"	U
S4(E)	10	#4	3'-5"	U
U(E)	8	#5	3'-8"	U
U1(E)	2	#4	6'-1"	U

Note: See sheet 9 of 21 for additional details and Bill of Material.



HALF CROSS SECTION

17" X 36" PPC DECK BEAM
(SPAN 2)
S.N. 087-3571



T.R. RTE.	SECTION	COUNTY	TOTAL SHEETS	SHEET NO.
140	09-05118-00-BR	SHELBY	21	8
STR. NO. 087-3571		CONTRACT NO. 95628		
FED. ROAD DIST. NO. ILLINOIS FED. AID PROJECT				