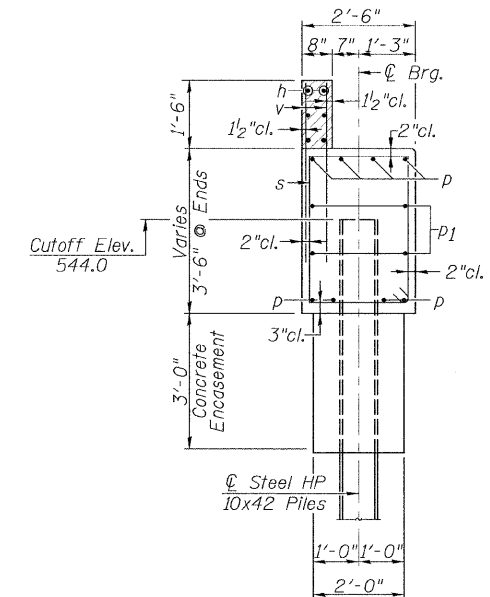


ELEVATION
(S. Abut. Looking South)
(N. Abut. Looking North)

PILE DATA

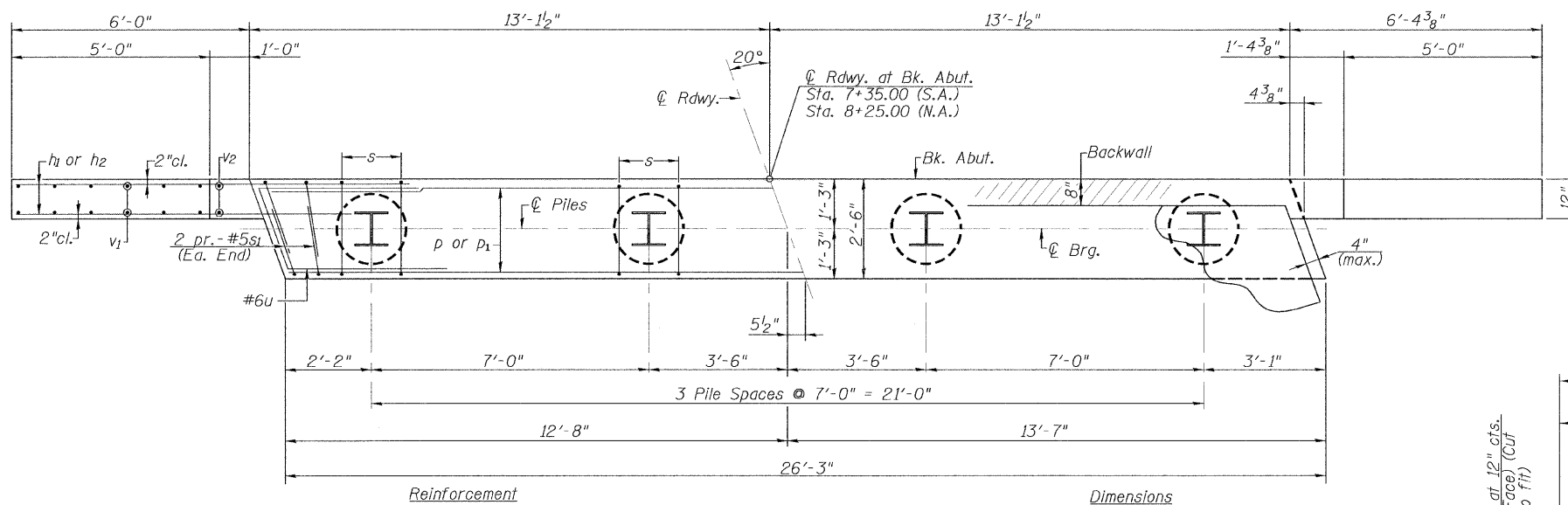
Type:	(S. Abut.)	(N. Abut.)
Nominal Required Bearing:	Steel HP 10x42	Steel HP 10x42
Factored Resistance Available:	206 Kips	206 Kips
Estimated Pile Length:	44'	45'
Number of Production:	3	3
Number of Test Piles:	1	1



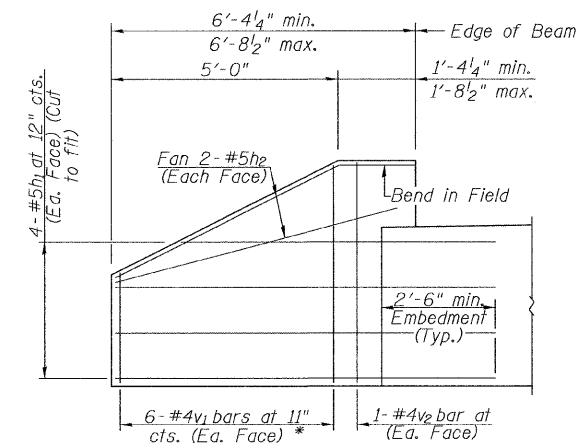
SECTION THRU ABUTMENT

NOTES

- All exposed edges shall have standard 3/4" chamfer.
- Space reinforcement in cap to miss beam anchor dowels.
- Wingwalls and Backwalls may, at the contractor's option, be cast monolithically.
- Hatched area and wingwalls shall be poured after deck beams are anchored in place.
- The Steel H-Piles shall be according to AASHTO M270, Grade 50.
- If a portion of the pier wall or concrete encasement is under water, reinforcement may be placed underwater into forms.
- Concrete shall be tremied according to Article 503.08 of the Standard Specifications to an elevation of 1'-0" above the water line at the time of construction.
- The Contractor shall drive test piles to 110% of the nominal required bearing specified in production locations at substructures specified or approved by the Engineer before ordering the remainder of piles.



PLAN

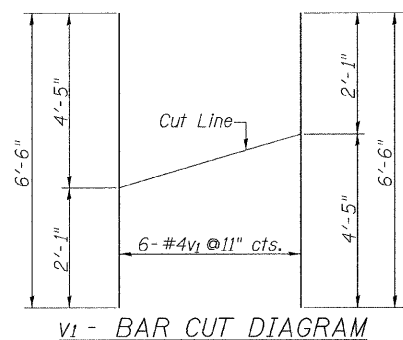


WINGWALL ELEVATION
(Showing Reinforcement)
* See v1-bar cut diagram

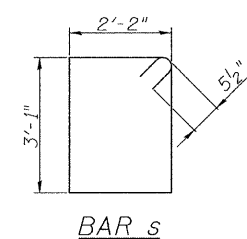
BILL OF MATERIAL
TWO ABUTMENTS

BAR	NO.	SIZE	LENGTH	SHAPE
h	12	#4	27'-3"	—
h1	32	#5	8'-11"	—
h2	16	#5	7'-0"	—
p	16	#7	25'-10"	—
p1	8	#5	25'-10"	—
s	46	#5	11'-5"	□
s1	16	#5	7'-5"	□
u	16	#6	10'-3"	—
v	108	#4	3'-0"	—
v1	24	#4	6'-6"	—
v2	8	#4	4'-6"	—
Concrete Structures			Cu. Yd.	23.1
Reinforcement Bars			Pound	2960
Furnishing Steel Piles HP 10x42			Foot	267
Driving Piles			Foot	267
Test Pile Steel HP 10x42			Each	2
Concrete Encasement			Cu. Yd.	2.8
Structure Excavation			Cu. Yd.	21

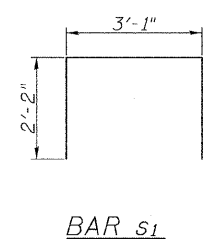
ABUTMENTS
S.N. 087-3571



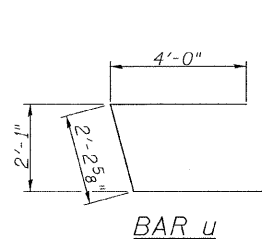
Order v1 bars full length: Layout in field according to diagram. Cut v1 bars along cut line. Use remainder of each bar in opposite face.



BAR s



BAR s1



Allen Henderson & Associates, Inc. Civil and Structural Engineers Springfield, IL. 62703 Phone: (217)544-8033 IL Design Firm No. 184-001907	SHEET NO. 8 10 SHEETS	T.R. RTE. 140 SECTION 09-05118-00-BR STR. NO. 087-3571 FED. ROAD DIST. NO. ILLINOIS FED. AID PROJECT	COUNTY SHELBY CONTRACT NO. 95628	TOTAL SHEETS 21 SHEET NO. 11
---	------------------------------	---	-------------------------------------	---------------------------------