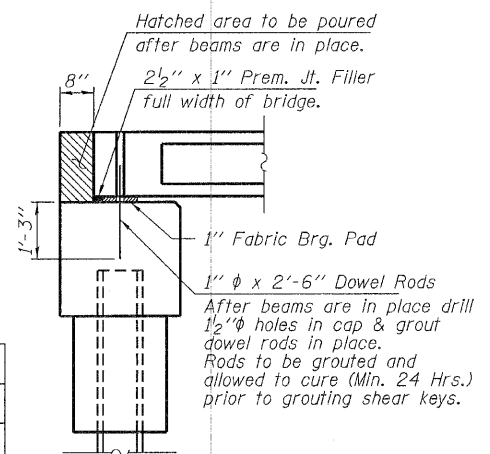
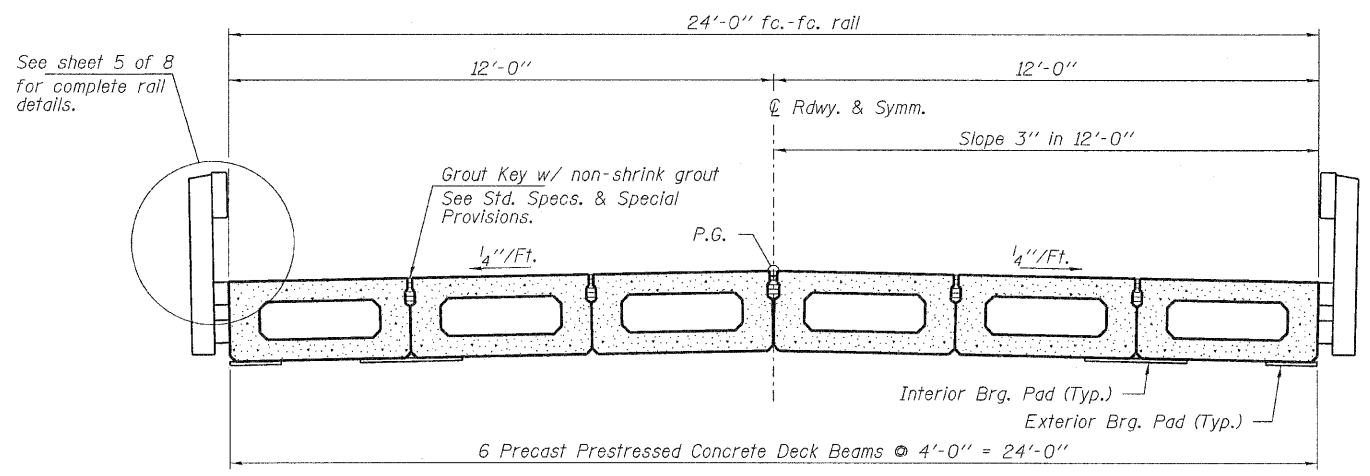


DETAIL A



SECTION AT ABUTMENTS
© Ft. L's

DESIGNED - A.S.L.
CHECKED - S.W.M.
DRAWN - D.A.B.
CHECKED - S.W.M.

SUPERSTRUCTURE DETAILS
STRUCTURE NO. 024-3138

HAMPTON, LENZINI AND RENWICK, INC. <small>CIVIL ENGINEERS • STRUCTURAL ENGINEERS • LAND SURVEYORS</small> HLR 3085 STEVENSON DRIVE, SUITE 201 SPRINGFIELD, ILLINOIS 62703 217.548.3400 www.hirengineering.com <small>194.000999 ILLINOIS PROFESSIONAL DESIGN FIRM LS / PE / SE CORPORATION</small>	SHEET NO. 4	T.R.	SECTION	COUNTY	TOTAL SHEETS	SHEET NO.
	8 SHEETS	185	07-06115-00-BR	EDWARDS	12	8
PROJECT NUMBER: 09.0007.130	DATE: 02/23/10	ROAD DISTRICT #6		CONTRACT NO. 95633		
		FED. ROAD DIST. NO.	ILLINOIS	FED. AID PROJECT		