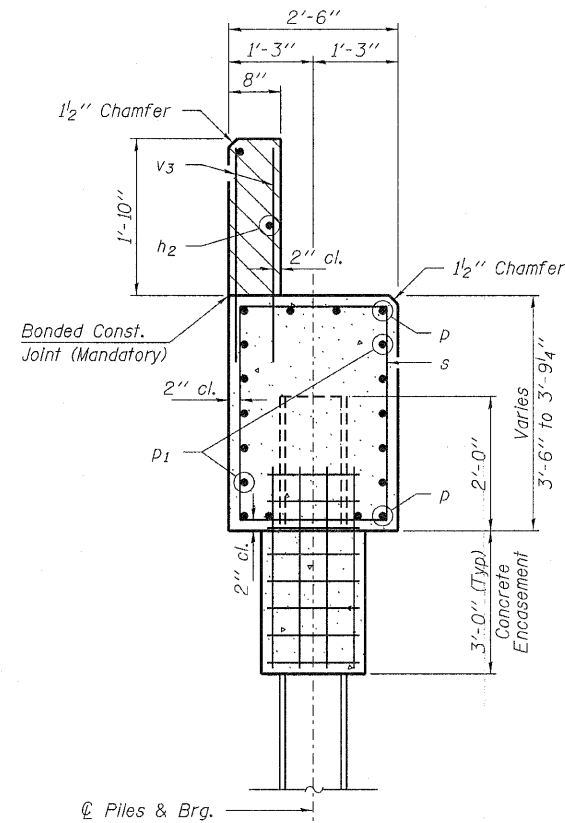
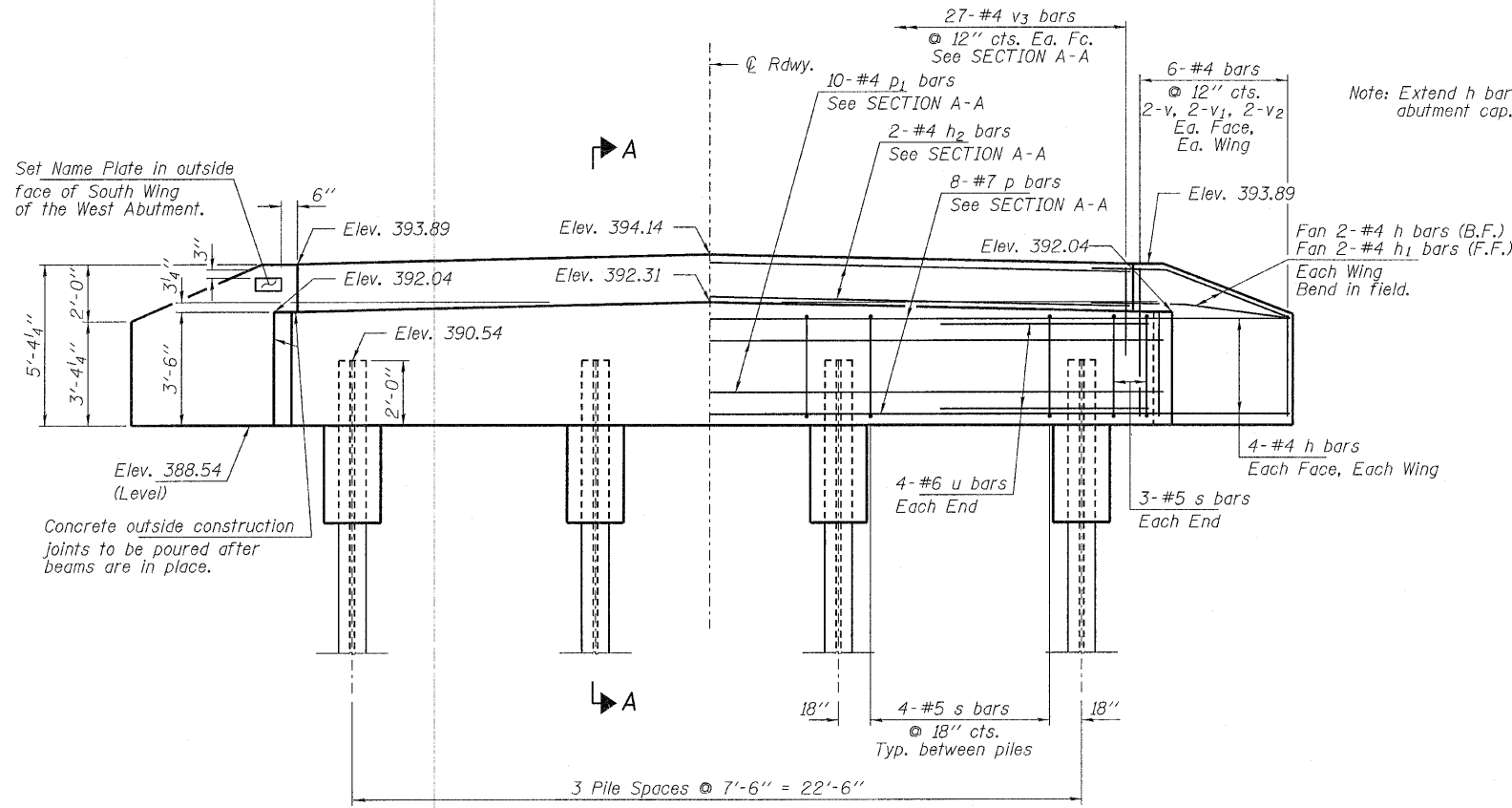


PLAN



SECTION A-A

Hatched area to be poured after beams are in place.



ELEVATION

Note: Extend h bars into abutment cap.

PILE DATA

Type: Steel HP10x42
 No. Req'd. (2 Abuts.): 8
 Factored Resistance Available (Rf): 167 Kips/Pile
 Nominal Required Bearing (Rn): 335 Kips/Pile
 Est. Length: 30 Ft/Pile

Notes: The Steel H-Piles shall be according to AASHTO M270 Grade 50.

BILL OF MATERIAL - 2 ABUTS.

BAR	NO.	SIZE	LENGTH	SHAPE
h	40	#4	6'-3"	—
h ₁	8	#4	4'-9"	—
h ₂	4	#4	26'-10"	—
p	16	#7	26'-10"	—
p ₁	20	#4	26'-10"	—
s	36	#5	11'-7"	□
u	16	#6	12'-3"	—
v	16	#4	5'-0"	—
v ₁	16	#4	4'-1"	—
v ₂	16	#4	3'-1"	—
v ₃	112	#4	2'-8"	—
Concrete Structures			Cu. Yd.	23.8
Concrete Encasement			Cu. Yd.	2.8
Reinforcement Bars			Pound	2,560
Steel Piles HP10x42			Foot	240
Name Plates			Each	1

ABUTMENTS
 STRUCTURE NO. 024-3138

DESIGNED - A.S.L.
CHECKED - S.W.M.
DRAWN - D.A.B.
CHECKED - S.W.M.

HAMPTON, LENZINI AND RENWICK, INC.
 CIVIL ENGINEERS - STRUCTURAL ENGINEERS - LAND SURVEYORS
 3085 STEVENSON DRIVE, SUITE 201
 SPRINGFIELD, ILLINOIS 62703
 217.546.3400 www.hirengineering.com

154.00069
 ILLINOIS PROFESSIONAL DESIGN FIRM LS / PE / SE CORPORATION

PROJECT NUMBER: 09.0007.130 DATE: 02/23/10

SHEET NO. 6	T.R.	SECTION	COUNTY	TOTAL SHEETS	SHEET NO.
	185	07-06115-00-BR	EDWARDS	12	10
8 SHEETS	ROAD DISTRICT #6		CONTRACT NO. 95633		
	FED. ROAD DIST. NO.	ILLINOIS	FED. AID PROJECT		