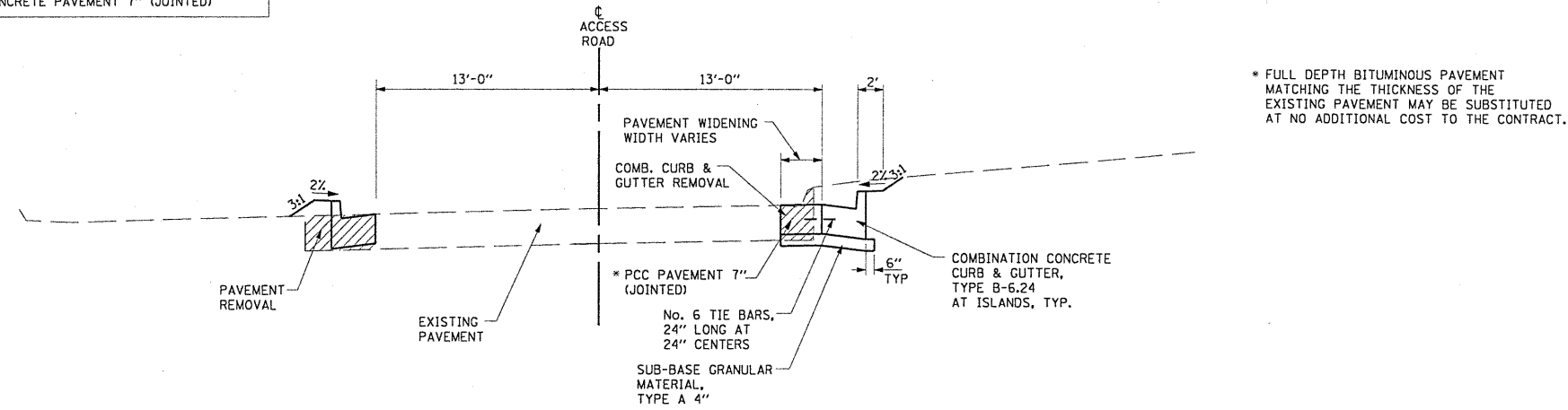
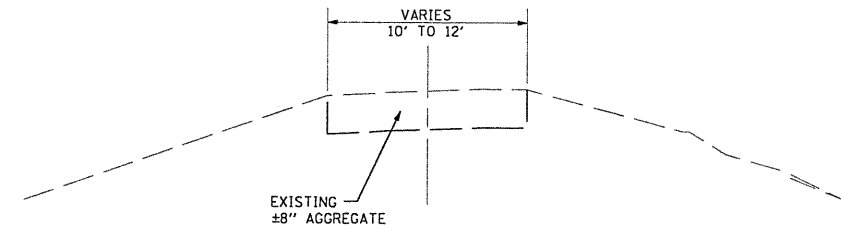


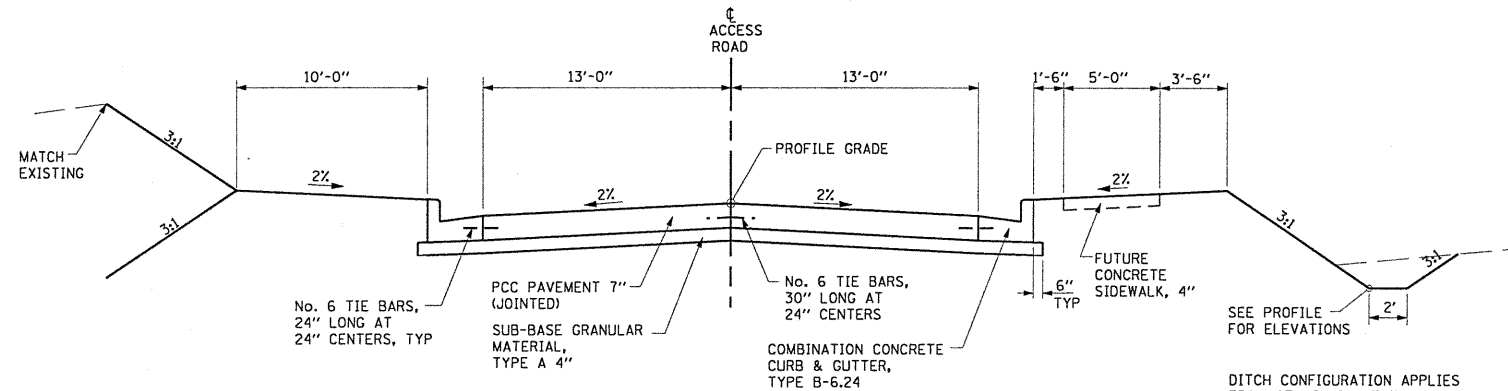
THE COST OF TIE BARS SPECIFIED SHALL BE INCLUDED IN THE UNIT COST PER SQUARE YARD FOR PORTLAND CEMENT CONCRETE PAVEMENT 7" (JOINTED)



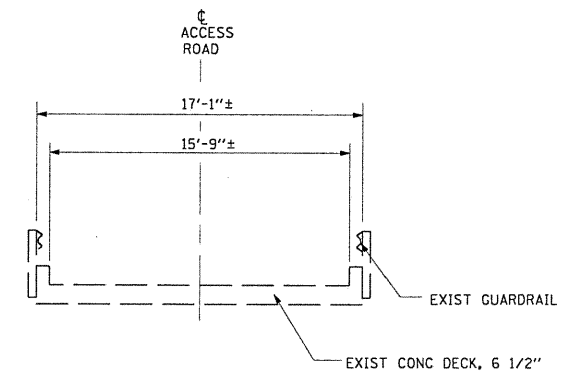
**TYPICAL URBAN ROADWAY SECTION
STA 47+08.77 TO STA 50+20.00**



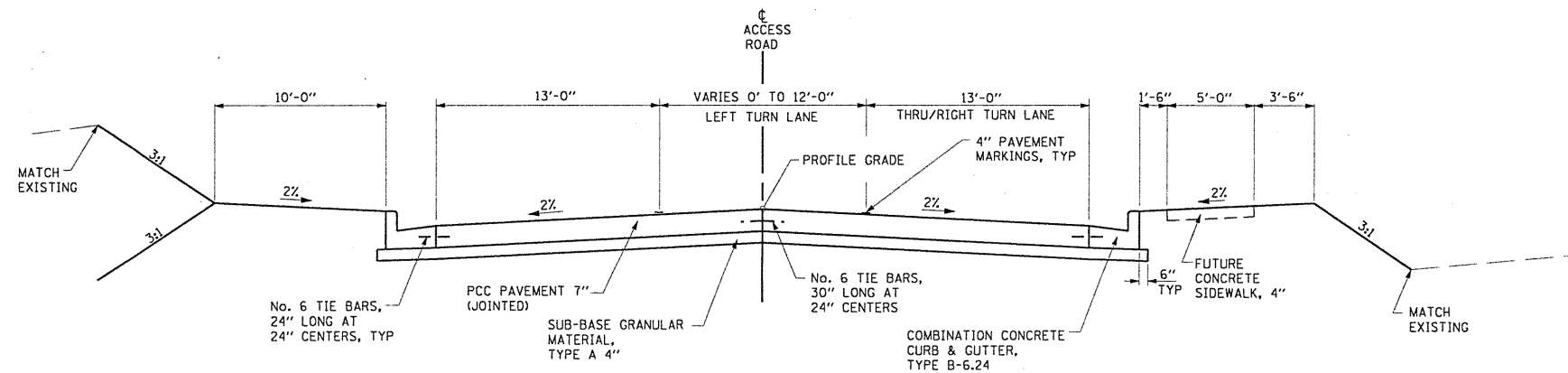
**TYPICAL EXISTING ROADWAY SECTION
STA 58+00.00 TO STA 61+40.00**



**TYPICAL URBAN ROADWAY SECTION
STA 50+20.00 TO STA 58+75.00**



TYPICAL EXISTING BRIDGE SECTION



**TYPICAL URBAN ROADWAY SECTION
STA 58+75.00 TO STA 61+55.00**

FILE NAME =	USER NAME = HURST-ROSCHE	DESIGNED - JJC	REVISED -	STATE OF ILLINOIS DEPARTMENT OF TRANSPORTATION	TYPICAL SECTIONS			F.A. RTE.	SECTION	COUNTY	TOTAL SHEETS	SHEET NO.
U:\365-4848-SIUC_Research_Park_Phase.II\gn\typical.dgn	DRAWN - TWC	REVISED -	05-00002-00-RP					JACKSON	35	4		
PLOT SCALE = 1/8" = 1' IN.	CHECKED - MAR	REVISED -	CONTRACT NO. 99425									
PLOT DATE = 7/13/2010	DATE -	REVISED -	SCALE: NO SCALE		SHEET NO. 1 OF 2 SHEETS	STA.	TO STA.	FED. ROAD DIST. NO. 9 ILLINOIS FED. AID PROJECT				