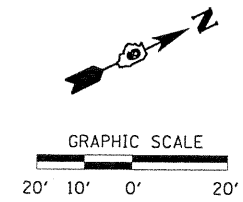
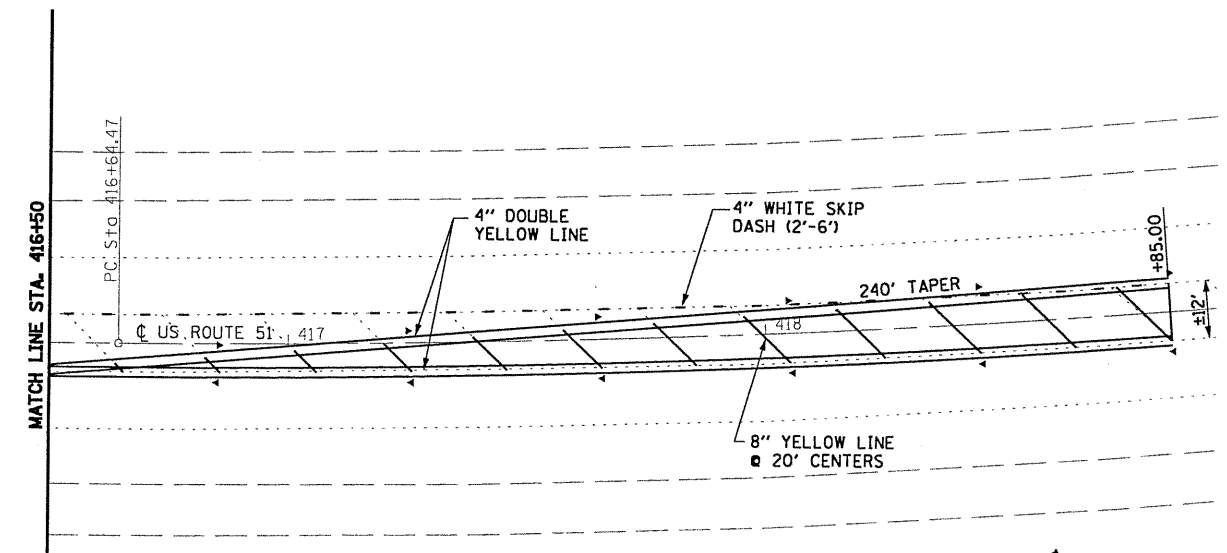
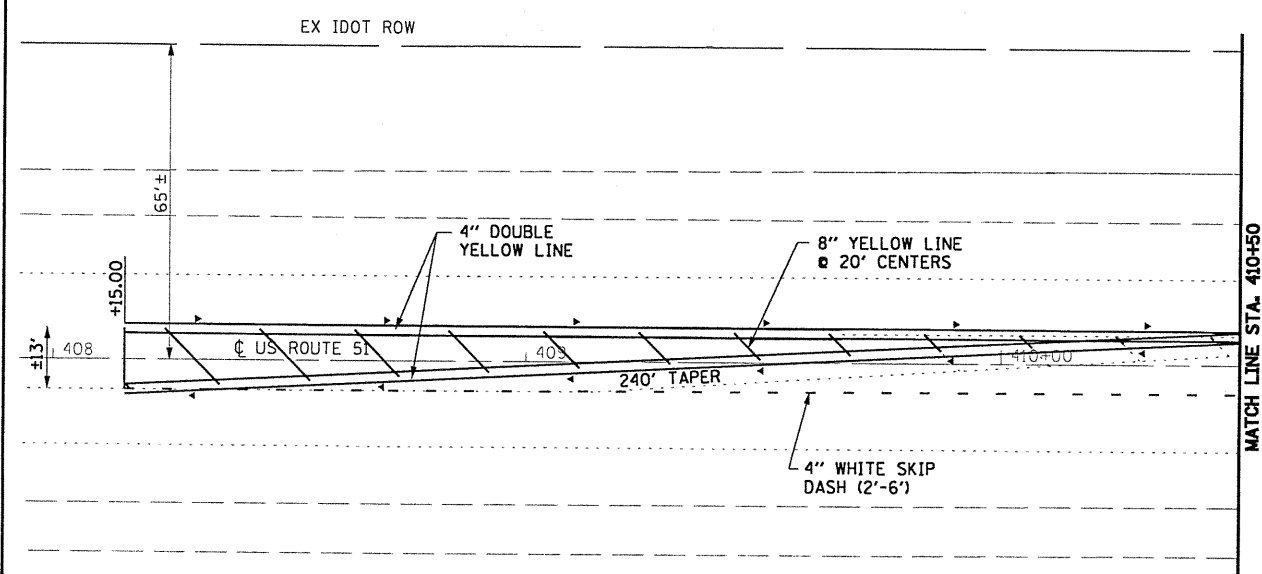
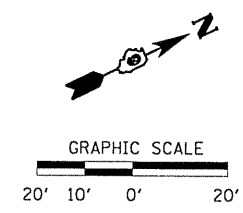
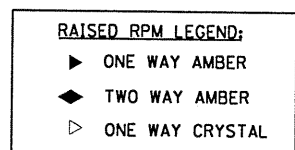


- NOTES:**
- EXISTING CONFLICTING PAVEMENT MARKINGS SHALL BE OBLITERATED WITHIN THE PROJECT LIMITS.
 - PROPOSED PAVEMENT MARKINGS (LINES AND SYMBOLS) SHALL BE PAINT IN ACCORDANCE WITH IDOT STANDARD SPECIFICATION SECTION 780.
 - RAISED REFLECTIVE PAVEMENT MARKERS SHALL BE INSTALLED IN ACCORDANCE WITH HIGHWAY STANDARD 781001.



HR
 HURST-ROSCHÉ ENGINEERS, INC.
 HILLSBORO, ILLINOIS 62049
 (217)532-3959 FAX (217)532-3212

FILE NAME =	USER NAME = HURST-ROSCHÉ	DESIGNED -	REVISED -
\\365-4048.SIUC.Research_Park_Phase.II\gn\p&p04.dgn		DRAWN -	REVISED -
		CHECKED -	REVISED -
		DATE -	REVISED -

**STATE OF ILLINOIS
 DEPARTMENT OF TRANSPORTATION**

PLAN SHEET - US ROUTE 51

SCALE: 1"=20' SHEET NO. 4 OF 4 SHEETS STA. 412+00 TO STA. 418+00

F.A. RTE.	SECTION	COUNTY	TOTAL SHEETS	SHEET NO.
	05-0002-00-RP	JACKSON	35	10
CONTRACT NO. 99425				