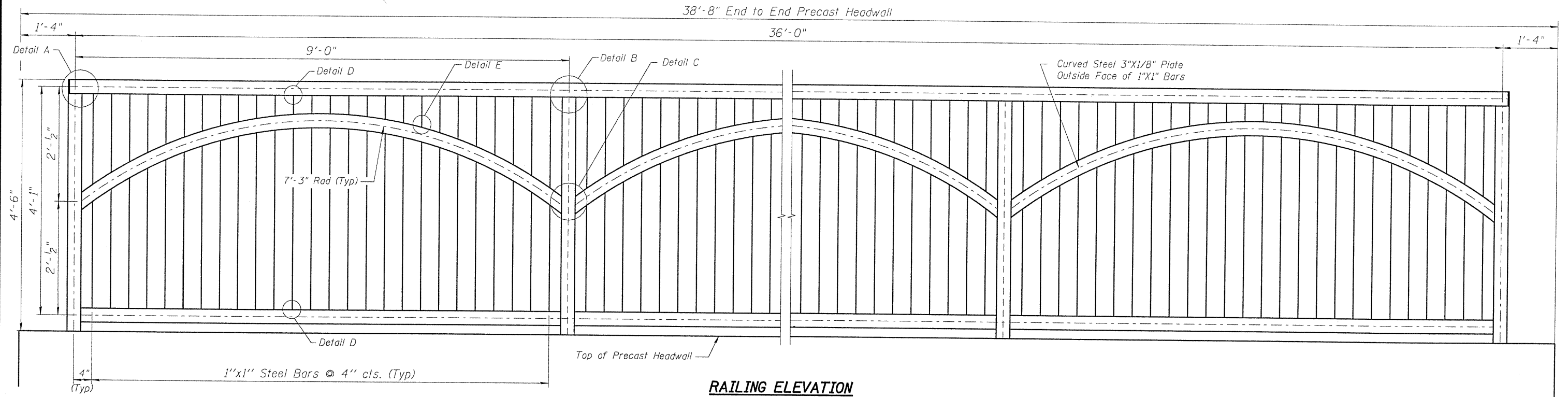
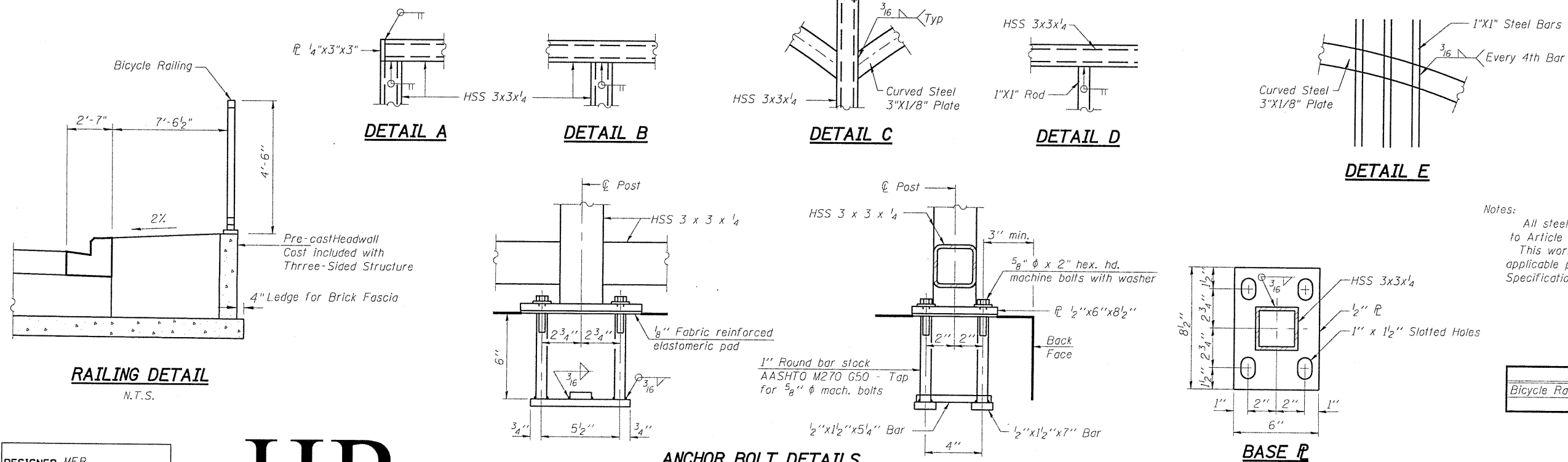


STATE OF ILLINOIS
DEPARTMENT OF TRANSPORTATION



RAILING ELEVATION



Notes:
All steel rail elements shall be galvanized according to Article 509.05 of the Standard Specifications.
This work shall be done in accordance with the applicable portions of section 509 of the Standard Specifications

BILL OF MATERIAL

Item	Unit	Quantity
Bicycle Railing (Special)	Foot	72

**BICYCLE RAILING PLAN
STRUCTURE NO. 039-3268**

SHEET NO. 4 6 SHEETS	S.B.I. RTE.	SECTION	COUNTY	TOTAL SHEETS	SHEET NO.
	2	05-00002-00-RP	JACKSON	35	20
			CONTRACT NO. 99425		
FED. ROAD DIST. NO. 9 ILLINOIS FED. AID PROJECT					

DESIGNED	MEB
CHECKED	JLG
DRAWN	TWC
CHECKED	JSP

HR
HURST-ROSCHÉ
ENGINEERS, INC.
PROFESSIONAL DESIGN NUMBER: 184-000298

ANCHOR BOLT DETAILS

In lieu of the cast-in-place anchor device shown, the Contractor has the option of drilling and setting 5/8" ϕ anchor rods according to Article 509.06 of the Standard Specifications. Embedment shall be according to the manufacturer's specifications.

HRE # 365-4048