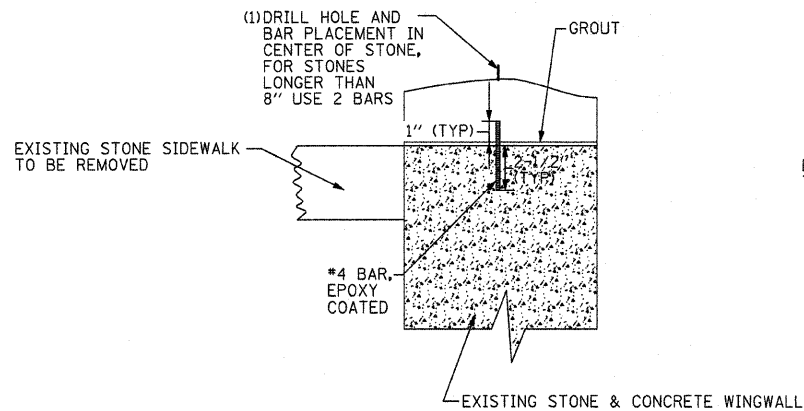


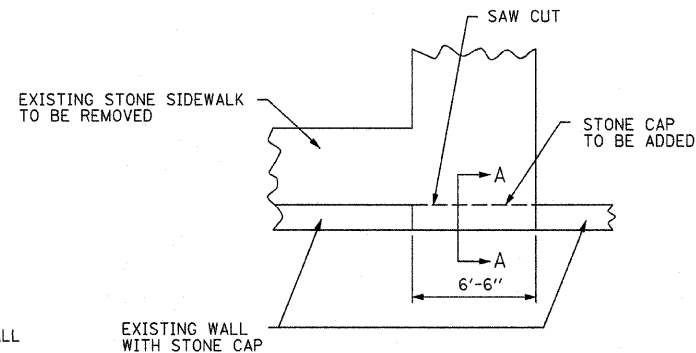
MIXTURES USE(S):	BITUMINOUS SURFACE
AC/PG	PG 64-22
RAP% (MAX)	10%
DESIGN AIR VOIDS	4.0% @ N DESIGN 70
MIX COMP	IL 9.5
FRICTION AGG.	MIX C

PRIME APPLICATION RATES	
BIT MATLS PR CT	AGG PRIME COAT
0.375 GAL/SQ YD	5 LB/SQ YD

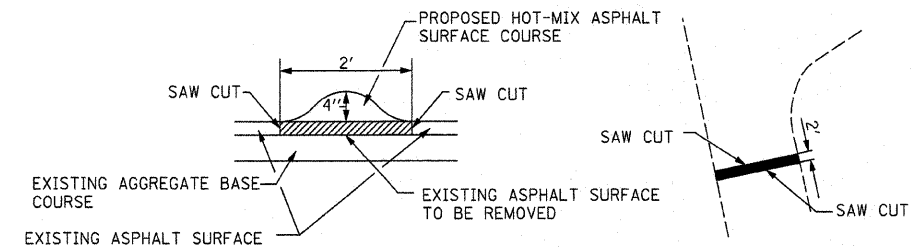
MIXES AND APPLICATION RATE TABLES



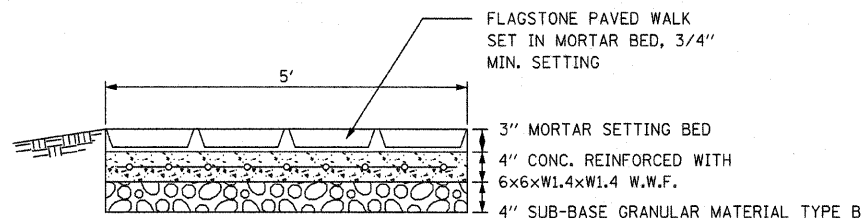
STONE CAP SECTION A-A NOT TO SCALE



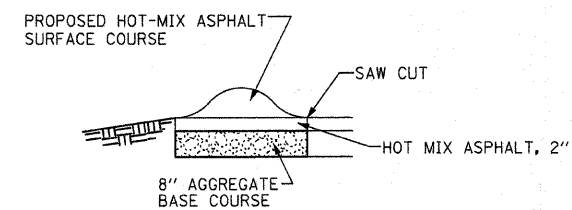
PLAN VIEW OF STONE WALL NOT TO SCALE



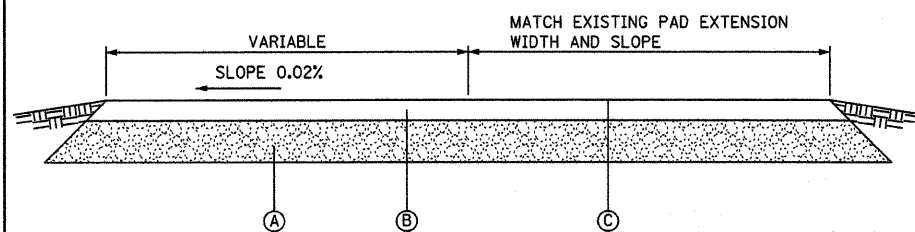
SPEED BUMP DETAIL NOT TO SCALE



PORTLAND CEMENT CONCRETE SIDEWALK SPECIAL

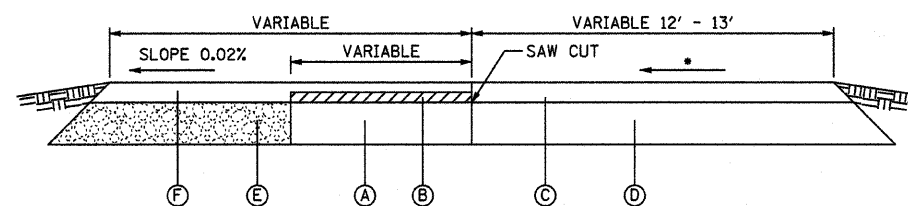


CAMPGROUND ROAD



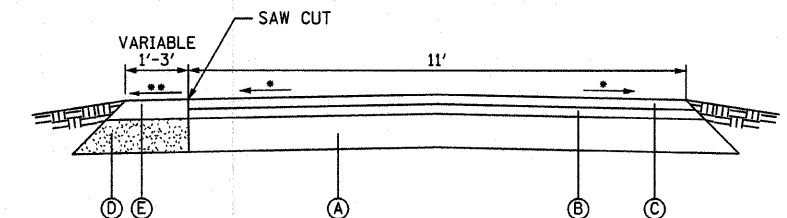
- A PROPOSED 8" AGGREGATE BASE COURSE TYPE B
- B PROPOSED HOT-MIX ASPHALT SURFACE COURSE, MIX C, N 70, 2"
- C MATCH EXISTING CAMPER PAD WIDTH & SLOPE

EXTENSIONS OF CAMPER PADS AND PICNIC AREA



- SLOPE VARIES
- A EXISTING AGGREGATE PICNIC AREA
- B EXISTING AGGREGATE PICNIC AREA TO BE REMOVED
- C EXISTING HOT-MIX ASPHALT SURFACE COURSE
- D EXISTING AGGREGATE BASE COURSE
- E PROPOSED 8" AGGREGATE BASE COURSE TYPE B
- F PROPOSED HOT-MIX ASPHALT SURFACE COURSE, MIX C, N70, 2"

WIDENING OF PICNIC AREAS AT EXISTING CAMPER PAD AREA



- SLOPE VARIES
- SLOPE TO MATCH EXISTING ROAD
- A EXISTING AGGREGATE BASE COURSE
- B EXISTING HOT-MIX ASPHALT BINDER COURSE 1/2"
- C EXISTING HOT-MIX ASPHALT SURFACE COURSE 1/2"
- D PROPOSED 8" AGGREGATE BASE COURSE TYPE B
- E PROPOSED HOT-MIX ASPHALT SURFACE COURSE, MIX C, N 70, 3"

FILE NAME =	USER NAME = #USER#	DESIGNED - R.H.D.	REVISED - 8/24/09
#FILEL#		DRAWN - J.H.F.	REVISED -
	PLOT SCALE = #SCALE#	CHECKED - T.T.P.	REVISED -
	PLOT DATE = #DATE#	DATE - 8/1/08	REVISED -

STATE OF ILLINOIS
DEPARTMENT OF TRANSPORTATION

TYPICAL SECTIONS
PIERRE MENARD/FORT KASKASKIA STATE HISTORIC SITES

SCALE: 1"=20' SHEET NO. 4 OF 17 SHEETS STA. TO STA.

F.A. RTE.	SECTION	COUNTY	TOTAL SHEETS	SHEET NO.
		RANDOLPH	16	4
CONTRACT NO. 46003			FED. ROAD DIST. NO. ILLINOIS FED. AID PROJECT	