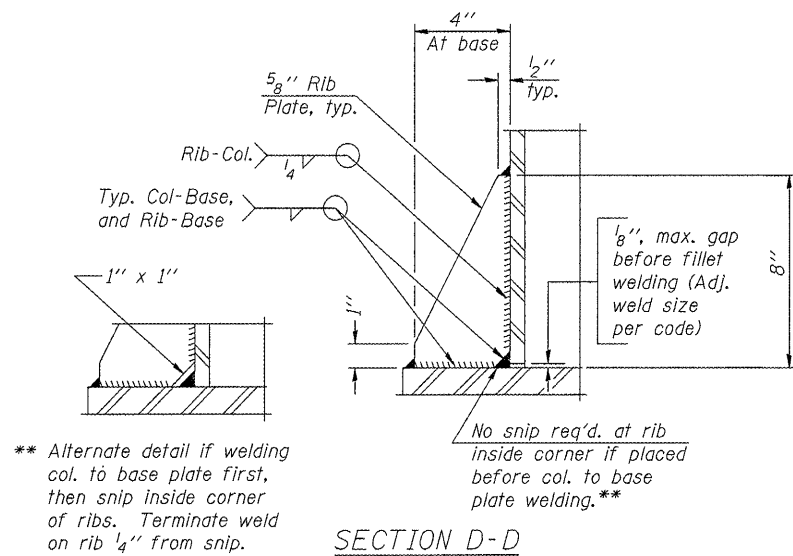
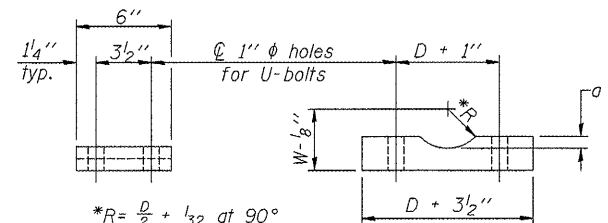


SECTION B-B



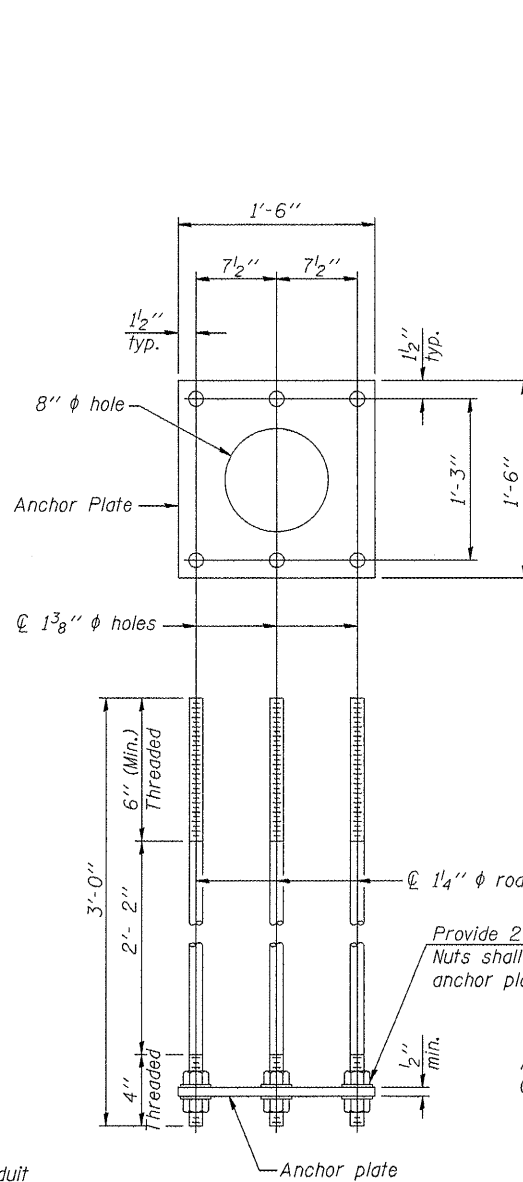
SECTION D-D



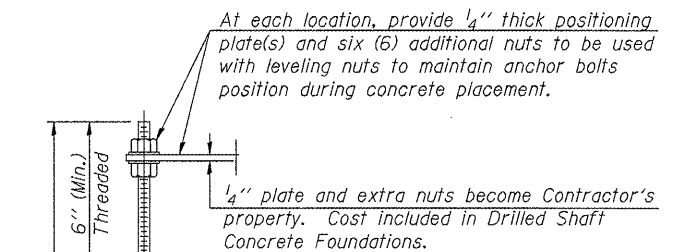
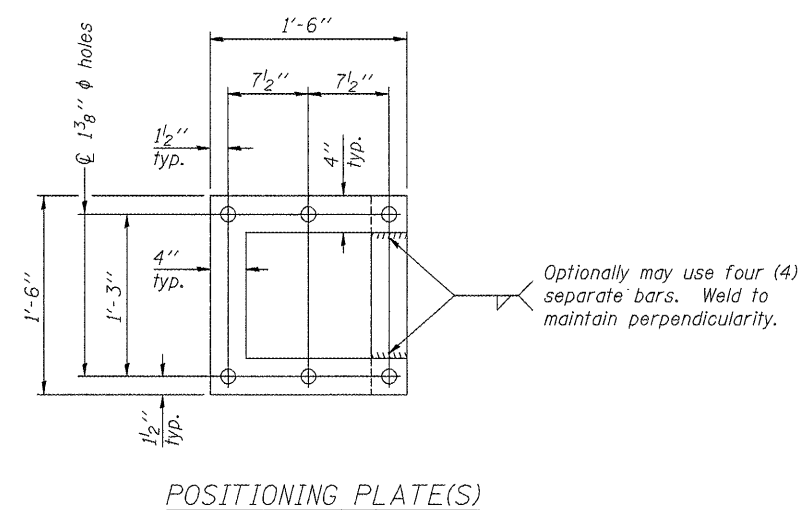
SADDLE SHIM DETAIL

ASTM B26 Alloy 356-F  
or  
ASTM B209 Alloy 6061-T651  
(4 required per sign truss)

Truss Chord Nominal Dia.	a
5"	3 3/4"
5 1/2"	13 1/16"
6"	7 7/8"
6 1/2"	15 1/16"
7"	1"



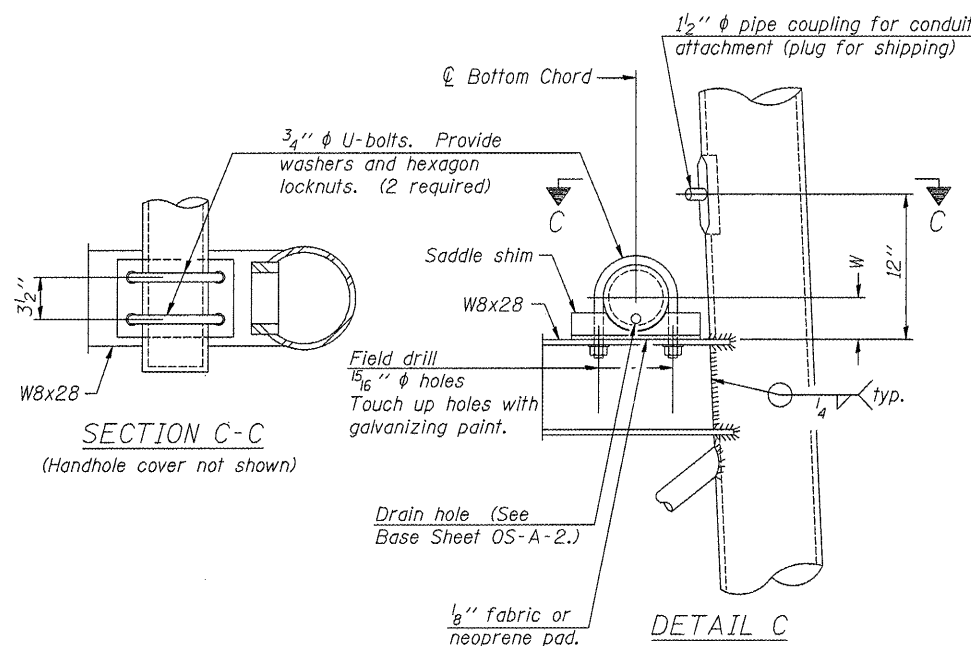
ANCHOR ROD DETAIL  
Spread Footing Foundation



ANCHOR ROD DETAIL  
Drilled Shaft Foundation

Anchor rods shall conform to AASHTO M314 Grade 36 or 50 and meet Charpy V-Notch (CVN) energy of 15 lb.-ft. at 40° F. Galvanize upper 12" per AASHTO M232. No welding shall be permitted on rods.

10"  $\phi$  PIPE SUPPORT FRAME DETAILS



DETAIL C

NUMBER	REVISION	DATE

DESIGNED -	20
CHECKED -	EXAMINED
DRAWN -	PASSED
CHECKED -	ENGINEER OF BRIDGES AND STRUCTURES

OVERHEAD SIGN STRUCTURES  
SUPPORT FRAME DETAILS ALUMINUM TRUSS

District 5  
Overhead Sign  
Structure Replacement