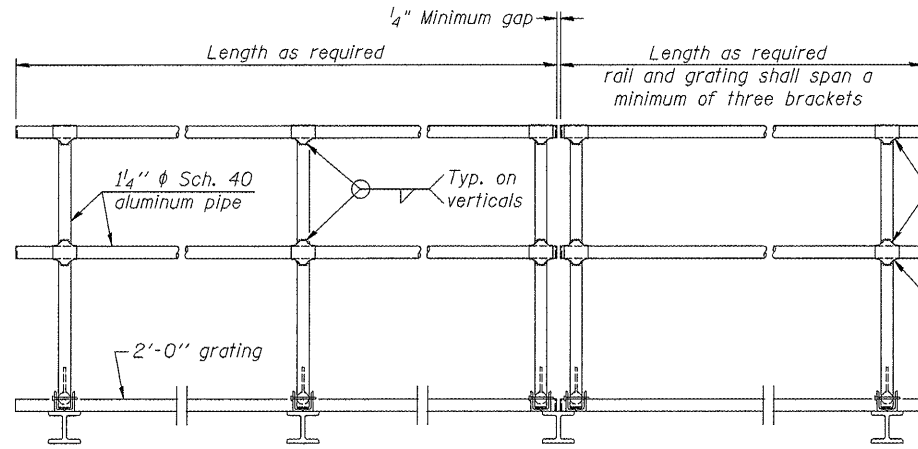


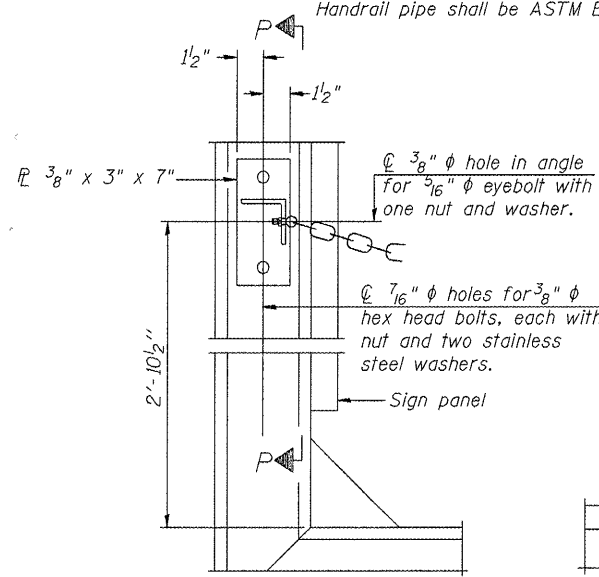
SIDE ELEVATION
(Showing safety chain w/o sign)



FRONT ELEVATION

HANDRAIL DETAILS

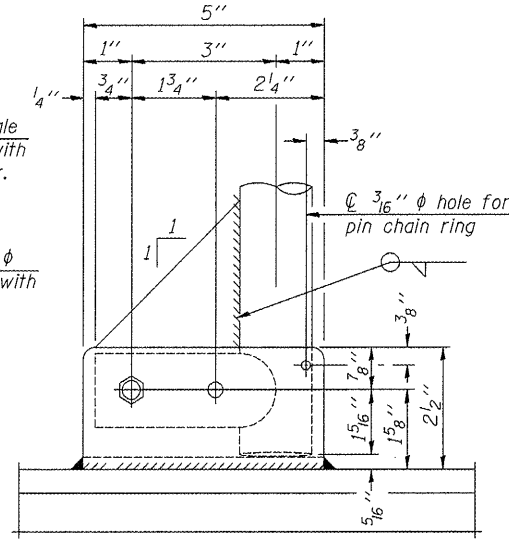
Handrail pipe shall be ASTM B241 or B429, Alloy 6063-T6 or Alloy 6061-T6.



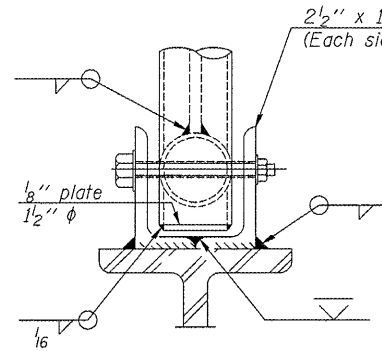
ALTERNATE SAFETY CHAIN ATTACHMENT

(With Sign Present)

Items not shown same as "Side Elevation" of "Handrail Details"



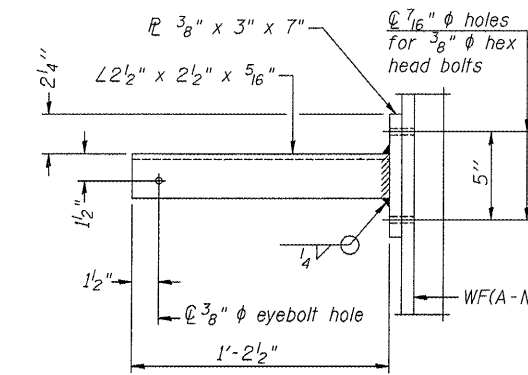
SIDE ELEVATION



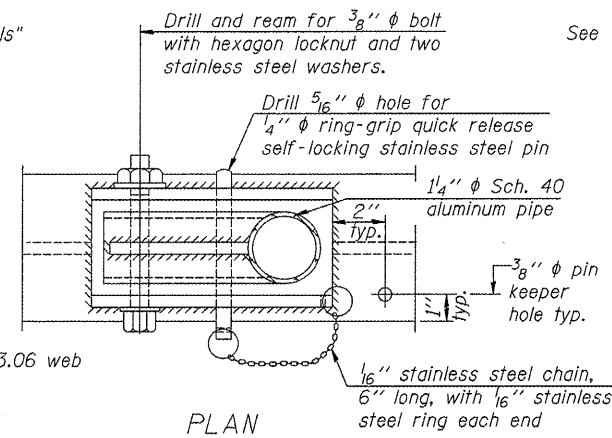
FRONT ELEVATION

See "Elevation" at right for dimensions.

ELEVATION AT HANDRAIL JOINT ④

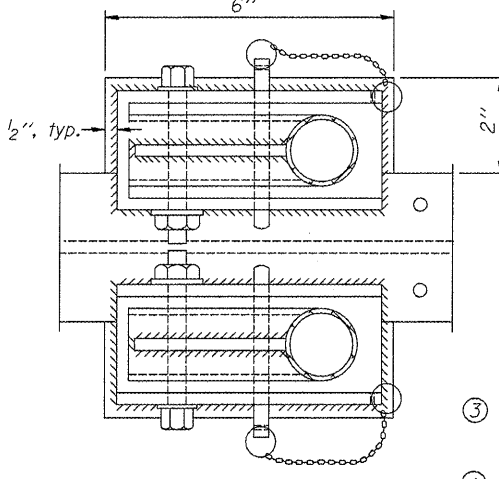


SECTION P-P



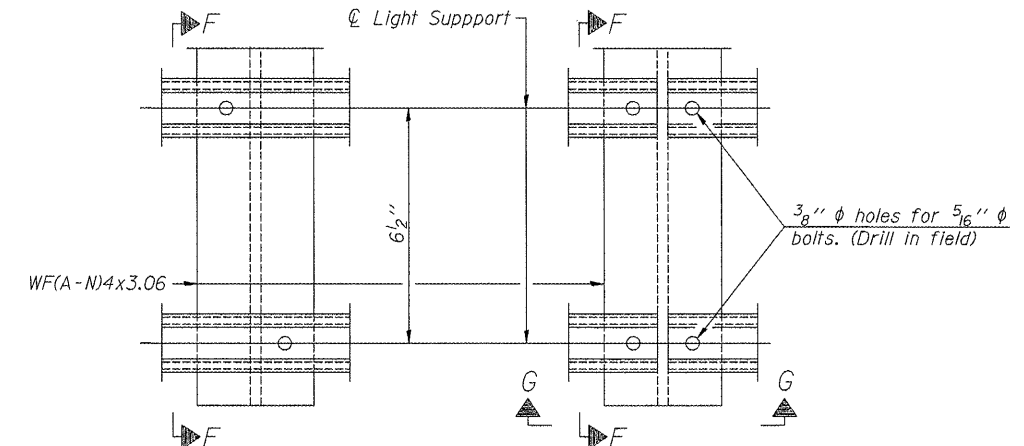
PLAN

DETAIL E HANDRAIL HINGE



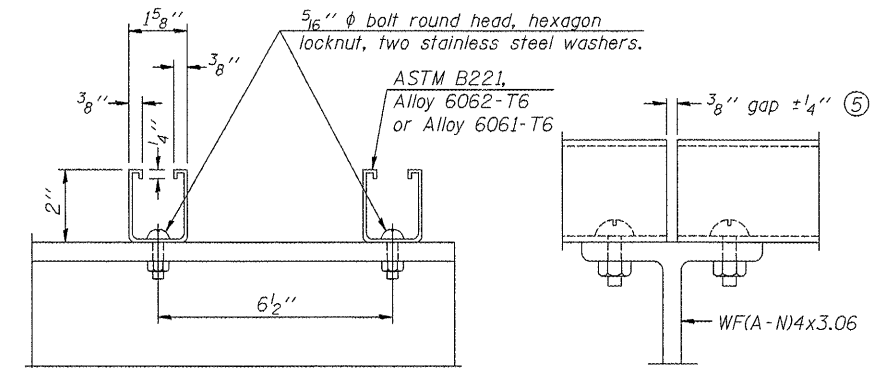
PLAN AT HANDRAIL JOINT

Details not shown same as "PLAN"



DETAIL F

DETAIL G

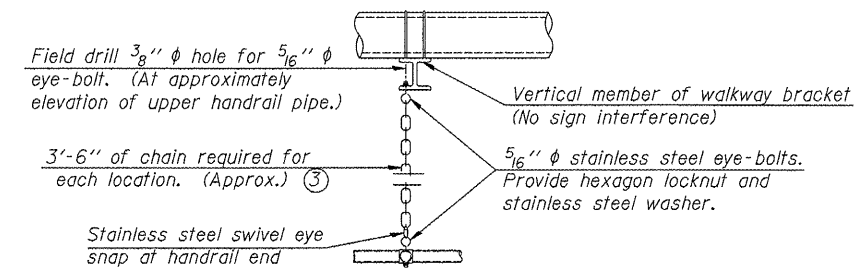


SECTION F-F

SECTION G-G

LIGHTING FIXTURE MOUNTS (IF REQUIRED)

⑤ Field cut ends of light support channels shall be free of burrs or hazardous projections and coated with zinc-rich primer or equivalent.



SAFETY CHAIN

One required for each end of each walkway.

This Sheet For Information Only

OVERHEAD SIGN STRUCTURES
ALUMINUM HANDRAIL DETAILS

District 5
Overhead Sign
Structure Replacement

| | |
|------------|------------------------------------|
| DESIGNED - | 20 |
| CHECKED - | EXAMINED |
| DRAWN - | PASSED |
| CHECKED - | ENGINEER OF BRIDGES AND STRUCTURES |

| NUMBER | REVISION | DATE |
|--------|----------|------|
| | | |
| | | |
| | | |

③ 3/16" Type 304L stainless steel chain, approximately 12 links per foot.

④ Extrusions may be used in lieu of the details shown, with approval of the Engineer.