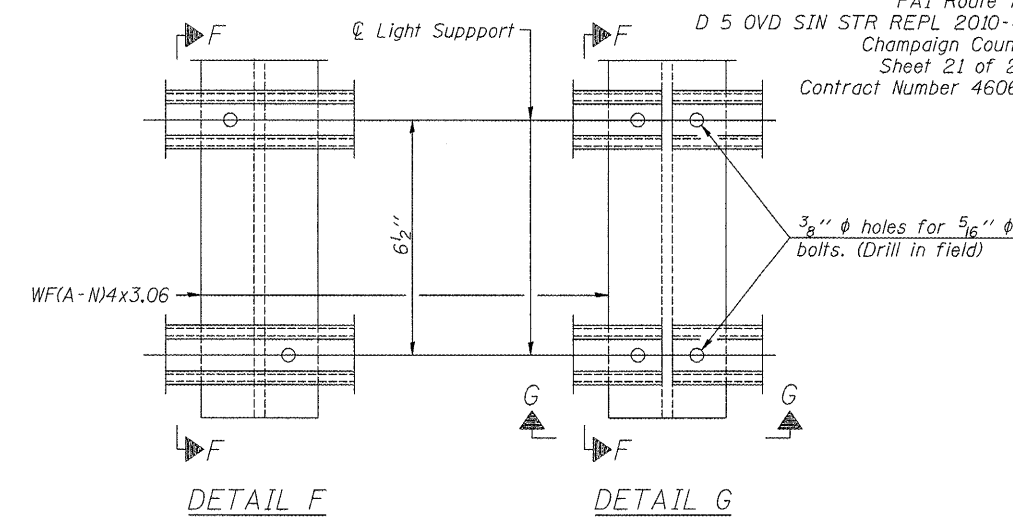
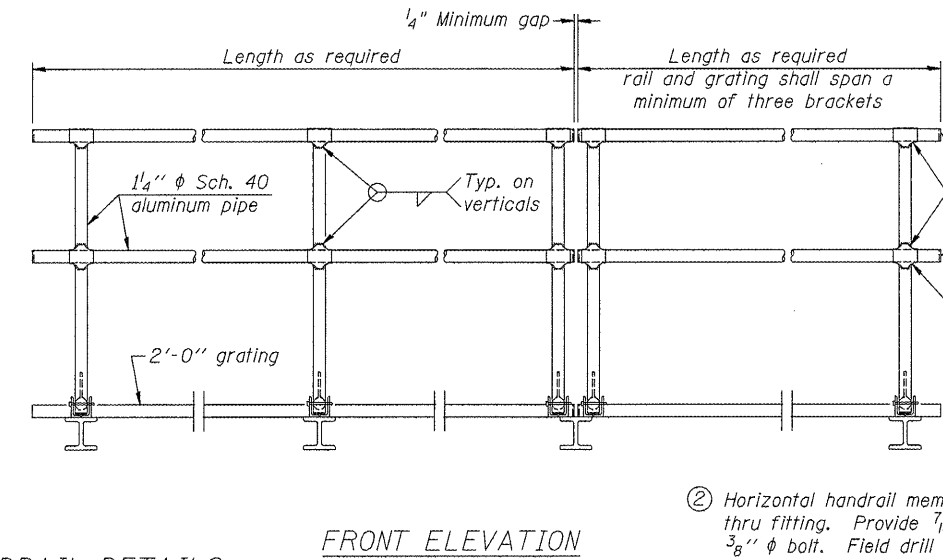
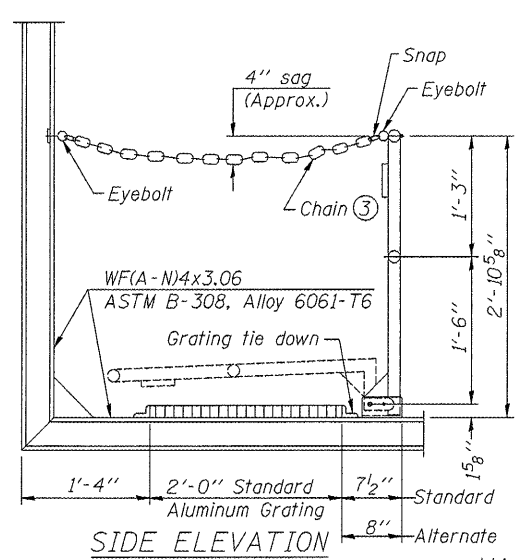


STATE OF ILLINOIS
DEPARTMENT OF TRANSPORTATION

FAI Route 72
D 5 OVD SIN STR REPL 2010-01
Champaign County
Sheet 21 of 23
Contract Number 46062

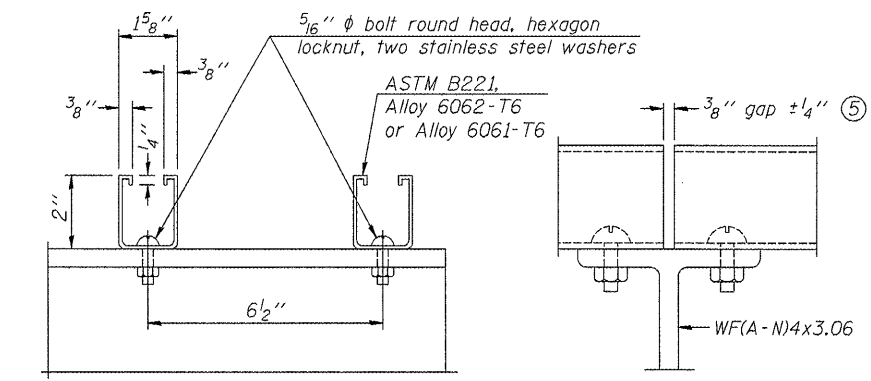


SIDE ELEVATION
(Showing Safety Chain W/O Sign)

HANDRAIL DETAILS

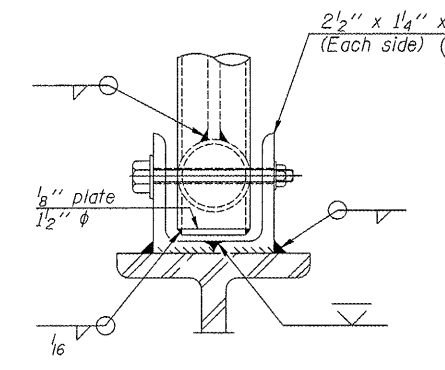
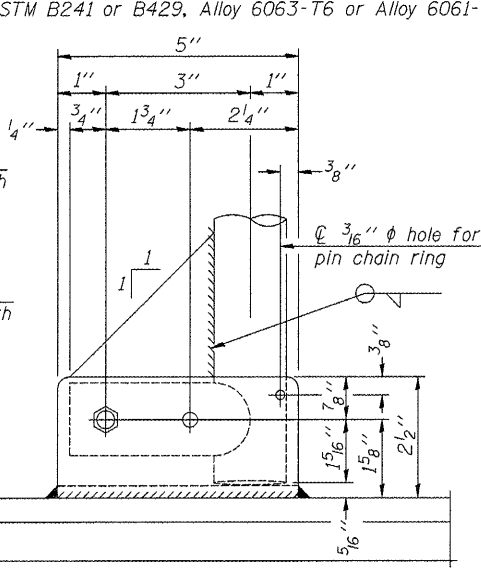
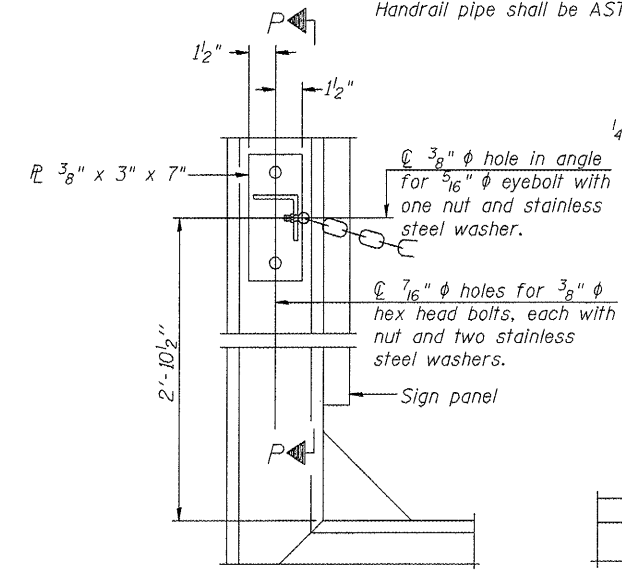
FRONT ELEVATION

- ① Install standard force-fit end caps or weld 1/8" end plates with 1/8" c.f.w. and grind smooth. (All rail ends)
- ② Horizontal handrail member shall be continuous thru fitting. Provide 1/16" hole in fitting for 3/8" bolt. Field drill 1/16" hole in horizontal rail member. Provide locknut and two stainless steel washers for bolt. (Use 5/16" eyebolts in 7/16" holes on top rail at ends only.)



SECTION F-F
SECTION G-G
LIGHTING FIXTURE MOUNTS (IF REQUIRED)

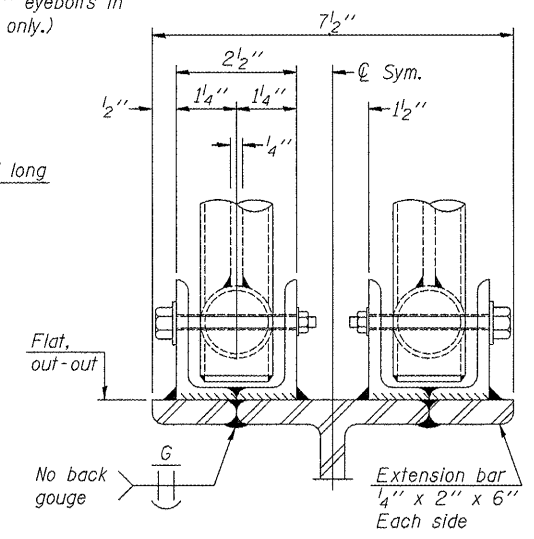
- ⑤ Field cut ends of light support channels shall be free of burrs or hazardous projections and coated with zinc-rich primer or equivalent.



ALTERNATE SAFETY CHAIN ATTACHMENT

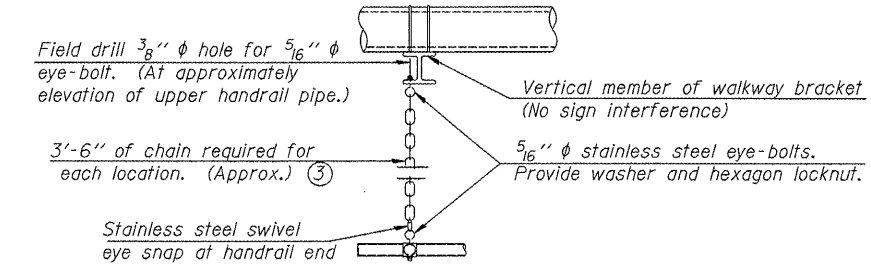
SIDE ELEVATION

Details not shown same as "ELEVATION" at right.



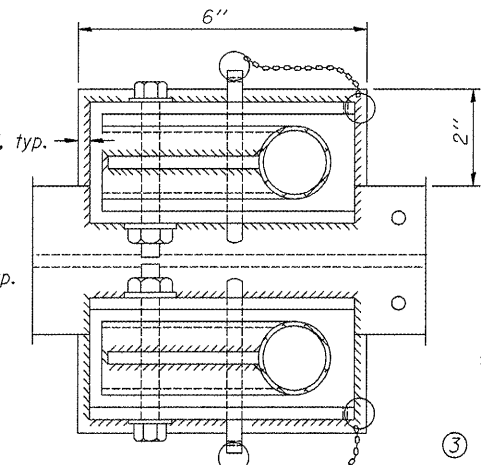
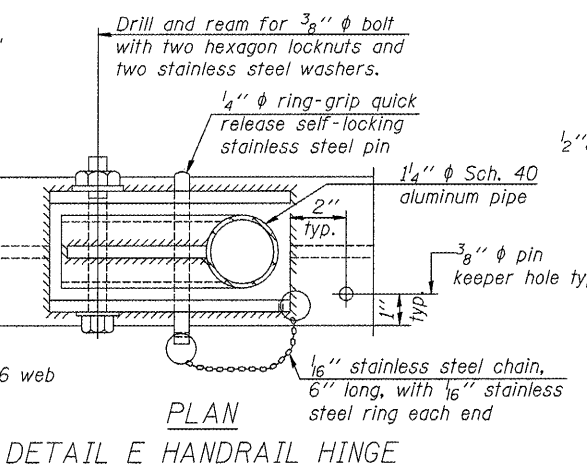
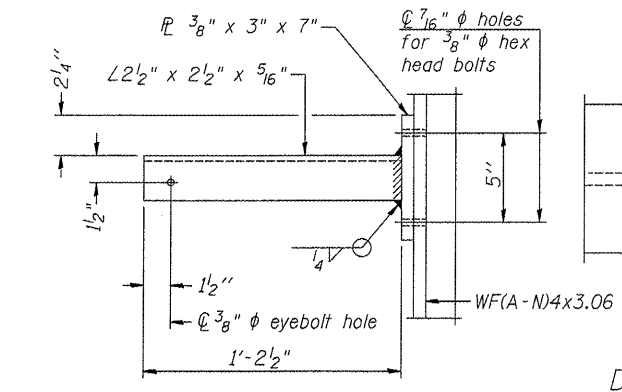
ELEVATION AT HANDRAIL JOINT

Details not shown same as "FRONT ELEVATION"



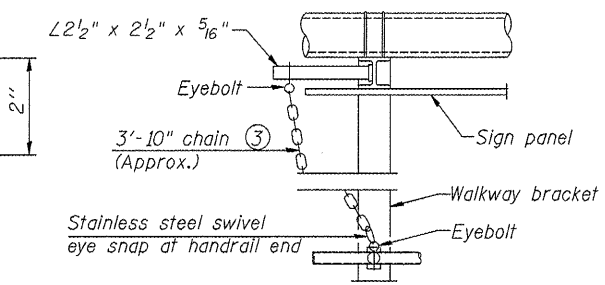
SAFETY CHAIN

One required for each end of each walkway.



PLAN AT HANDRAIL JOINT

Details not shown same as "PLAN"



ALTERNATE SAFETY CHAIN ATTACHMENT

Details not shown similar to "Safety Chain" Details (Walkway omitted for clarity)

- ③ 3/16" Type 304L stainless steel chain, approximately 12 links per foot.

- ④ Extrusions may be used in lieu of the details shown, with approval of the Engineer.

This Sheet For Information Only

CANTILEVER SIGN STRUCTURES
HANDRAIL DETAILS
ALUMINUM TRUSS & STEEL POST

District 5
Overhead Sign
Structure Replacement

DESIGNED -	20
CHECKED -	EXAMINED
DRAWN -	PASSED
CHECKED -	ENGINEER OF BRIDGES AND STRUCTURES

NUMBER	REVISION	DATE