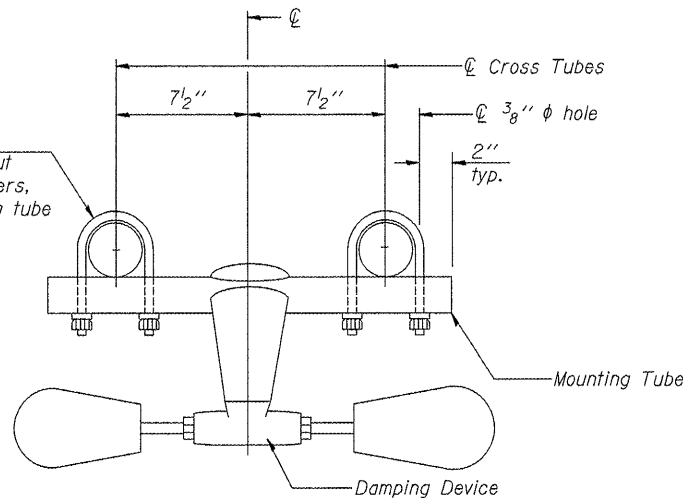
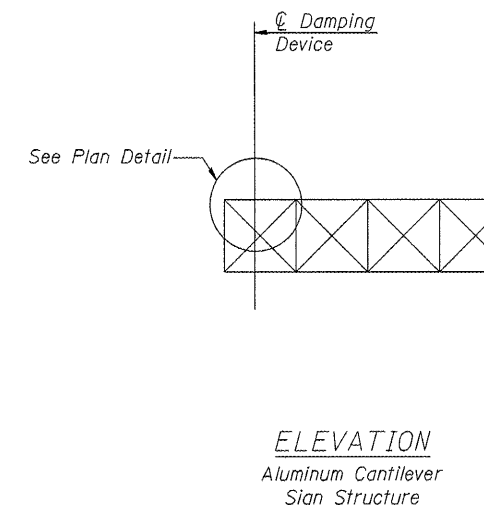


PLAN DETAIL

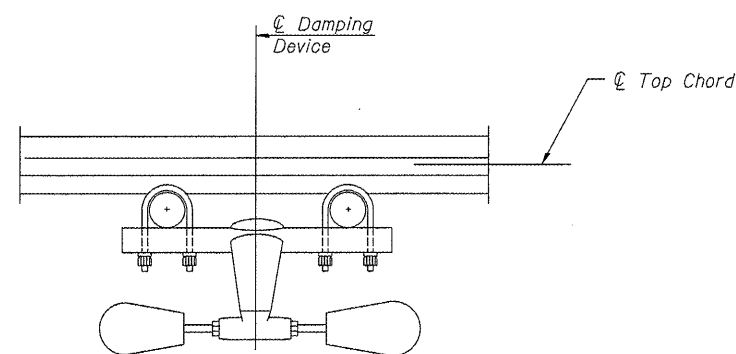


TRUSS DAMPING
DEVICE CONNECTION DETAIL

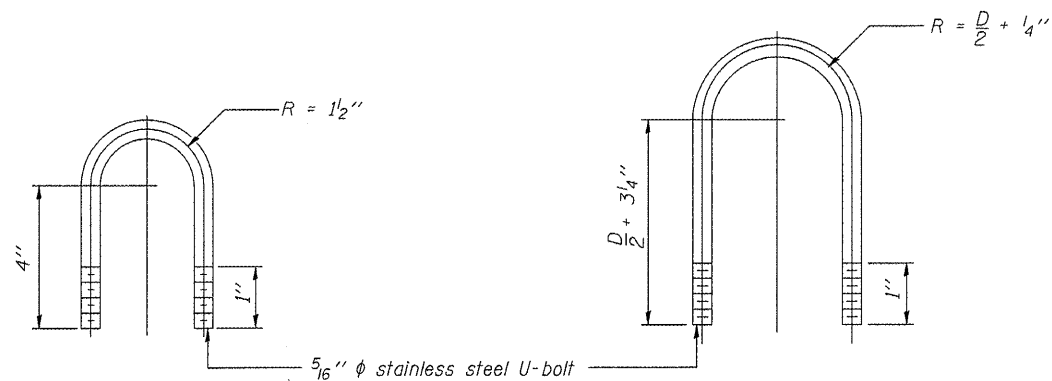


ELEVATION
Aluminum Cantilever
Sign Structure

- GENERAL NOTES**
- Damper: One damper per truss. (31 lbs. Stockbridge-Type Aluminum)
 - Materials: Aluminum tubes shall be ASTM B221 alloy 6061 temper T6



SECTION A-A



DAMPING DEVICE MOUNTING
TUBE U-BOLT DETAIL
(Typical)

TOP CHORD TO CROSS TUBE
U-BOLT DETAIL
(Typical)

CANTILEVER SIGN STRUCTURE
DAMPING DEVICE

District 5
Overhead Sign
Structure Replacement

DESIGNED -	20
CHECKED -	EXAMINED
DRAWN -	PASSED
CHECKED -	ENGINEER OF BRIDGES AND STRUCTURES