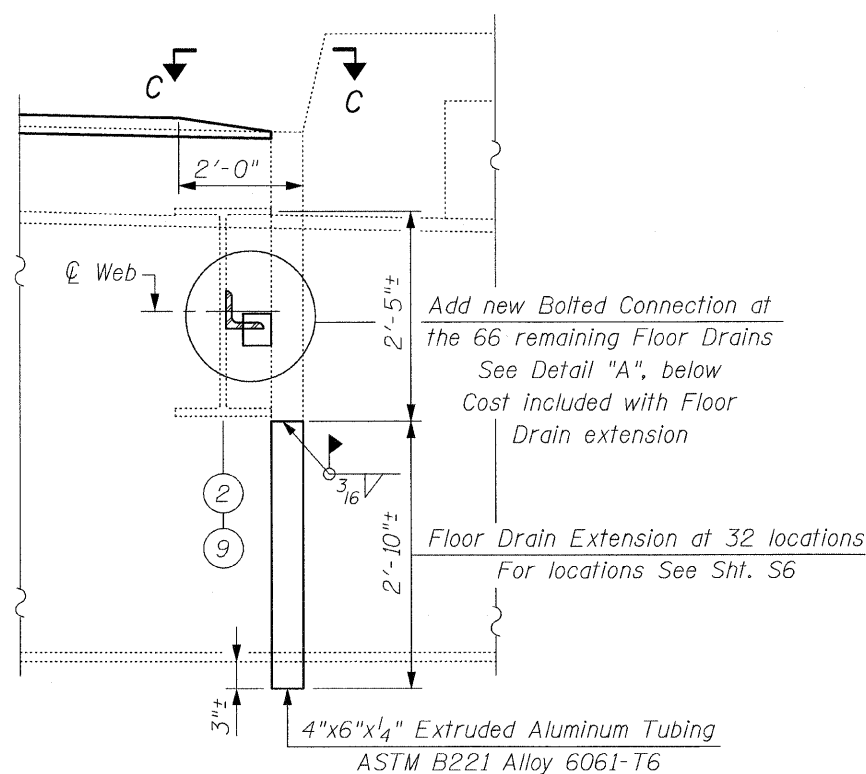
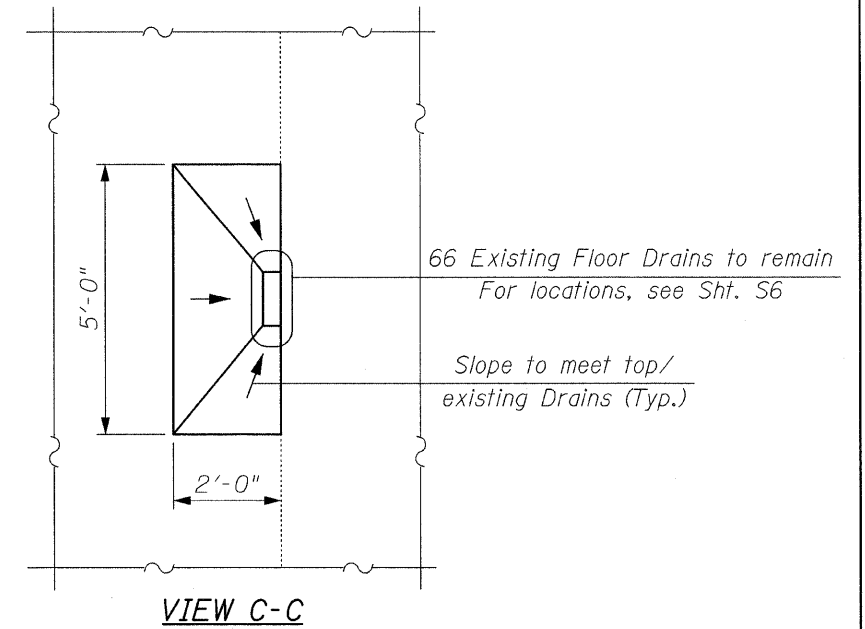


**EXISTING**  
**SECTION AT DRAIN**



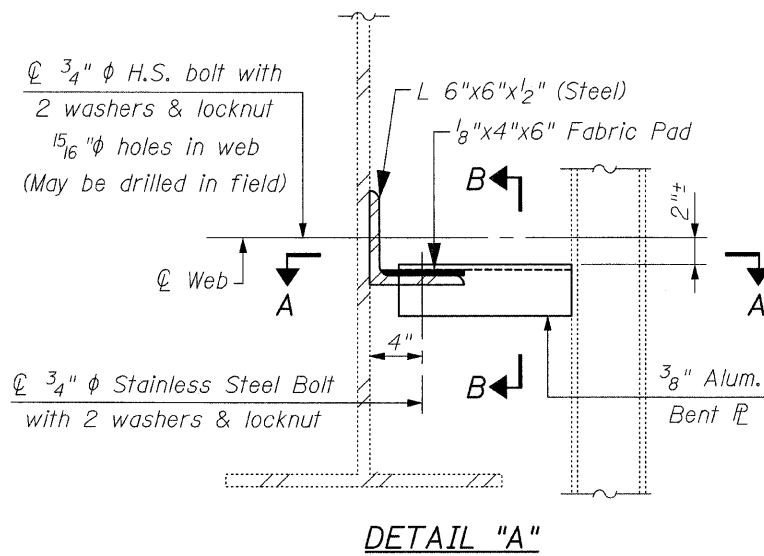
**PROPOSED**  
**SECTION AT DRAIN**



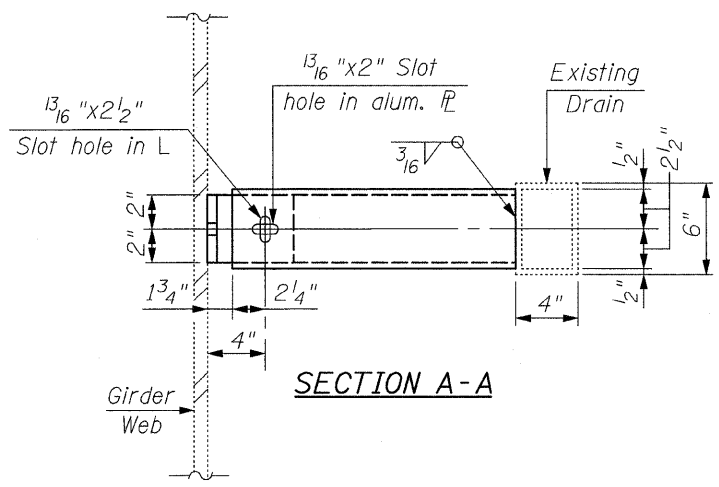
**NOTE:**  
All work shown on this sheet is included with Floor Drain Extension

**BILL OF MATERIAL**

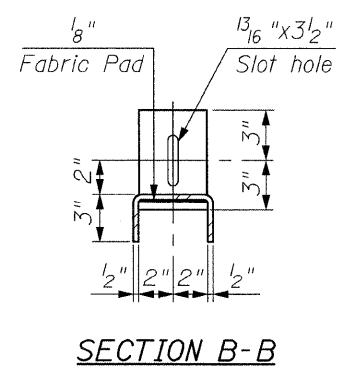
Item	Unit	Total
Floor Drain Extension	Each	66



**DETAIL "A"**



**SECTION A-A**



**SECTION B-B**