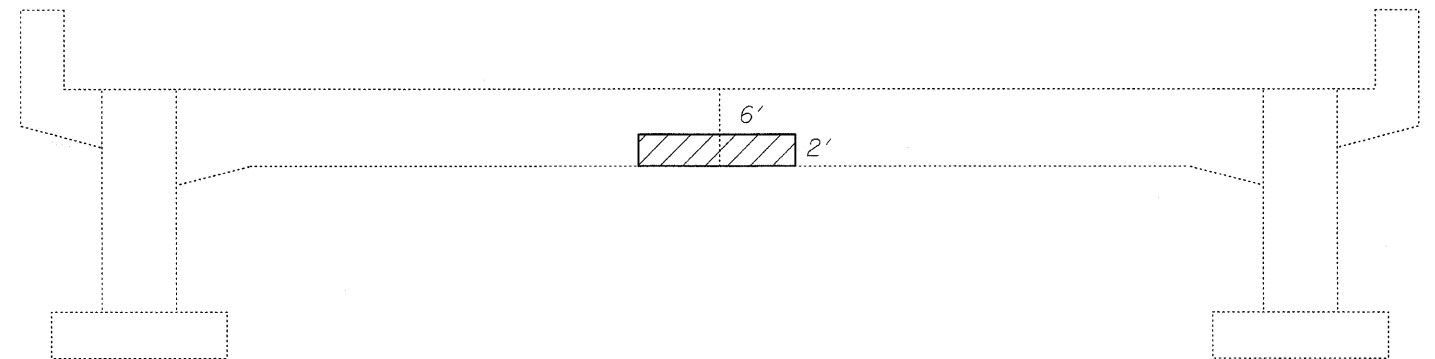


SOUTH ELEVATION



NORTH ELEVATION

BILL OF MATERIAL

ITEM	UNIT	QUANTITY
Structural Repair of Concrete (Depth Equal to or Less Than 5 In.)	Sq. Ft.	12.0

**NOTE:**  
 The Locations of Structural Repair of Concrete as shown on these Elevations, are from the most recent Survey that was performed in November, 2007

LEGEND:



Structural Repair of Concrete  
(Depth Equal to or Less Than 5 In.)

FILE NAME = pier repairs-1.dgn  
 PLOT DATE = 7/8/2009

**CHRISTIAN-ROGE & ASSOCIATES, INC.**  
 ENGINEERS-PLANNERS-SURVEYORS  
 211 WEST WACKER DRIVE  
 CHICAGO, ILLINOIS 60606  
 PHONE: (312)372-2023 FAX: (312)372-5274

DESIGNED - B.N.S./J.C.N.	REVISED -
DRAWN - D.L./R.E.S./F.M.	REVISED -
CHECKED - B.N.S./J.C.N.	REVISED -
DATE - JULY 8, 2009	REVISED -

**STATE OF ILLINOIS**  
**DEPARTMENT OF TRANSPORTATION**

**PIER 1 REPAIRS**  
**KEDZIE AVENUE OVER CAL-SAG CHANNEL S.N. 016-0762**  
 SCALE: SHEET NO. S24 OF S29 SHEETS STA. TO STA.

F.A.U. RTE. 2831	SECTION 1313. 1-1-2	COUNTY COOK	TOTAL SHEETS 41	SHEET NO. 33
FED. ROAD DIST. NO. 1 ILLINOIS FED. AID PROJECT			CONTRACT NO. 60D75	