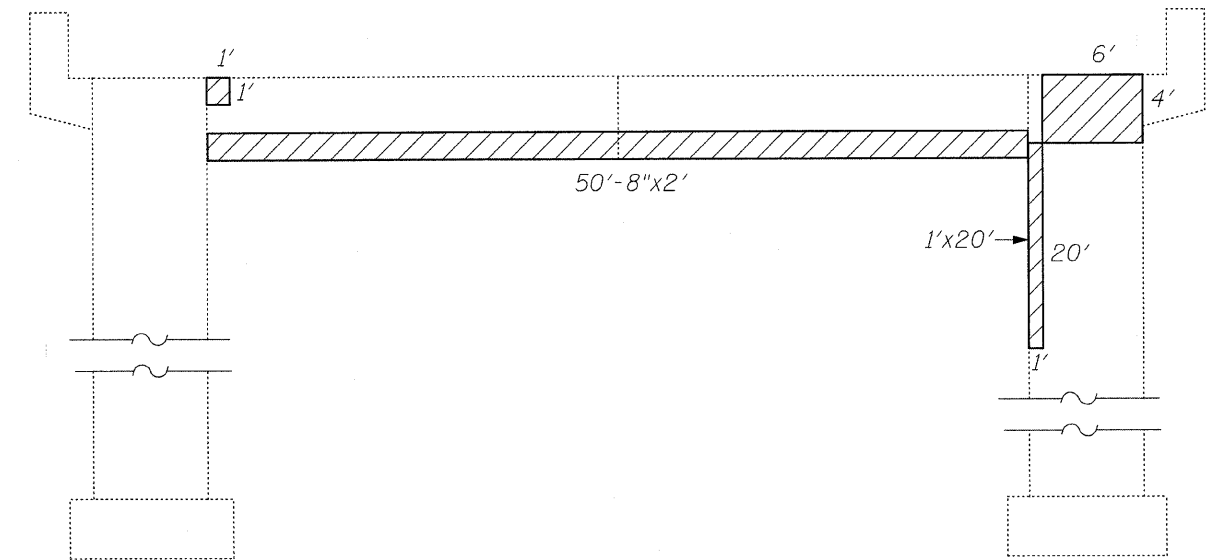


SOUTH ELEVATION




NORTH ELEVATION

NOTE:
 The Locations of Structural Repair of Concrete as shown on these Elevations, are from the most recent Survey that was performed in November, 2007

BILL OF MATERIAL

ITEM	UNIT	QUANTITY
Structural Repair of Concrete (Depth Equal to or Less Than 5 In.)	Sq. Ft.	443.0

LEGEND:

 Structural Repair of Concrete (Depth Equal to or Less Than 5 In.)

FILE NAME = pier_repairs-2.dgn
 PLOT DATE = 7/8/2009

CHRISTIAN-ROGE & ASSOCIATES, INC.
 ENGINEERS-PLANNERS-SURVEYORS
 211 WEST WACKER DRIVE
 CHICAGO, ILLINOIS 60606
 PHONE: (312)372-2023 FAX: (312)372-5274

DESIGNED - B.N.S./J.C.N.	REVISED -
DRAWN - D.L./R.E.S./F.M.	REVISED -
CHECKED - B.N.S./J.C.N.	REVISED -
DATE - JULY 8, 2009	REVISED -

STATE OF ILLINOIS
DEPARTMENT OF TRANSPORTATION

PIER 2 REPAIRS
KEDZIE AVENUE OVER CAL-SAG CHANNEL S.N. 016-0762

SCALE: SHEET NO. S25 OF S29 SHEETS STA. TO STA.

F.A.U. RTE.	SECTION	COUNTY	TOTAL SHEETS	SHEET NO.
2831	1313. 1-I-2	COOK	41	34
FED. ROAD DIST. NO. 1 ILLINOIS FED. AID PROJECT			CONTRACT NO. 60D75	