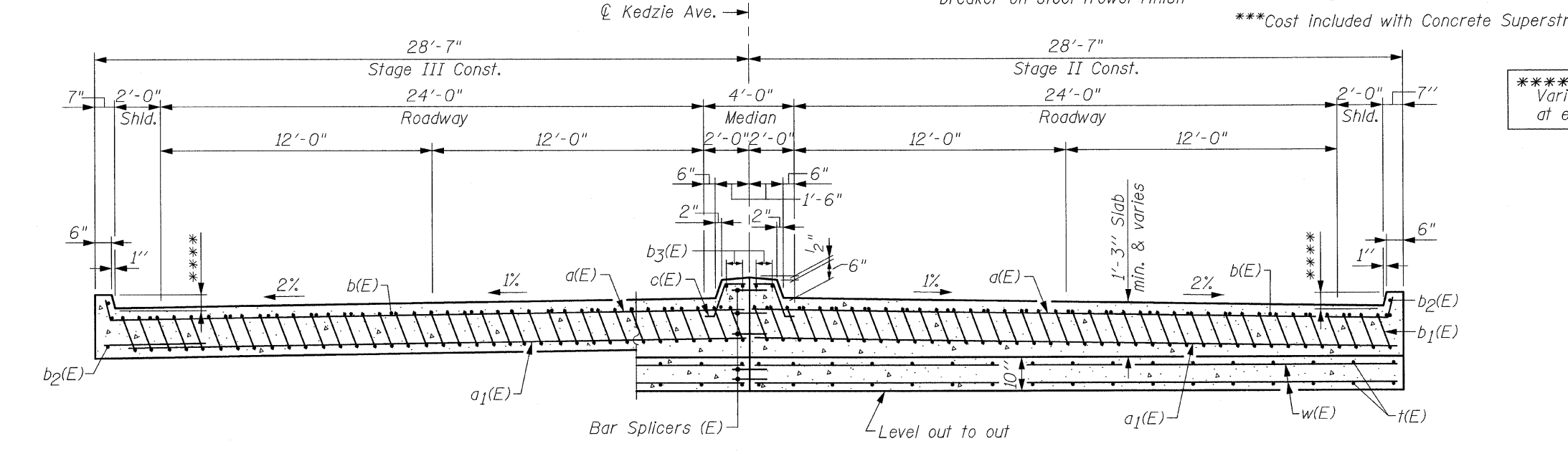
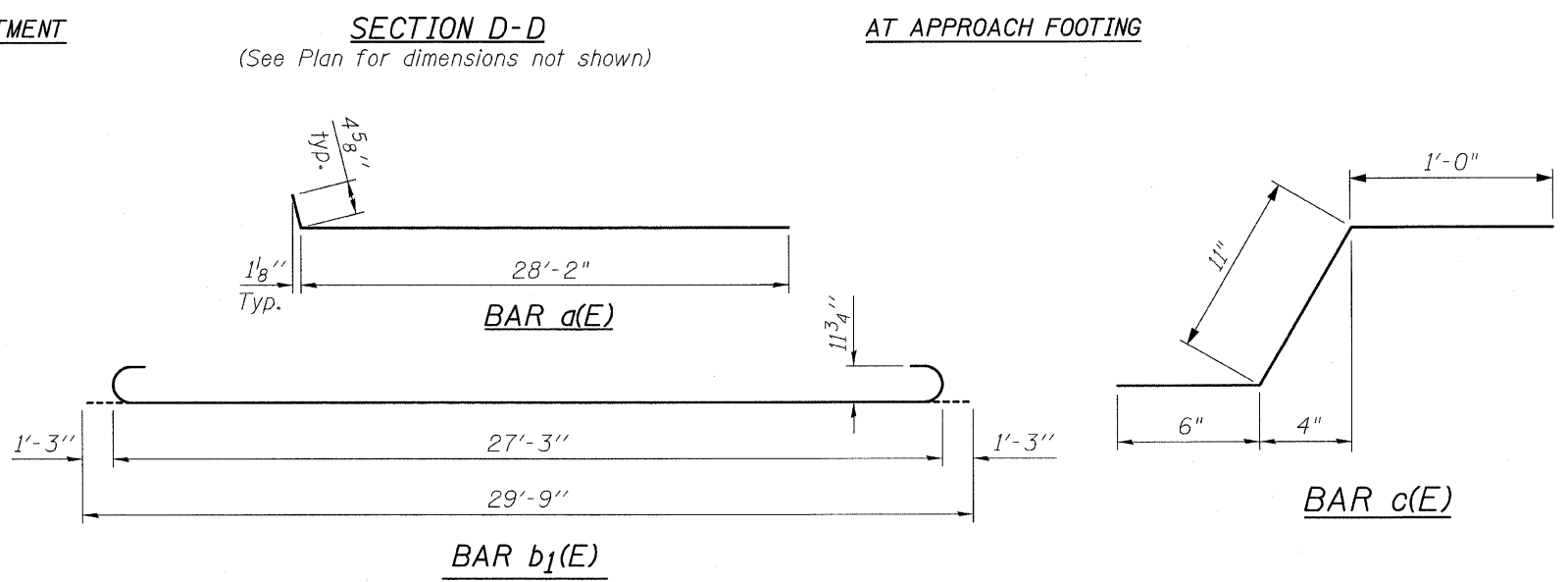


Notes:  
 See Sht. S28 for Detail A and View B-B.  
 Approach slab concrete shall be paid for as Concrete Superstructure.  
 Approach footing concrete shall be paid for as Concrete Structures.  
 Reinforcement shall be paid for as Reinforcement Bars, Epoxy Coated.  
 The approach footing maximum applied service bearing pressure (Qmax) = 2.0 ksf.  
 For bar splicer details, see Sht. S27.  
 Cost of excavation for approach footing included with Concrete Structures.  
 For Porous Granular Embankment, Special see Sht's. S22 & S23.



**BILL OF MATERIAL  
(TWO APPROACHES)**

Bar	No.	Size	Length	Shape
a(E)	100	#4	28'-7"	┌───┐
a1(E)	184	#5	28'-3"	┌───┐
b(E)	92	#4	29'-8"	┌───┐
b1(E)	272	#9	29'-9"	┌───┐
b2(E)	8	#4	29'-8"	┌───┐
c(E)	124	#5	2'-5"	┌──┐
t(E)	232	#4	9'-8"	┌───┐
w(E)	160	#5	28'-3"	┌───┐
Bar Splicers		Each	266	
Concrete Superstructure		Cu. Yd.	91.4	
Concrete Structures		Cu. Yd.	17.7	
Reinforcement Bars, Epoxy Coated		Pound	43,350	



BA-0 10-31-08

(Sheet 2 of 2)  
**BRIDGE APPROACH SLAB DETAILS**  
**STRUCTURE NO. 016-0762**