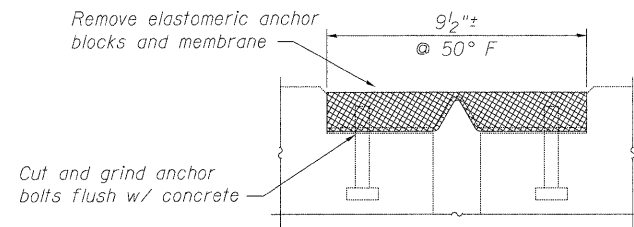
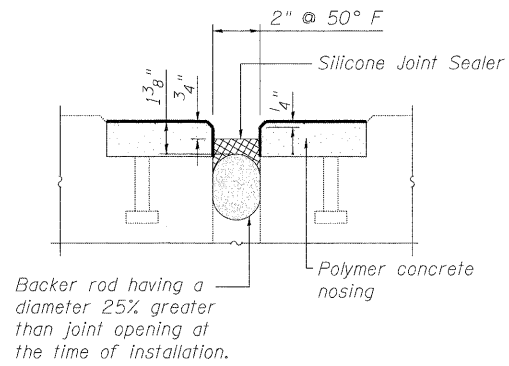


STATE OF ILLINOIS
DEPARTMENT OF TRANSPORTATION



NEOPRENE EXPANSTION JOINT REMOVAL

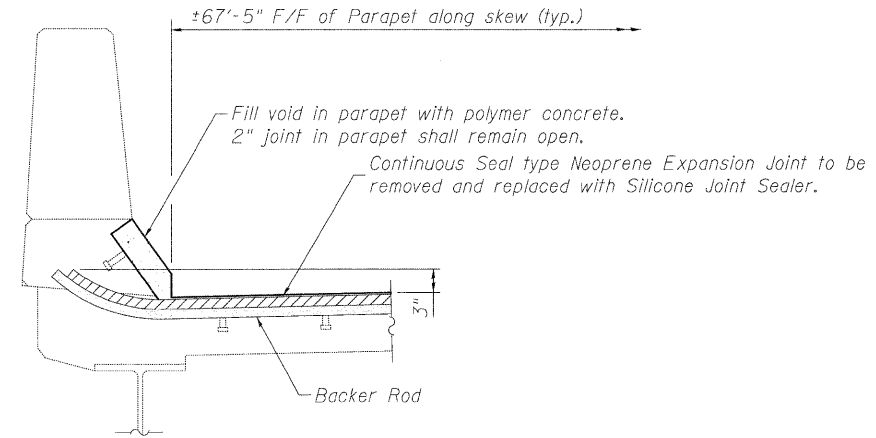


SILICONE JOINT SEALER REPLACEMENT

SECTION A-A

Note:

The cost of removing the existing Neoprene Expansion Joint and grinding the existing anchor bolts shall be included in the cost of Silicone Joint Sealer, 2".



SECTION B-B

JOINT REPLACEMENT DETAILS
FAI-80 OVER CICERO AVENUE

DESIGNED - CMV
CHECKED - SDS
DRAWN - DLH
CHECKED - CMV

WHKS & CO.
ENGINEERING
7018 KINGSMILL CT.,
SPRINGFIELD, IL
(217) 483-9457
DESIGN FIRM #184001036

*Section (95-5-1, ETC. 1819-824)RS-1

SHEET NO.	F.A.I. RTE.	SECTION	COUNTY	TOTAL SHEETS	SHEET NO.
2	80	*	COOK	80	40
2 SHEETS		SN 016-0074 & 0075		CONTRACT NO. 60F61	
FED. ROAD DIST. NO. _		ILLINOIS		FED. AID PROJECT	