

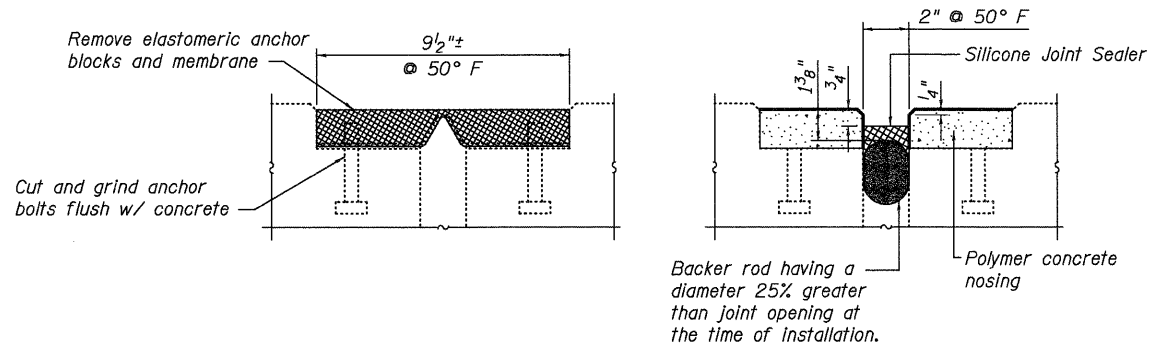
STATE OF ILLINOIS
DEPARTMENT OF TRANSPORTATION

GENERAL NOTES

Continuous Seal Neoprene Expansion Joint shall consist of molded anchor blocks of elastomer and steel, field assembled over continuous lengths of elastomeric membrane.
The elastomeric membrane shall be premolded with a single or a double upward convolution that will have a "memory" to return to its molded position upon joint closure.
The convolution length shall be such that the extended length will not be greater than the manufactured length when the joint is fully expanded in its design range and will not protrude above the anchor blocks when the joint is fully compressed.
The parapet and roadway membrane shall be made continuous by an approved vulcanizing process. Lapping will not be permitted.

INSTALLATION NOTES

- ① Install continuous seal in roadway, parapet, curb, and sidewalk.
- ② Install anchor blocks as indicated.

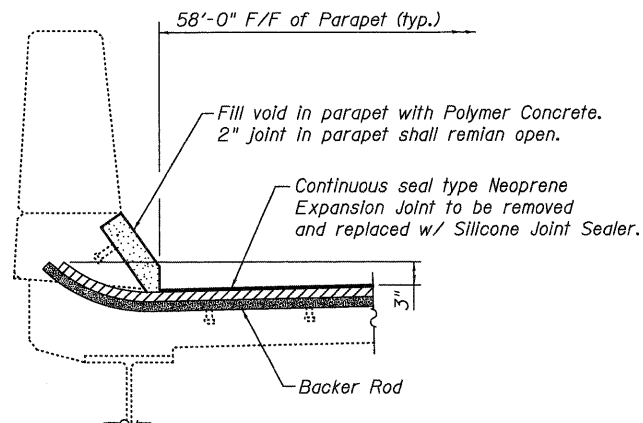


NEOPRENE EXPANSION JOINT REMOVAL

SILICONE JOINT SEALER REPLACEMENT

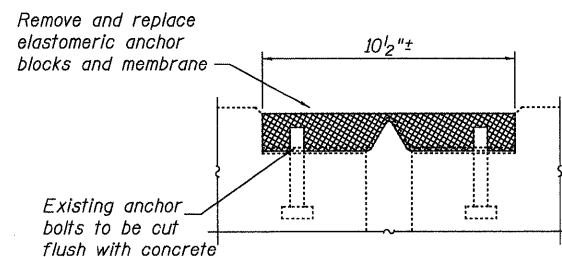
SECTION A-A

Note:
The cost of removing the existing Neoprene Expansion Joint and grinding the existing anchor bolts shall be included in the cost of Silicone Joint sealer, 2".



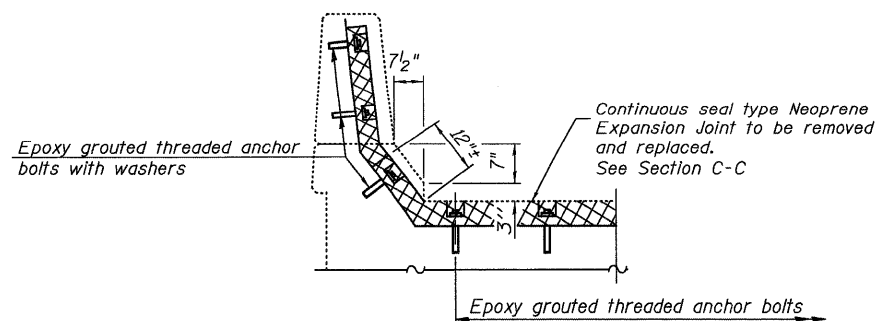
SECTION B-B

JOINT REPLACEMENT DETAILS - WEST ABUTMENT

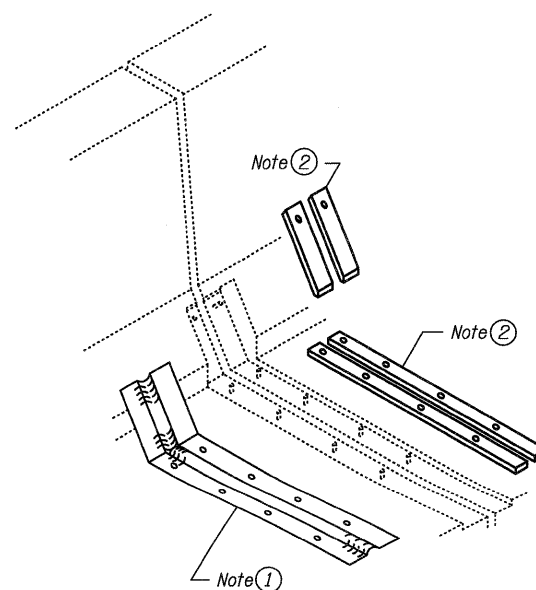


SECTION C-C

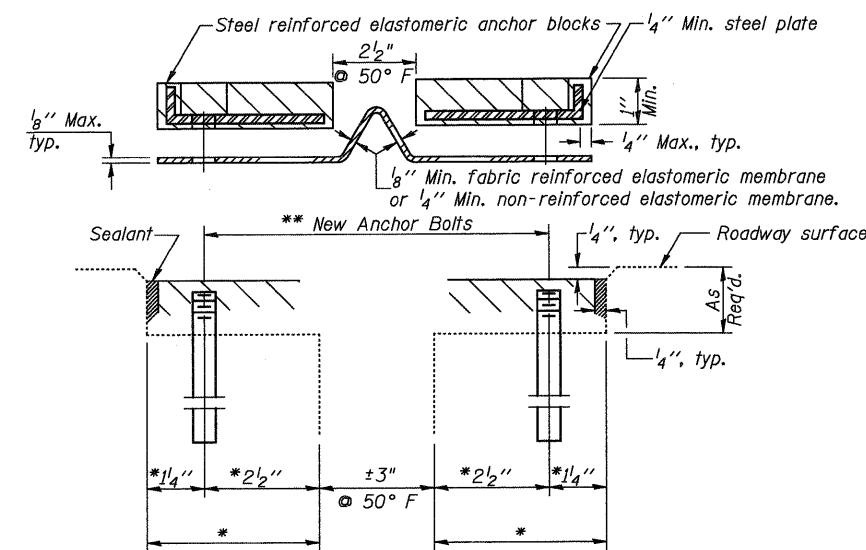
Note:
The cost of removing the existing Neoprene Expansion Joint shall be included in the cost of Neoprene Expansion Joint, 4".



SECTION AT PARAPET



AT PARAPET



CROSS SECTION

* Contractor shall verify joint dimensions prior to fabrication of elastomeric anchor blocks and membrane.
** New anchor bolts to be epoxy grouted in accordance with Article 584 of the Standard Specifications. Space anchors to miss existing anchor bolts. Cost included with Neoprene Expansion Joint, 4".

**JOINT REPLACEMENT DETAILS
FAI-80 OVER 175th STREET**

DESIGNED - CMV
CHECKED - SDS
DRAWN - DLH
CHECKED - CMV

WHKS & CO.
ENGINEERING
7018 KINGSMILL CT.,
SPRINGFIELD, IL
(217) 483-9457
DESIGN FIRM #184001036

JOINT REPLACEMENT DETAILS - EAST ABUTMENT

*Section (95-5-1, ETC, 189-824)RS-1

SHEET NO. 2	F.A.I. RTE.	SECTION	COUNTY	TOTAL SHEETS	SHEET NO.
2 SHEETS	80	*	COOK	80	42
SN 016-0076 & 0077			CONTRACT NO. 60F61		
FED. ROAD DIST. NO. - ILLINOIS FED. AID PROJECT					