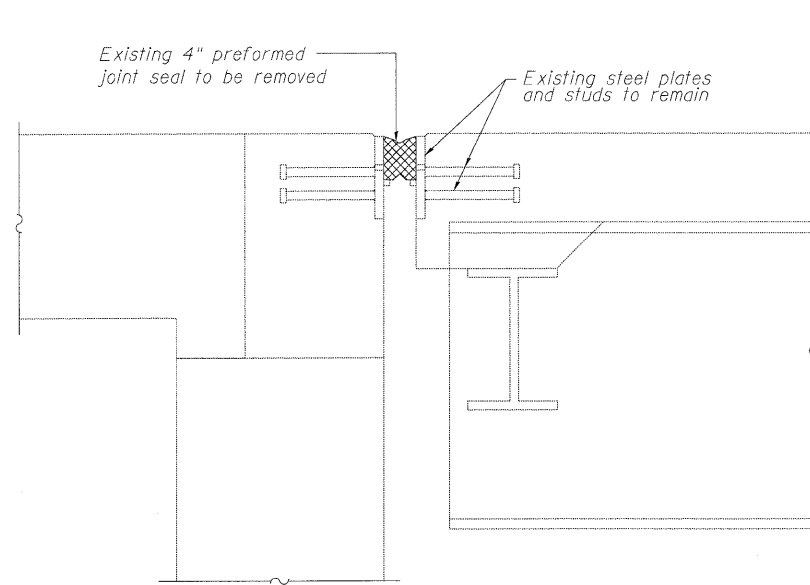
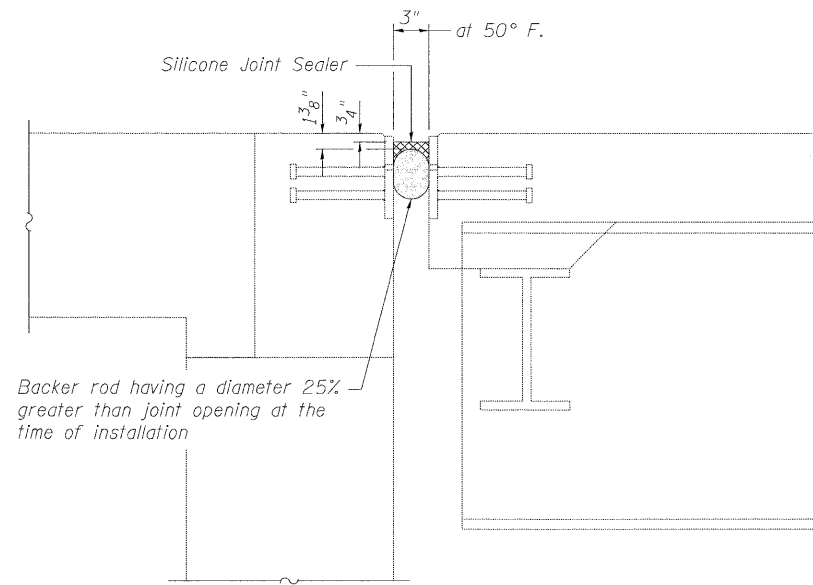


STATE OF ILLINOIS  
DEPARTMENT OF TRANSPORTATION



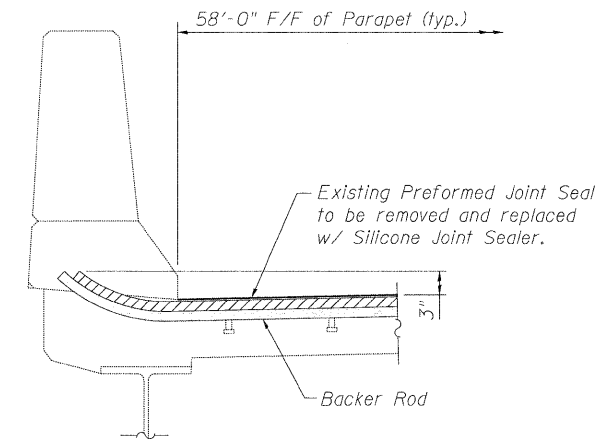
PREFORMED JOINT SEAL REMOVAL



SILICONE JOINT SEALER REPLACEMENT

SECTION A-A

Note:  
The cost of removal of the existing 4" Preformed Joint Seal shall be included in the cost of Silicone Joint Sealer, 3".



SECTION B-B

JOINT REPLACEMENT DETAILS  
FAI-80 OVER KEDZIE AVENUE

DESIGNED - CMV
CHECKED - SDS
DRAWN - DLH
CHECKED - CMV

**WHKS & CO.**  
ENGINEERING  
7018 KINGSMILL CT.,  
SPRINGFIELD, IL  
(217) 483-9457  
DESIGN FIRM #184001036

\*Section (95-5-1, ETC, 189-824)RS-1

SHEET NO.	F.A.I. RTE.	SECTION	COUNTY	TOTAL SHEETS	SHEET NO.
2	80	*	COOK	80	44
2 SHEETS		SN 016-0078 & 0079		CONTRACT NO. 60F61	
FED. ROAD DIST. NO. _ ILLINOIS FED. AID PROJECT					