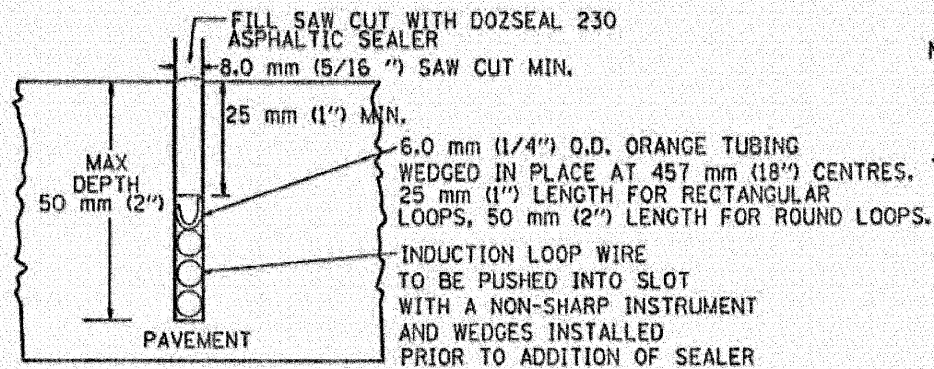
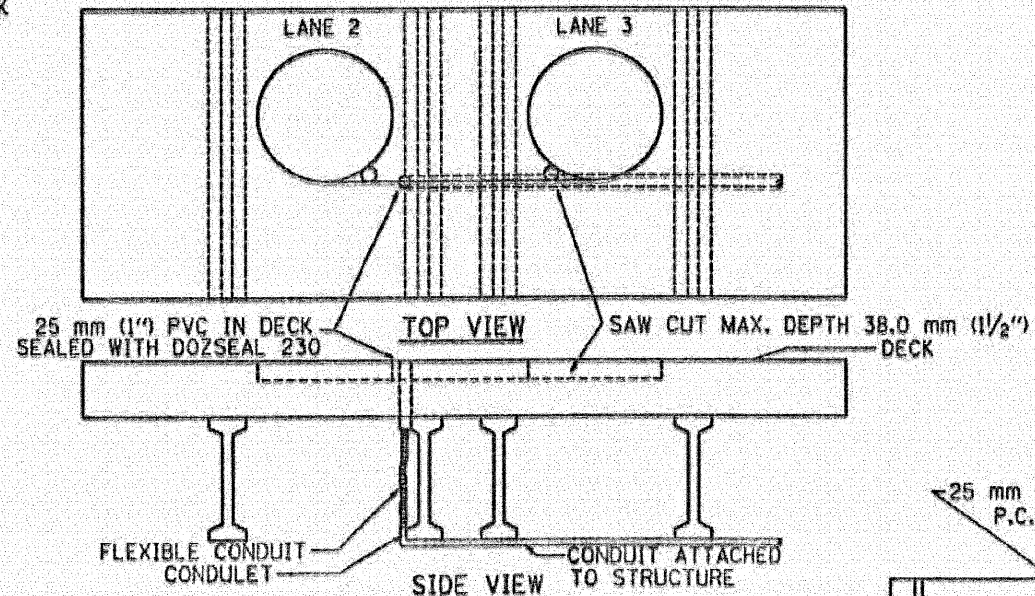
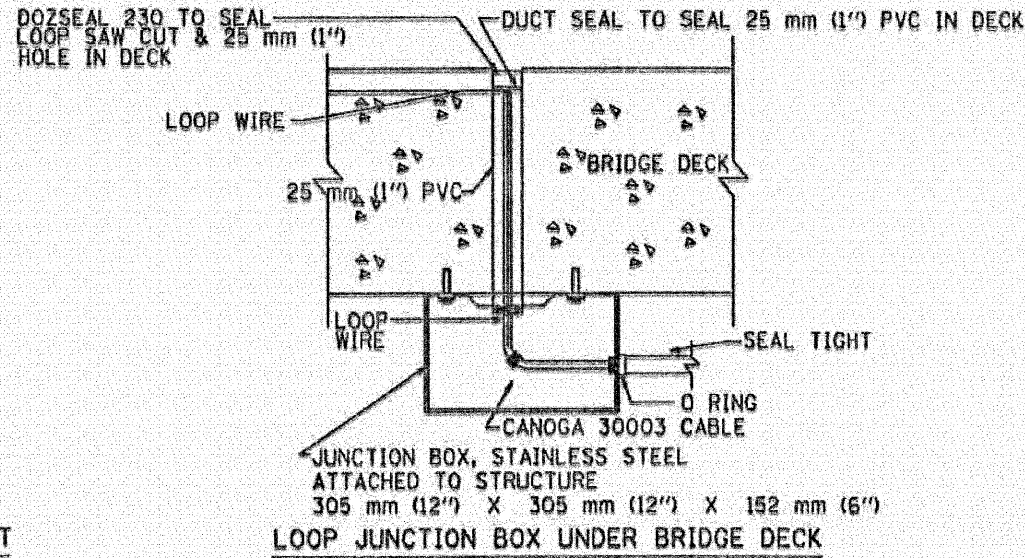
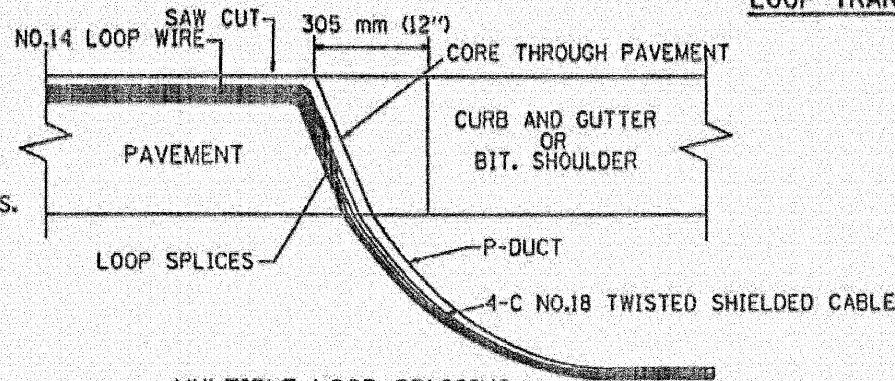


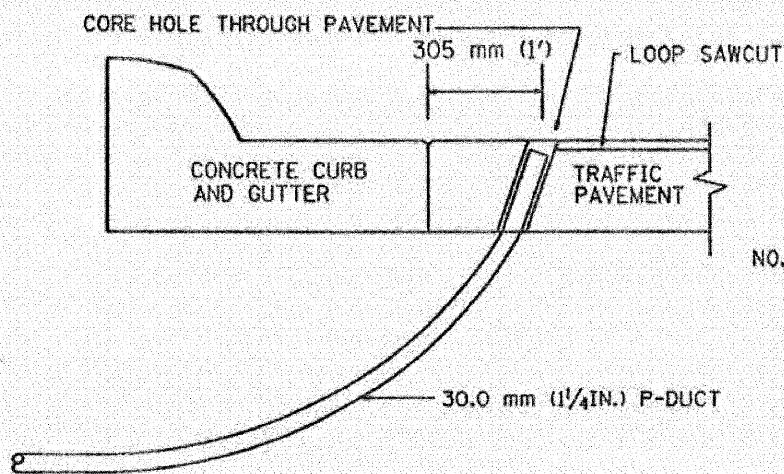
TYPICAL LOOP SAWCUT LAYOUT



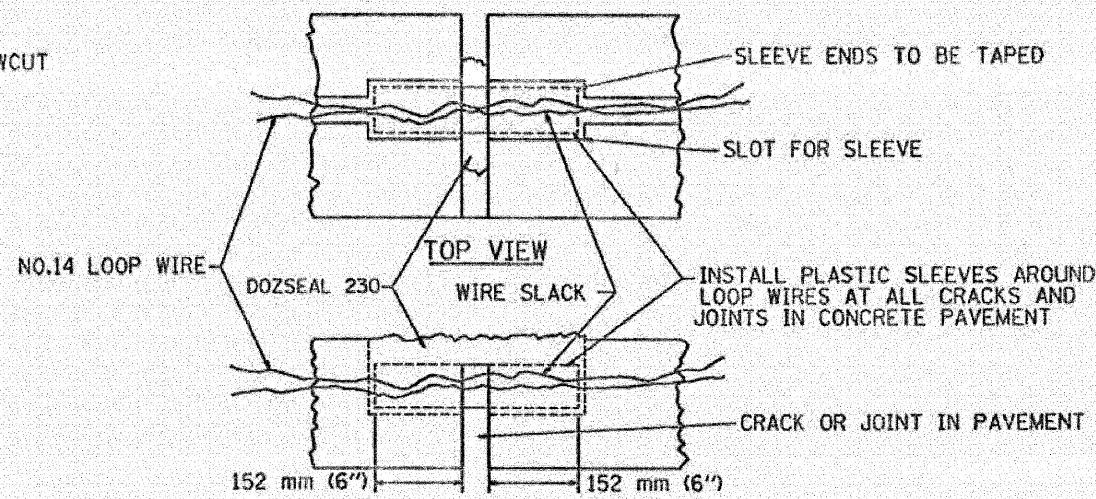
LOOP CROSS SECTION IN PAVEMENT



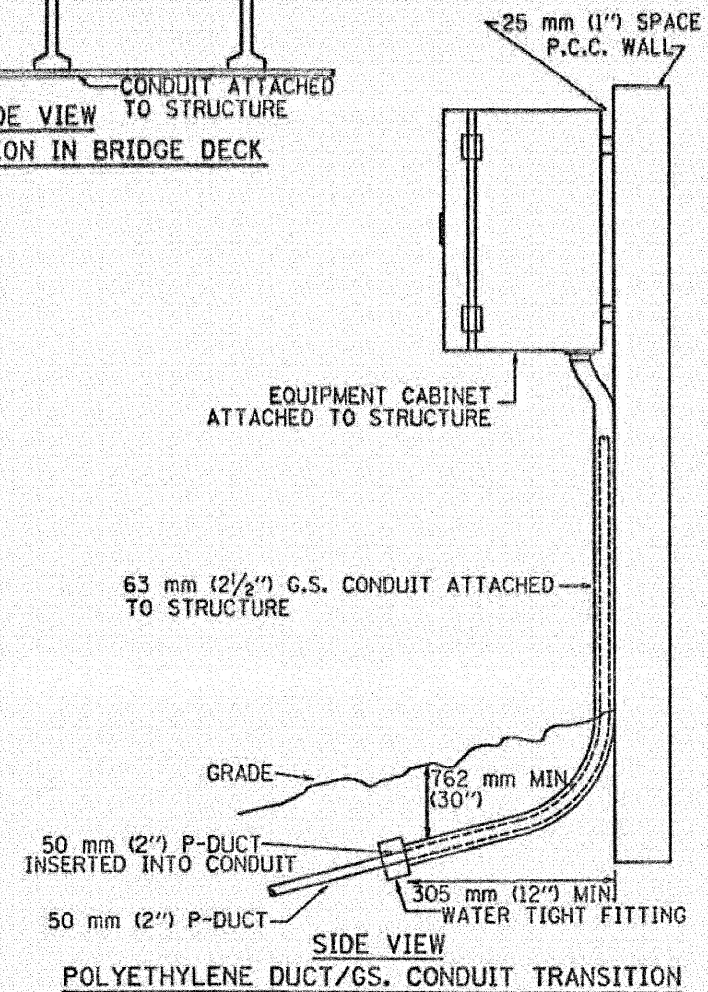
MULTIPLE LOOP SPLICING



SIDE SECTION LOOP LEAD-IN TRANSITION DETAIL



SIDE SECTION PAVEMENT CRACK TRANSVERSE SLEEVE



SIDE VIEW POLYETHYLENE DUCT/GS. CONDUIT TRANSITION

REVISIONS	
NAME	DATE
R.L.	5/91
R.L.	3/95
T.C.	11/95
R.L.	05/96
T.C.	10/96