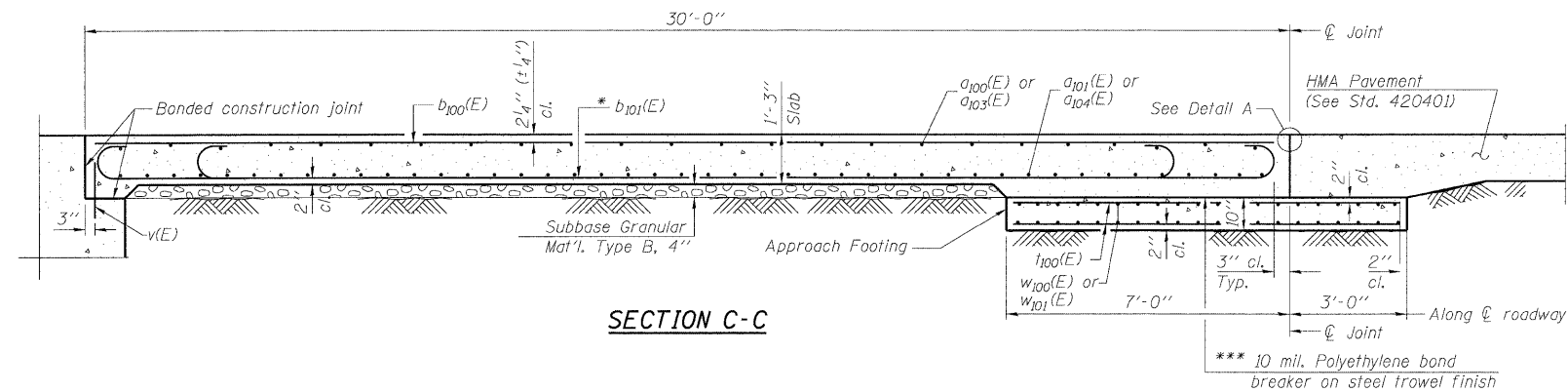


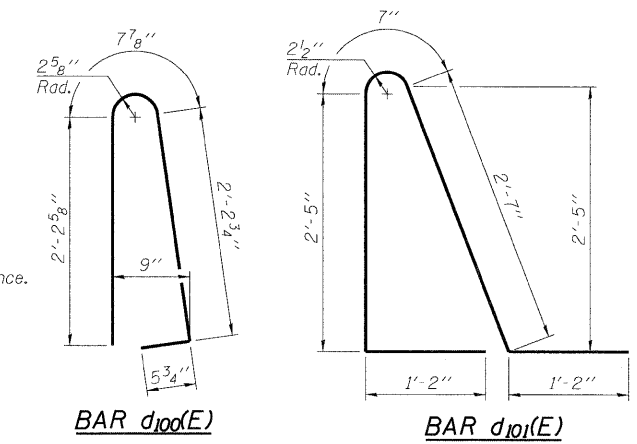
STATE OF ILLINOIS
DEPARTMENT OF TRANSPORTATION



SECTION C-C

NOTES

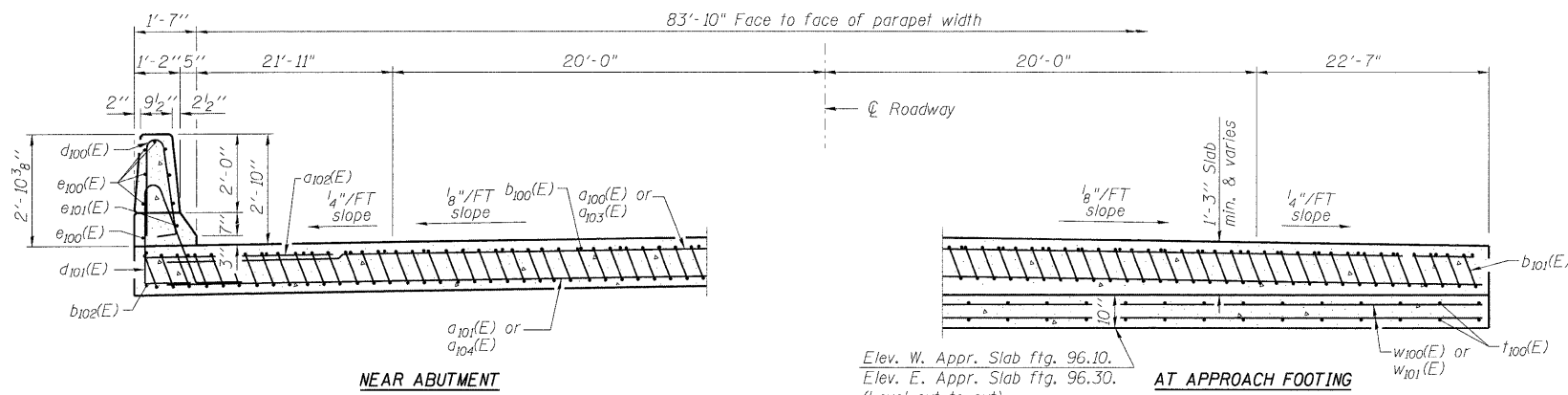
See sheet S9 of S15 for Detail A and View B-B.
Approach slab and parapet concrete shall be paid for as Concrete Superstructure.
Approach footing concrete shall be paid for as Concrete Structures.
Reinforcement shall be paid for as Reinforcement Bars, Epoxy Coated.
For v(E) bar details, see sheet S13 and S14 of S15.
The approach footing maximum applied service bearing pressure (Qmax) = 2.0 ksf.
For bar splicer details, see sheet S15 of S15.
Cost of excavation for approach footing included with Concrete Structures.



BAR d100(E)

BAR d101(E)

* Tilt #9 b101(E) bars as required to maintain clearance.
*** Cost included with Concrete Superstructure.



NEAR ABUTMENT

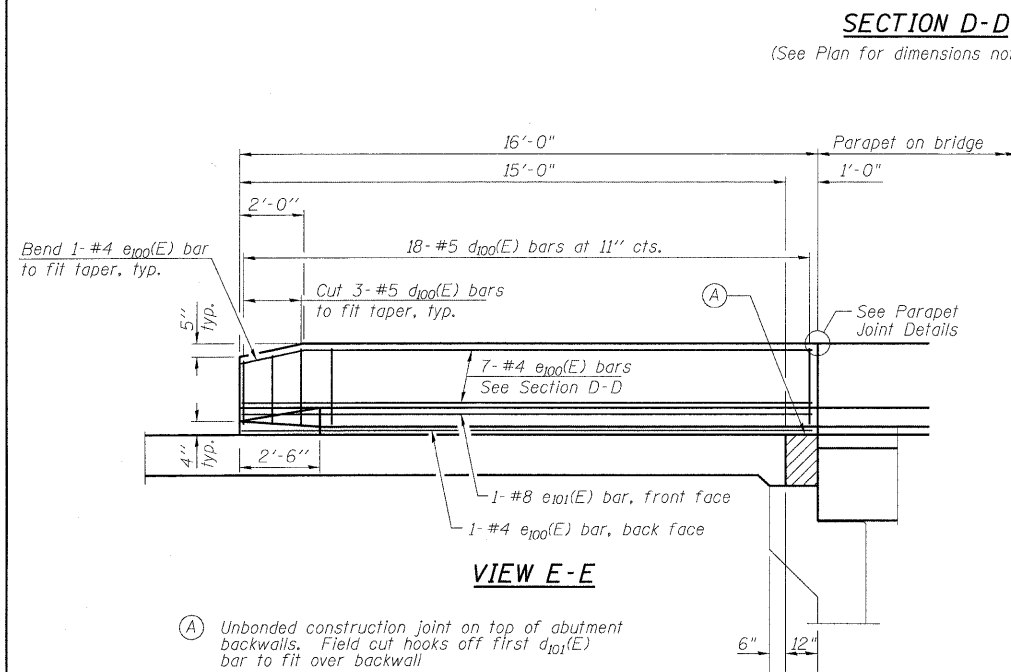
AT APPROACH FOOTING

TWO APPROACHES
BILL OF MATERIAL

Bar	No.	Size	Length	Shape
a100(E)	50	#4	47'-0"	—
a101(E)	92	#5	39'-0"	—
a102(E)	48	#6	6'-0"	—
a103(E)	50	#4	39'-0"	—
a104(E)	92	#5	47'-0"	—
b100(E)	136	#4	29'-8"	—
b101(E)	408	#9	29'-9"	—
b102(E)	4	#4	15'-8"	—
d100(E)	72	#5	5'-7"	U
d101(E)	72	#5	7'-11"	U
e100(E)	32	#4	15'-8"	—
e101(E)	4	#8	15'-8"	—
f100(E)	170	#4	9'-8"	—
w100(E)	40	#5	46'-1"	—
w101(E)	40	#5	38'-1"	—
Concrete Superstructure		Cu. Yd.	246	
Concrete Structures		Cu. Yd.	53	
Reinforcement Bars, Epoxy Coated		Pound	61690	
Bar Splicers		Each	222	
Subbase Granular Material, Type B		Cu Yd	49	

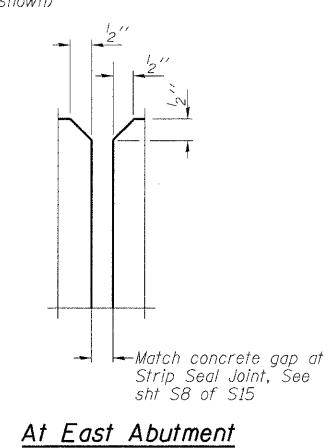
(Sheet 2 of 2)

BRIDGE APPROACH SLAB DETAILS
STRUCTURE NO. 016-2514

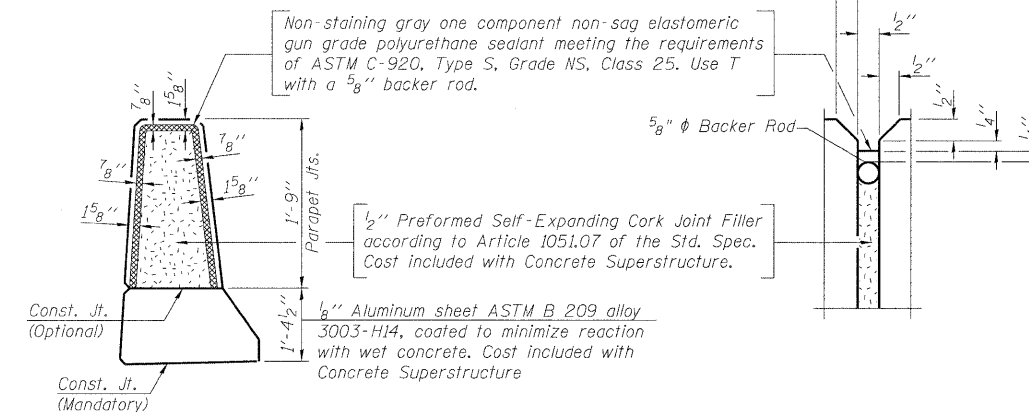


VIEW E-E

(A) Unbonded construction joint on top of abutment backwalls. Field cut hooks off first d101(E) bar to fit over backwall

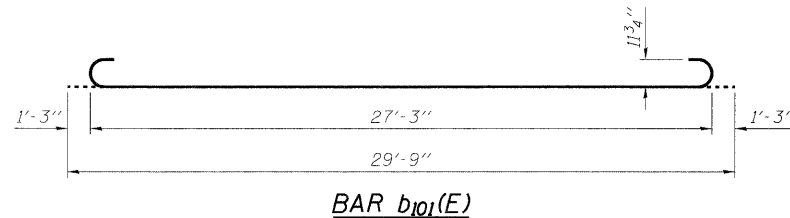


At East Abutment



At West Abutment

PARAPET JOINT DETAILS



BAR b101(E)

SHEET NO. S10	F.A.U. RTE.	SECTION	COUNTY	TOTAL SHEETS	SHEET NO.
1320	581 B-1	581 B-1	COOK	33	21
OF S15 SHEETS	D-91-288-09		CONTRACT NO. 60F91		
FED. ROAD DIST. NO. ILLINOIS FED. AID PROJECT					

DESIGNED	SLV
CHECKED	MJM
DRAWN	SLV
CHECKED	MJM

LONGO, INC.
CONSULTING ENGINEERS
1560 WALL ST, SUITE 222
NAPERVILLE, ILLINOIS 60563 PH: (630) 577-9100