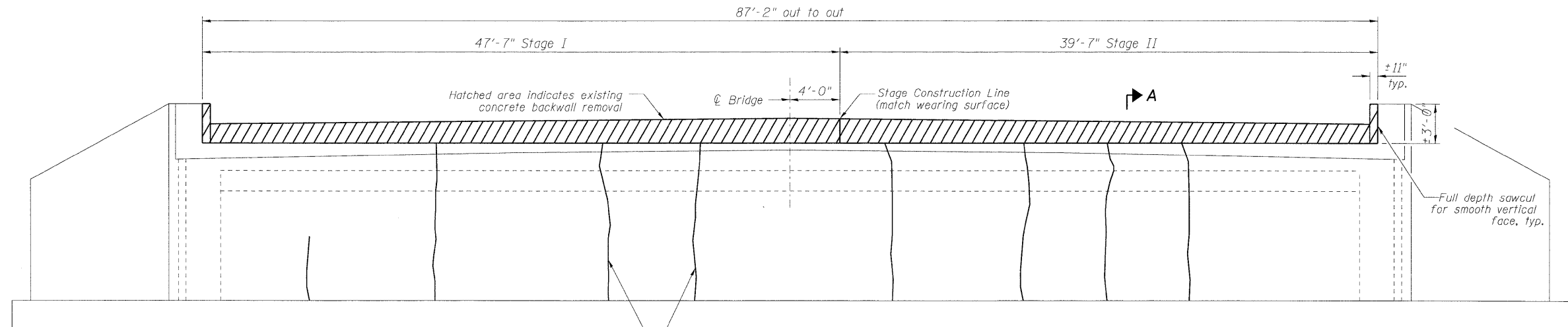
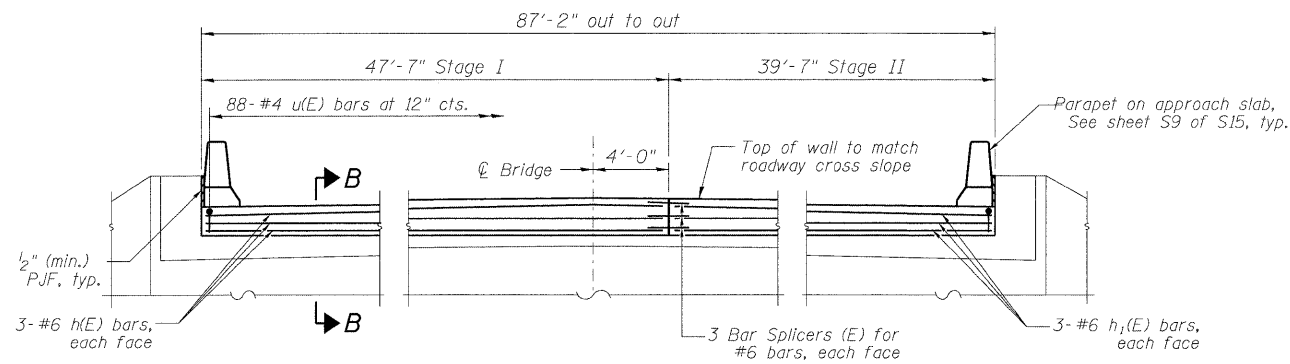


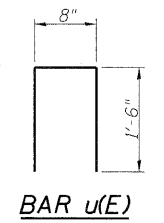
STATE OF ILLINOIS
DEPARTMENT OF TRANSPORTATION



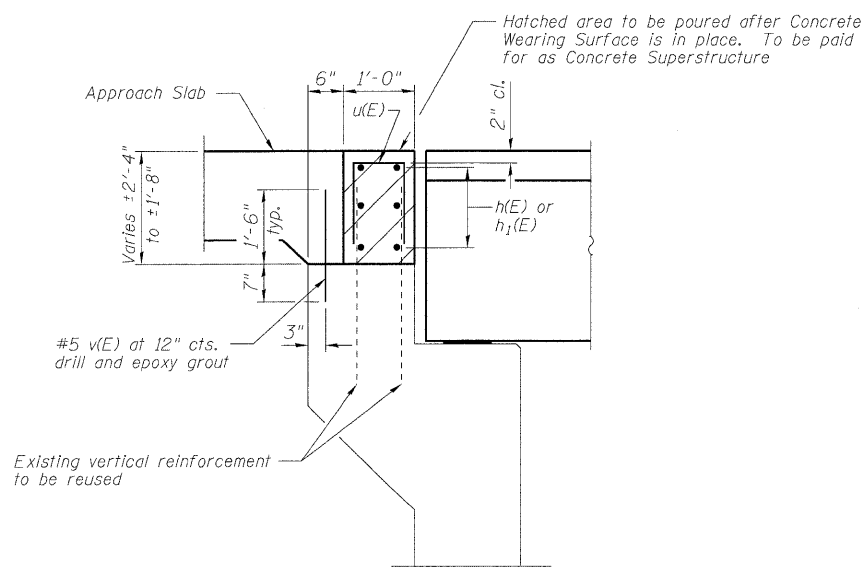
**ELEVATION - REMOVAL AND REPAIR
(LOOKING EAST)**



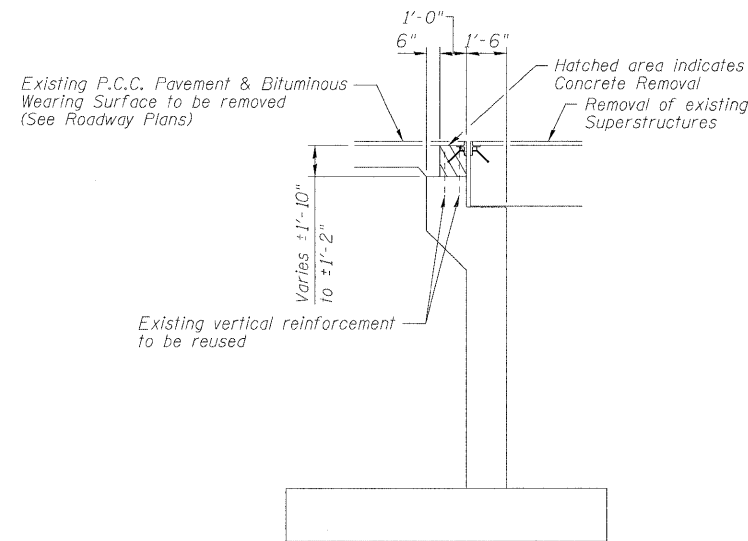
**PROPOSED ELEVATION
(LOOKING EAST)**



BAR u(E)



SECTION B-B



SECTION A-A

BILL OF MATERIAL

Bar	No.	Size	Length	Shape
h(E)	6	#6	47'-1"	—
h ₁ (E)	6	#6	39'-1"	—
u(E)	88	#4	3'-8"	□
v(E)	88	#5	2'-1"	—
Concrete Removal			Cu. Yd.	5.5
Concrete Superstructure			Cu. Yd.	6.5
Bar Splicers			Each	6
Epoxy Crack Injection			Foot	92
Reinforcement Bars, Epoxy Coated			Pound	1180

NOTES

Existing reinforcement shall be cleaned, straightened (if required) and incorporated into the new construction. Cost included with Concrete Removal.
Existing reinforcement bars which have lost 25% or more of their original diameter shall be supplemented by new epoxy coated bars of the same diameter. New bars shall be drilled and epoxy grouted in place adjacent to the original bars, as directed by the Engineer.
Drilling and epoxy grouting of reinforcement bars shall be in accordance with Article 584 of the Standard Specifications.
Removal of the existing joint system is included with Concrete Removal

DESIGNED	SLV
CHECKED	MJM
DRAWN	SLV
CHECKED	MJM

LONGO, INC.
CONSULTING ENGINEERS
1560 WALL ST., SUITE 222
NAPERVILLE, ILLINOIS 60563 PH: (630) 577-9100

**EAST ABUTMENT DETAILS
STRUCTURE NO. 016-2514**

SHEET NO. S14 OF S15 SHEETS	F.A.U. RTE. 1320	SECTION 581 B-1	COUNTY COOK	TOTAL SHEETS 33	SHEET NO. 25
	D-91-288-09		CONTRACT NO. 60F91		
FED. ROAD DIST. NO. ILLINOIS FED. AID PROJECT					