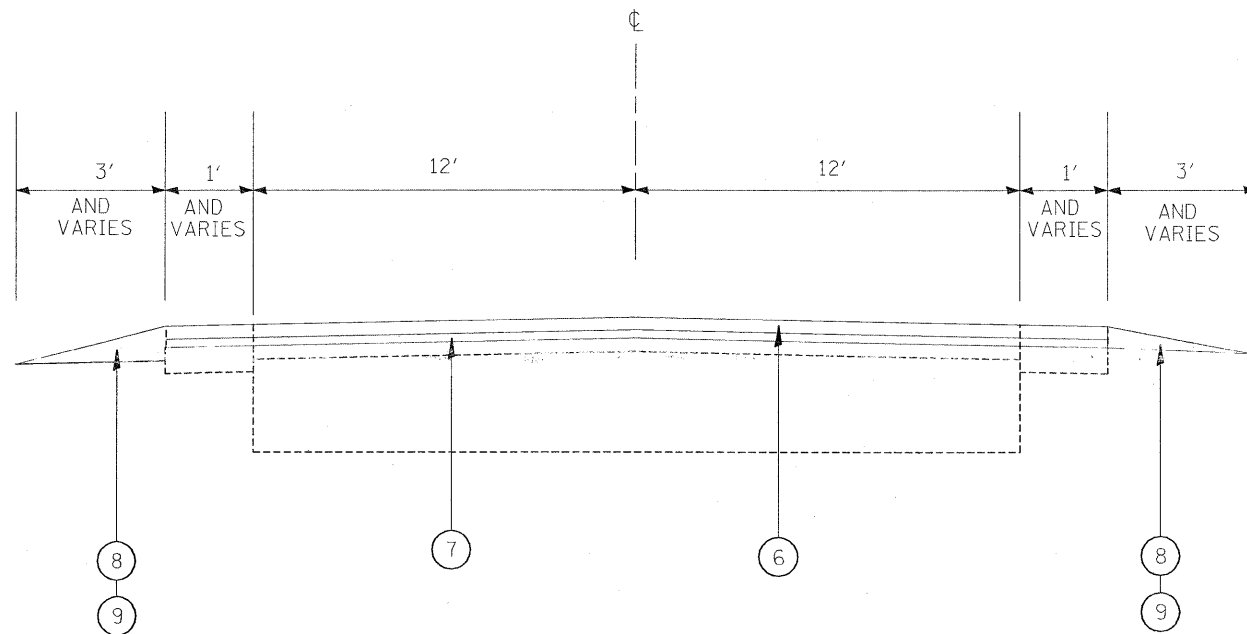


LAKE-COOK ROAD
 EXISTING TYPICAL SECTION
 STA. 10+12 TO STA. 171+00
 STA. 182+00 TO STA. 235+58



LAKE-COOK ROAD
 PROPOSED TYPICAL SECTION
 STA. 10+12 TO STA. 171+00
 STA. 182+00 TO STA. 235+58

LEGEND

- ① EXISTING HOT-MIX ASPHALT SURFACE, 5 1/4" (+/-)
- ② EXISTING P.C.C. BASE COURSE, 9" (+/-)
- ③ EXISTING COMBINATION CONCRETE CURB & GUTTER, TYPE B-6.12
- ④ EXISTING AGGREGATE SHOULDER
- ⑤ PROPOSED HOT-MIX ASPHALT SURFACE REMOVAL, 2 1/4"
- ⑥ PROPOSED HOT-MIX ASPHALT SURFACE COURSE, MIX "D", N70, 1 1/2"
- ⑦ PROPOSED POLYMERIZED LEVELING BINDER (MACHINE METHOD), IL-4.5, N50, 3/4"
- ⑧ PROPOSED AGGREGATE WEDGE SHOULDER TYPE B
- ⑨ PROPOSED GRADING AND SHAPING SHOULDERS

MILLING TO BE DONE BEFORE PATCHING

HOT-MIX ASPHALT MIXTURE REQUIREMENTS		
MIXTURE TYPE	AC TYPE	AIR VOIDS(%)
PAVEMENT RESURFACING		
HOT-MIX ASPHALT SURFACE COURSE, MIX "D", N70 (IL-9.5MM)	PG 64-22	4% @ 70 GYR.
POLYMERIZED LEVELING BINDER (MM), IL-4.75, N50	SBS/SBR PG 76-28-22	4% @ 50 GYR.
PATCHING		
CLASS D PATCHES TYPE I, II, III, 9", HMA BINDER IL-19 MM	PG 64-22*	4% @ 70 GYR.

* WHEN RAP EXCEEDS 20%, THE NEW ASPHALT BINDER IN THE MIX SHALL BE PG 58-22.
 NOTE: THE UNIT WEIGHT USED TO CALCULATE ALL HOT-MIX ASPHALT SURFACE MIXTURE QUANTITIES IS 112 LBS/SQ YD/IN.