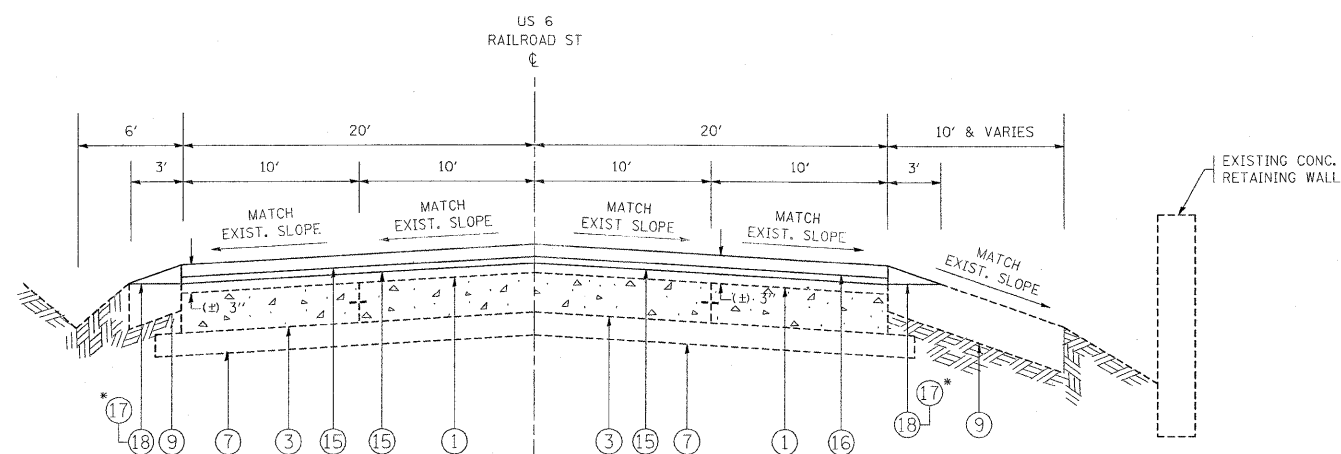


US 6 (RAILROAD ST)
EXISTING TYPICAL SECTION
STA. 222+56 TO STA. 273+54



US 6 (RAILROAD ST)
EXISTING TYPICAL SECTION
STA. 222+56 TO STA. 273+54

LEGEND

- ① EXISTING HMA SURFACE COURSE, (±) 3"
- ② EXISTING HMA SURFACE COURSE, (±) 6-1/2"
- ③ EXISTING PCC PAVEMENT, (±) 9"
- ④ EXISTING PCC PAVEMENT, (9"-7"-9")
- ⑤ EXISTING PCC MEDIAN SURFACE, 4"
- ⑥ EXISTING HMA BASE COURSE, (±) 10-1/2"
- ⑦ EXISTING SUB-BASE GRANULAR MATERIAL, TYPE B, 4"
- ⑧ EXISTING HMA SHOULDER, (±) 8"
- ⑨ EXISTING AGGREGATE SHOULDER, TYPE B, 8"
- ⑩ EXISTING STABILIZED DRIVEWAY, 10"
- ⑪ EXISTING COMB. CONC. CURB & GUTTER, TYPE B-6.24
- ⑫ PROPOSED COMB. CONC. C&G REMOVAL AND REPLACEMENT
- ⑬ PROPOSED PCC MEDIAN SURFACE, 4"
- ⑭ PROPOSED HMA SURFACE REMOVAL, 2-1/4"
- ⑮ PROPOSED POLYMERIZED LEVELING BINDER (MM), IL-4.75, N50, 3/4"
- ⑯ PROPOSED HMA SURFACE COURSE, MIX "D", N70, 1-1/2"
- ⑰ PROPOSED AGGREGATE WEDGE SHOULDER, TYPE B
- ⑱ PROPOSED GRADING AND SHAPING OF SHOULDERS

NOTE:

* LOCATIONS TO BE DETERMINED IN THE FIELD BY THE ENGINEER

" THE CONTRACTOR SHALL PATCH FIRST BEFORE MILLING".
(STA. 97+60 TO STA. 167+01)
(STA. 177+12 TO STA. 180+73)
(STA. 222+56 TO STA. 273+54)

" THE CONTRACTOR SHALL MILL FIRST PRIOR TO PATCHING".
(STA. 167+01 TO STA. 177+12)
(STA. 180+73 TO STA. 212+50)
(STA. 221+06 TO STA. 222+56)
(STA. 212+50 TO STA. 221+06)

FILE NAME =	USER NAME = galbannb	DESIGNED -	REVISED -	STATE OF ILLINOIS DEPARTMENT OF TRANSPORTATION	US 6 (CHANNAHON RD/RAILROAD ST.) EXISTING AND PROPOSED TYPICAL SECTIONS	F.A. RTE.		SECTION	COUNTY	TOTAL SHEETS	SHEET NO.
ca:\pwork\pwork\DOT\GALBANNB\0140162\0175909-sht-plenudgn	PLOT SCALE = 50.0000' / IN.	DRAWN -	REVISED -			1-D-1-RS-3	WILL	34	10		
PLOT DATE = 6/26/2009	DATE -	CHECKED -	REVISED -			CONTRACT NO. 60H61					
						ILLINOIS FED. AID PROJECT					

* FAP 856/FAU 318