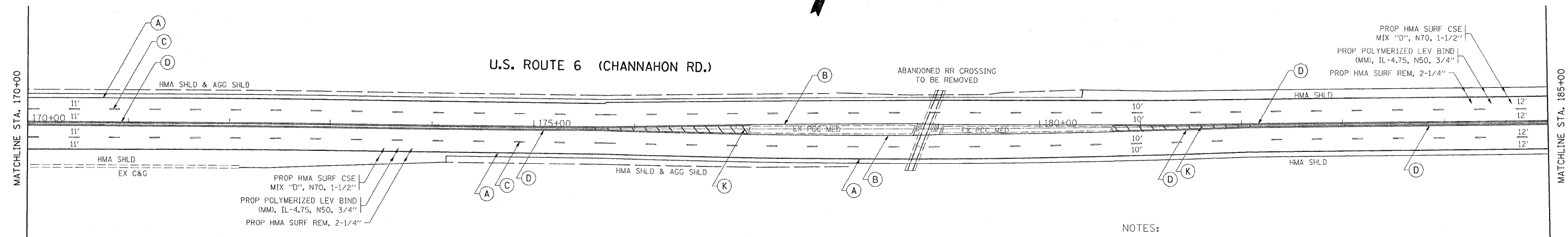


THERMOPLASTIC PAVEMENT MARKING LEGEND

- | | |
|--------------------------------------------------------------------------------------------|--------------------------------------------------------------------------------------------------------------------------------------------------|
| (A) THERMOPLASTIC PAVEMENT MARKING 4" SOLID WHITE, EDGE LINE (TYPICAL) | (F) THERMOPLASTIC PAVEMENT MARKING 8" SOLID WHITE WITH 12" DIAGONALS @ 45° (TYPICAL) |
| (B) THERMOPLASTIC PAVEMENT MARKING 4" SOLID YELLOW, MEDIAN EDGE LINE (TYPICAL) | (G) THERMOPLASTIC PAVEMENT MARKING LETTERS & SYMBOLS, WHITE (TYPICAL) |
| (C) THERMOPLASTIC PAVEMENT MARKING 4" WHITE SKIP-DASH (10' DASH, 30' SKIP) (TYPICAL) | (H) THERMOPLASTIC PAVEMENT MARKING 12" SOLID WHITE SHOULDER DIAGONAL @ 45° (75' C-C FOR 45 MPH) (TYPICAL) |
| (D) THERMOPLASTIC PAVEMENT MARKING 4" DOUBLE YELLOW, 2 @ 11" C-C (TYPICAL) | (I) THERMOPLASTIC PAVEMENT MARKING 24" SOLID WHITE, STOP BAR (TYPICAL) |
| (E) THERMOPLASTIC PAVEMENT MARKING 6" SOLID WHITE, TURN LANE LINE (TYPICAL) | (J) THERMOPLASTIC PAVEMENT MARKING 24" SOLID WHITE TRANSVERSE LINES; "RR" IS 6" LETTERS; 16" LINE FOR "X" (RAILROAD CROSSING) (TYPICAL) |
| | (K) THERMOPLASTIC PAVEMENT MARKING 12" SOLID YELLOW (RT. 45° DIAGONALS @ 20' C-C) |



NOTES:

PAVEMENT MARKING SHALL BE THERMOPLASTIC OF THE EXTRUDED TYPE AND SHOULD BE PLACED IN ACCORDANCE WITH THE DISTRICT ONE "TYPICAL PAVEMENT MARKING DETAILS".

RAISED REFLECTIVE PAVEMENT MARKERS SHALL BE IN ACCORDANCE WITH THE DISTRICT ONE "TYPICAL APPLICATION RAISED REFLECTIVE PAVEMENT MARKERS DETAILS".

THE RESIDENT ENGINEER SHALL CONTACT Ms. CORA MATHIS, TRAFFIC FIELD ENGINEER AT (847) 715-8428 A MINIMUM OF TWO WEEKS PRIOR TO THE PLACEMENT OF ANY PERMANENT MARKINGS.

| | | | | | | | | | | |
|------------------------------------------------------|-----------------------------|------------|-----------|-----------------------------------------------------------|-------------------------------------------------------------------------------------------------|---------------------------|---------|--------|-----------------|--------------|
| FILE NAME = | USER NAME = galbannb | DESIGNED - | REVISED - | STATE OF ILLINOIS DEPARTMENT OF TRANSPORTATION | U.S. ROUTE 6 (CHANNAHON RD./RAILROAD ST.) TERRY RD. TO U.S. ROUTE 52 (McDONOUGH ST.) | F.A. RTE. | SECTION | COUNTY | TOTAL SHEETS | SHEET NO. |
| ca:\pwork\p1001\GALBANNB\0140102\0175909\sh:plan.dgn | PLOT SCALE = 50.0000' / IN. | DRAWN - | REVISED - | | | 1-D-1-RS-3 | WILL | 34 | 13 | |
| PLOT DATE = 6/26/2009 | DATE - | CHECKED - | REVISED - | | | CONTRACT NO. 60H61 | | | | |
| | | DATE - | REVISED - | | | ILLINOIS FED. AID PROJECT | | | | |

• FAP 856/FAU 318

SCALE: SHEET NO. OF SHEETS STA. 155+00 TO STA. 185+00